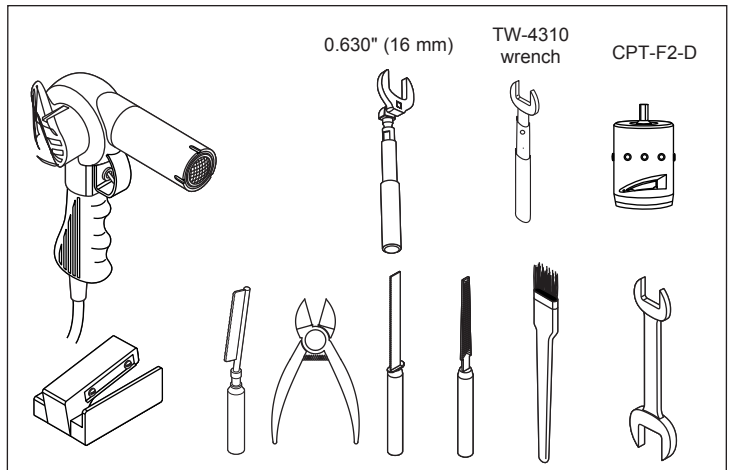
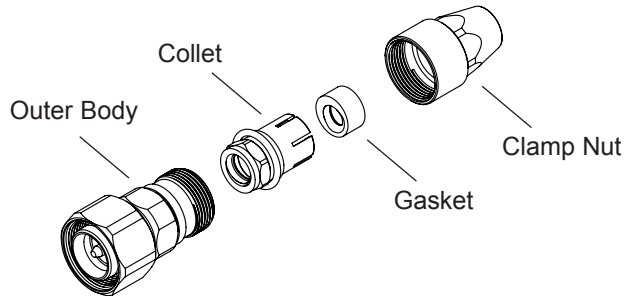


## F2HM-D Connector Installation

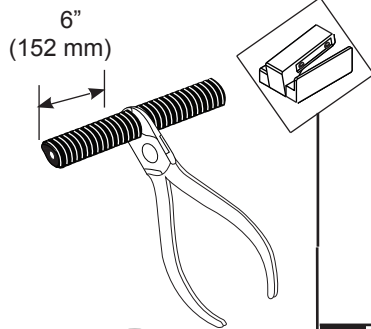
for HELIAX® FSJ2 Cables

Bulletin 7776592 Revision D Page 1 of 2

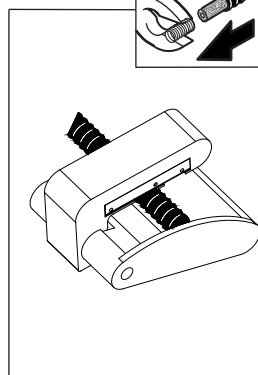
CommScope Infrastructure Academy offers installation training.



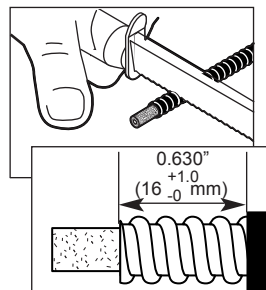
**1** Straighten the cable and cut the end square using cable cutter.



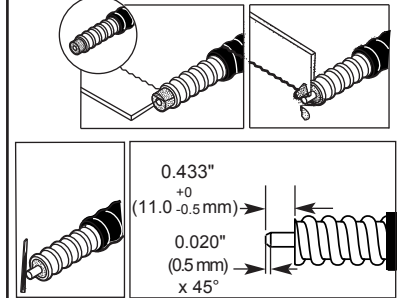
**2** Use MCPT-3812



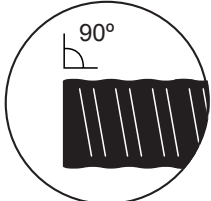
**3** Trim cable jacket.



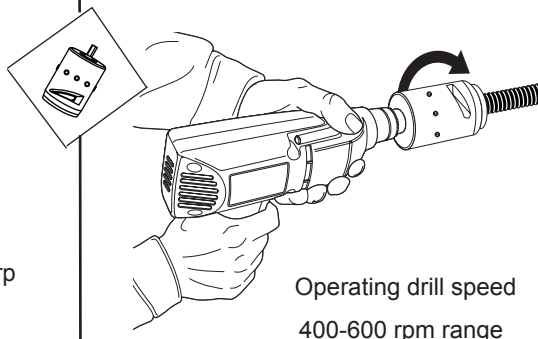
**4** Trim inner conductor, Remove foam and adhesive, taper inner conductor.



**2** Apply forward pressure until the tool bottoms out. Reverse tool to remove. Clean up residual foam, and adhesive from cable inner conductor & cable foam.

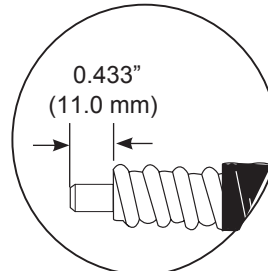


**WARNING**  
Outer conductor edges will be sharp



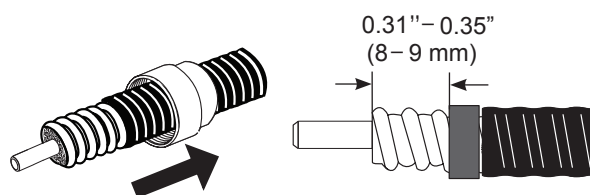
Prep tool Part Number:  
CPT-F2-D

**WARNING**  
No Floating Foam allowed

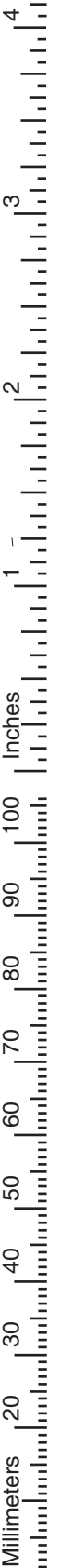
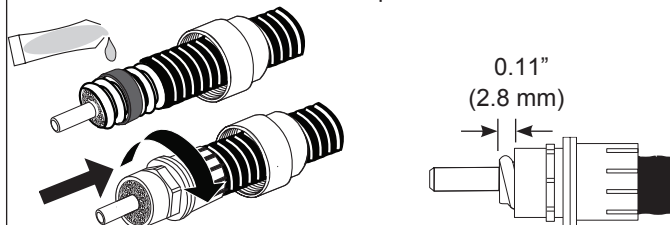


Floating Foam

**5** Slide clamping nut over the cable end. Then enlarge gasket and insert onto cable as dimension shown.



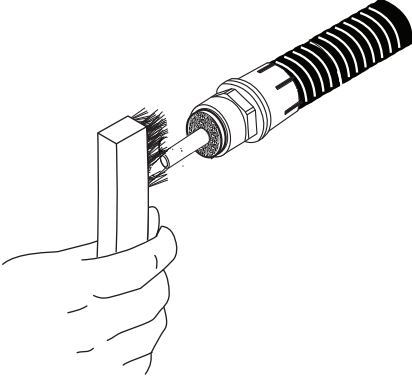
**6** Apply a thin layer of grease to the gasket. Slide the collet over the gasket until it stops, then thread onto the corrugations by 13 mm wrench on the collet flats rotating until 2.8 mm of outer extends past the face of the collet.



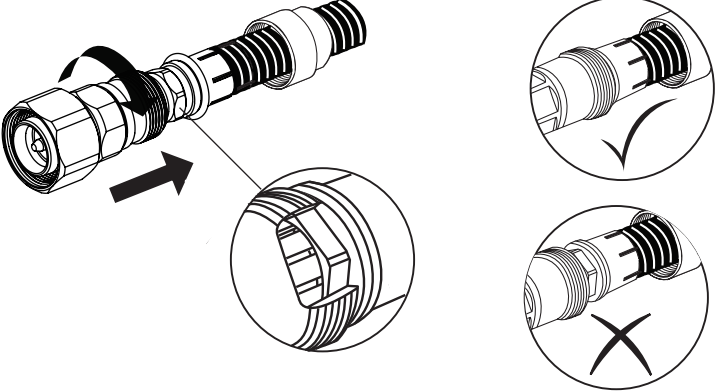
**F2HM-D Connector Installation**  
for HELIAX® FSJ2 Cables  
Bulletin 7776592 Revision D Page 2 of 2

CommScope Infrastructure Academy offers installation training.

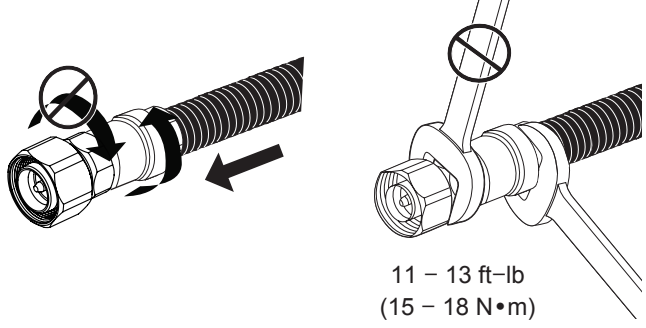
**7** Remove debris as shown.



**8** Slide the outer body over the collet and rotate slightly to align socket within the outer body with the hex edge on the collet. Push until fully engaged.



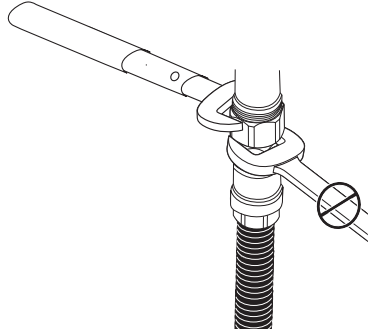
**9** Slide the clamping nut up to the outer body and tighten by hand by turning the clamping nut and holding the front body stationary. Complete the installation by tightening with torque and open ended wrenches.




11 – 13 ft-lb  
(15 – 18 N•m)

**10** Tighten the coupling nut to the proper torque specification.

Torque wrench  
Part Number:  
TW-4310



	表一 有毒有害物质或元素名称及含量标识格式					
	有毒有害物质或元素					
部件名称 (Part Name)	铅 (Pb)	汞 (Hg)	镉 (Cd)	六价铬 (Cr6+)	多溴联苯 (PBB)	多溴二苯醚 (PBDE)
连接器 (Connector)	X	O	O	O	O	O
<p>O: 表示有毒有害物质在该部件所有的均质材料中的含量均在SJ/T 11363-2006规定的限量要求以下。  X: 表示该有毒有害物质至少在该部件的某一均质材料中的含量超出SJ/T 11363-2006规定的限量要求。</p>						

**CommScope**  
1100 CommScope Place SE P.O. Box 339, Hickory, NC 28603-0339  
(828) 324-2200 (800) 982-1708  
www.commscope.com

**Customer Service 24 hours**  
North America: +1-800-255-1479 (toll free)  
Any country: +1-779-435-6500  
email: acicustomersupportcenter@commscope.com

Notice: CommScope disclaims any liability or responsibility for the results of improper or unsafe installation, inspection, maintenance, or removal practices.  
Aviso: CommScope no acepta ninguna obligación ni responsabilidad como resultado de prácticas incorrectas o peligrosas de instalación, inspección, mantenimiento o retiro.  
Avis: CommScope décline toute responsabilité pour les conséquences de procédures d'installation, d'inspection, d'entretien ou de retrait incorrectes ou dangereuses.  
Hinweis: CommScope lehnt jede Haftung oder Verantwortung für Schäden ab, die aufgrund unsachgemäßer Installation, Überprüfung, Wartung oder Demontage auftreten.  
Atenção: A CommScope abdica do direito de toda responsabilidade pelos resultados de práticas inadequadas e sem segurança de instalação, inspeção, manutenção ou remoção.  
Avvertenza: CommScope declina eventuali responsabilità derivanti dall'esecuzione di procedure di installazione, ispezione, manutenzione e smontaggio improprie o poco sicure.  
注意: CommScope 公司申明對於不恰當或不安全的安裝、檢驗、維修或拆卸操作所導致的後果不負任何義務和責任