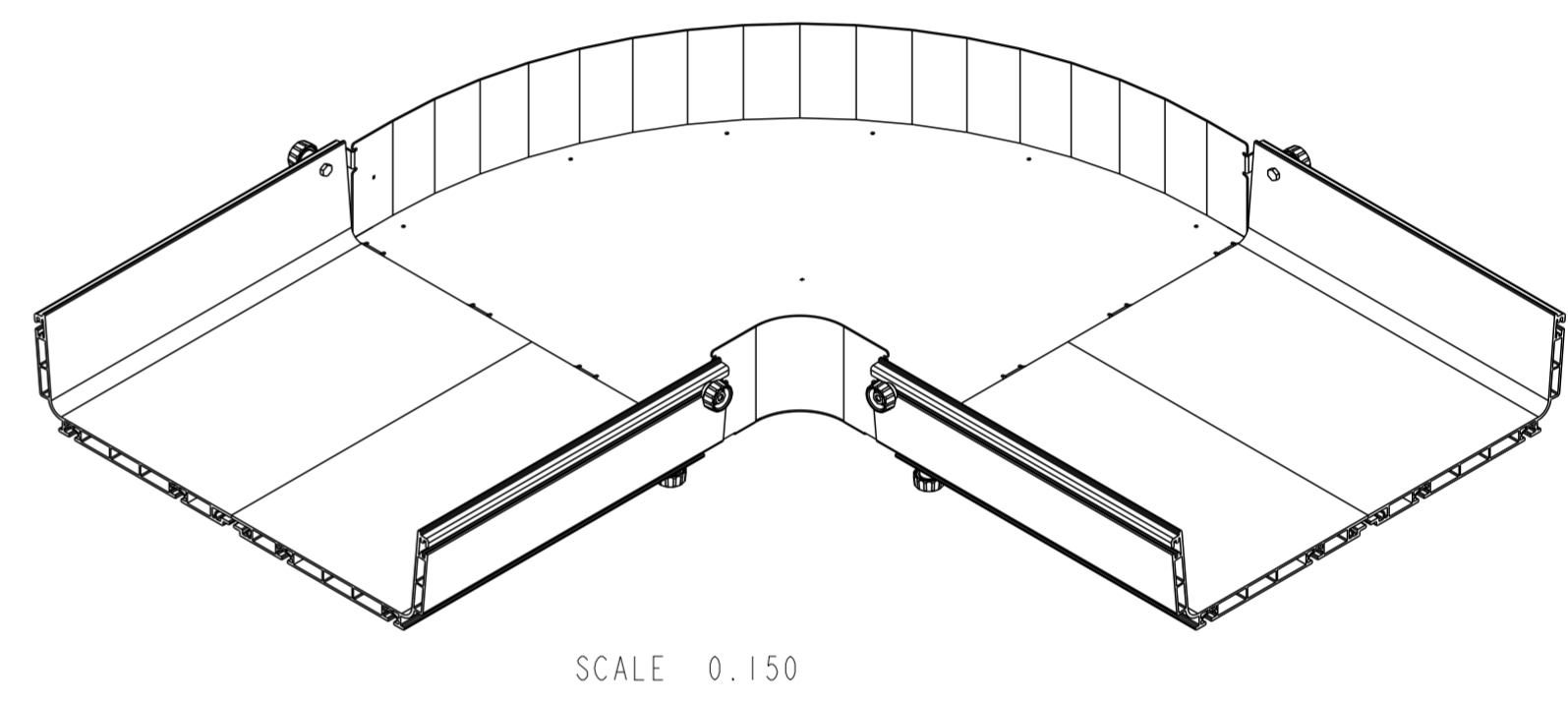
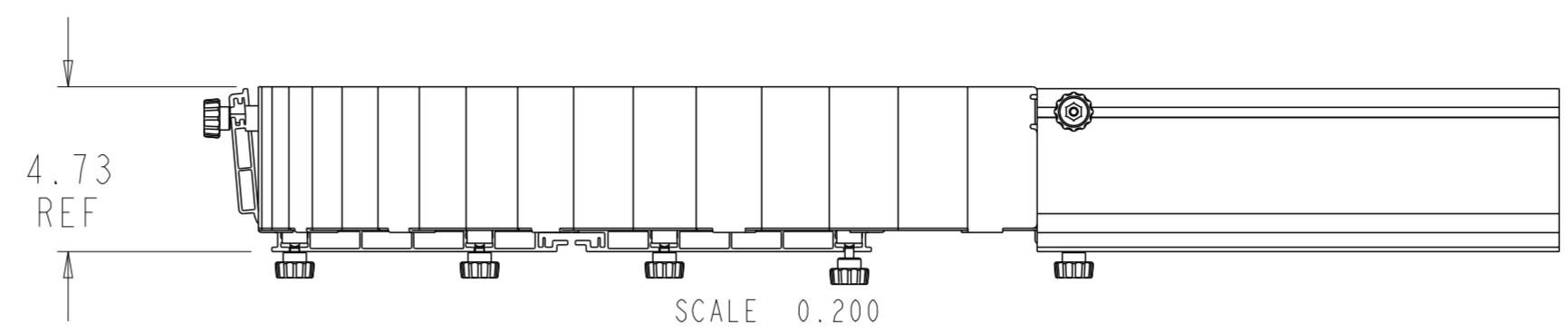
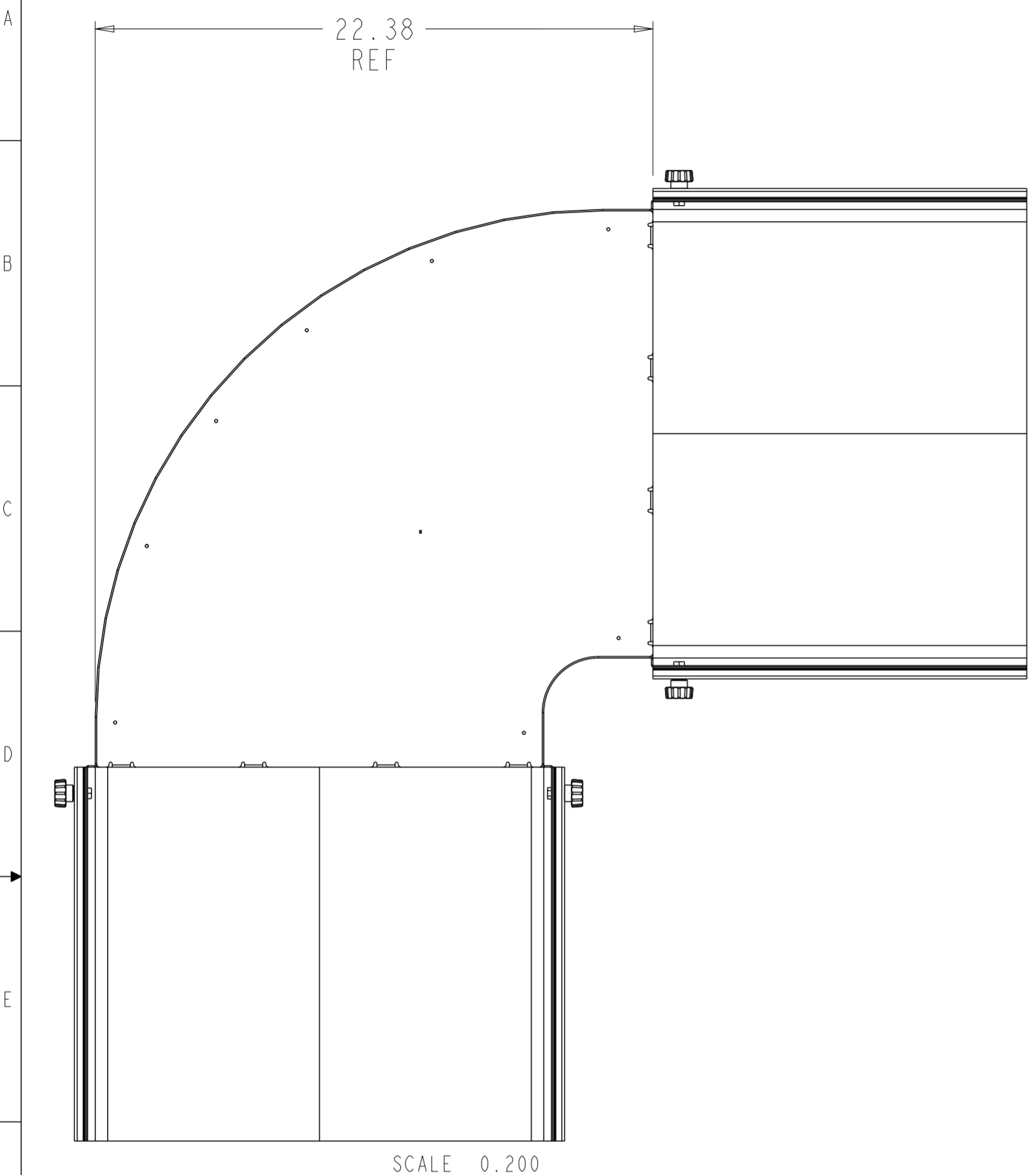


REVISIONS			
REV	CMO	DATE	APPROVED
A	40167343CMO	15-SEP-2023	JDG



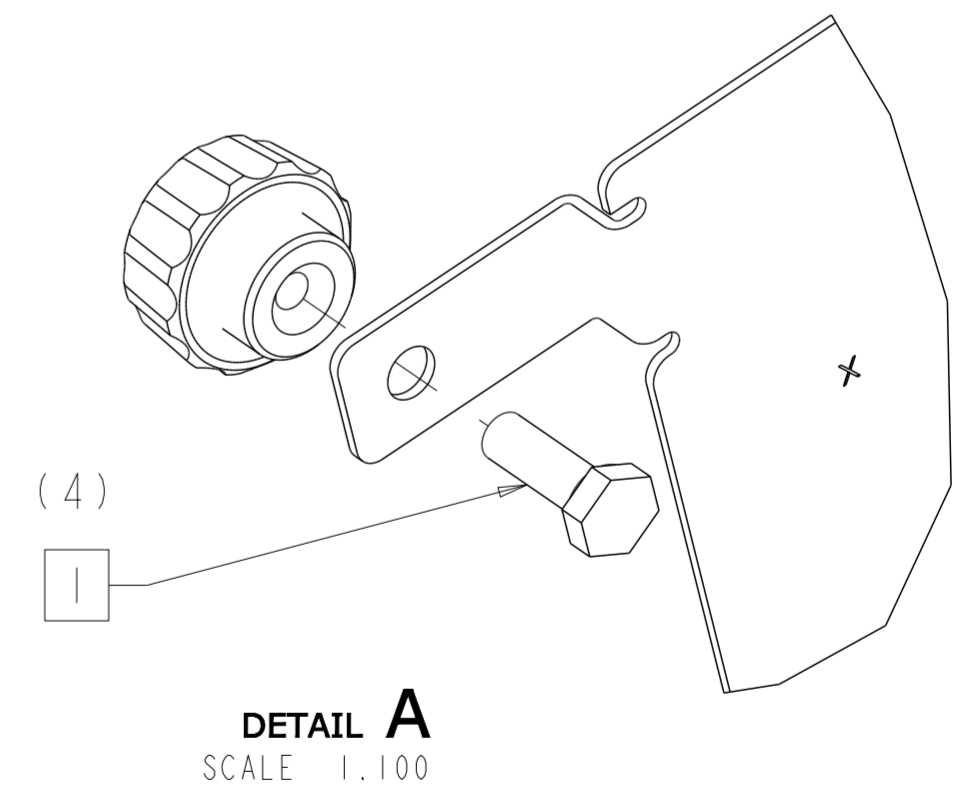
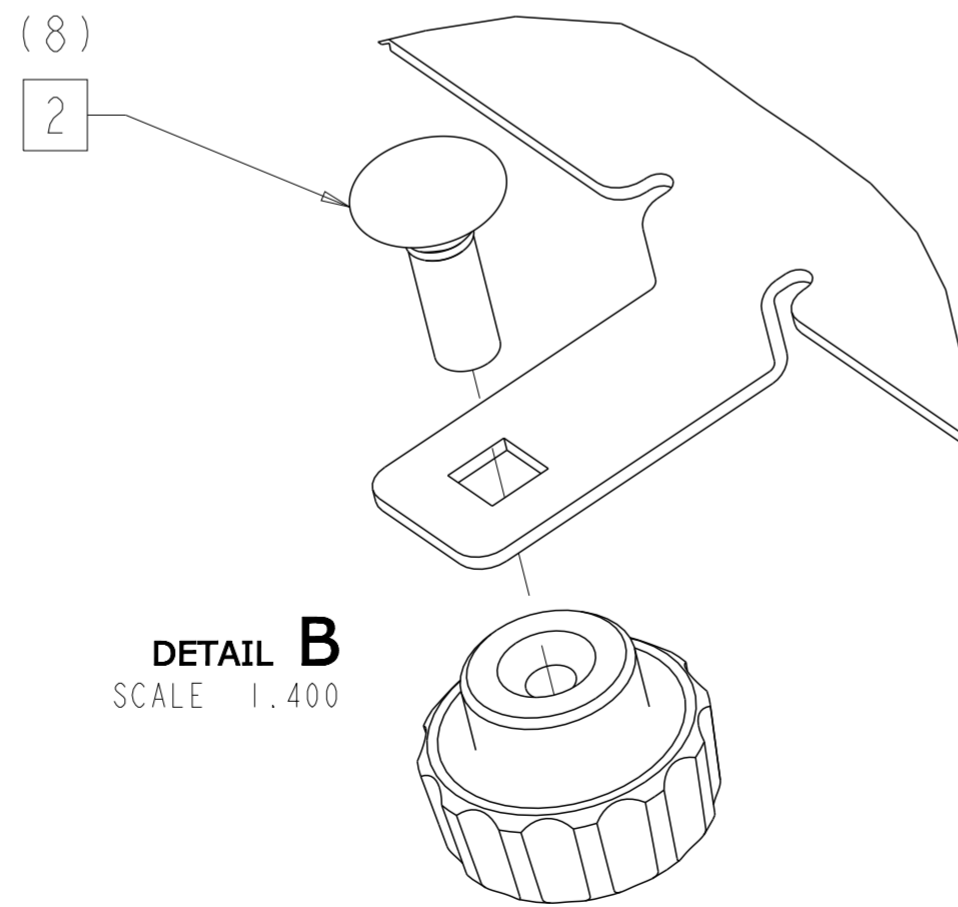
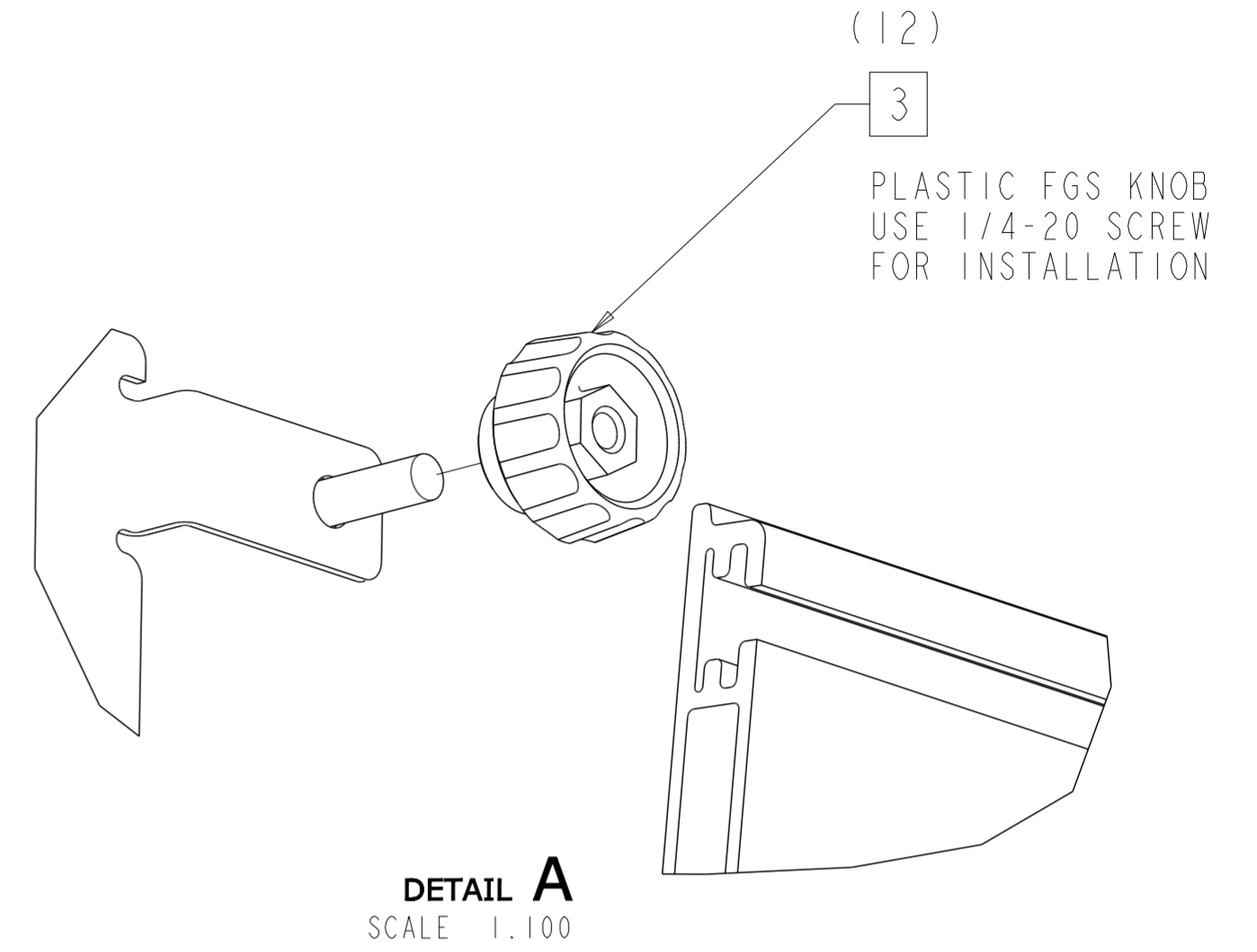
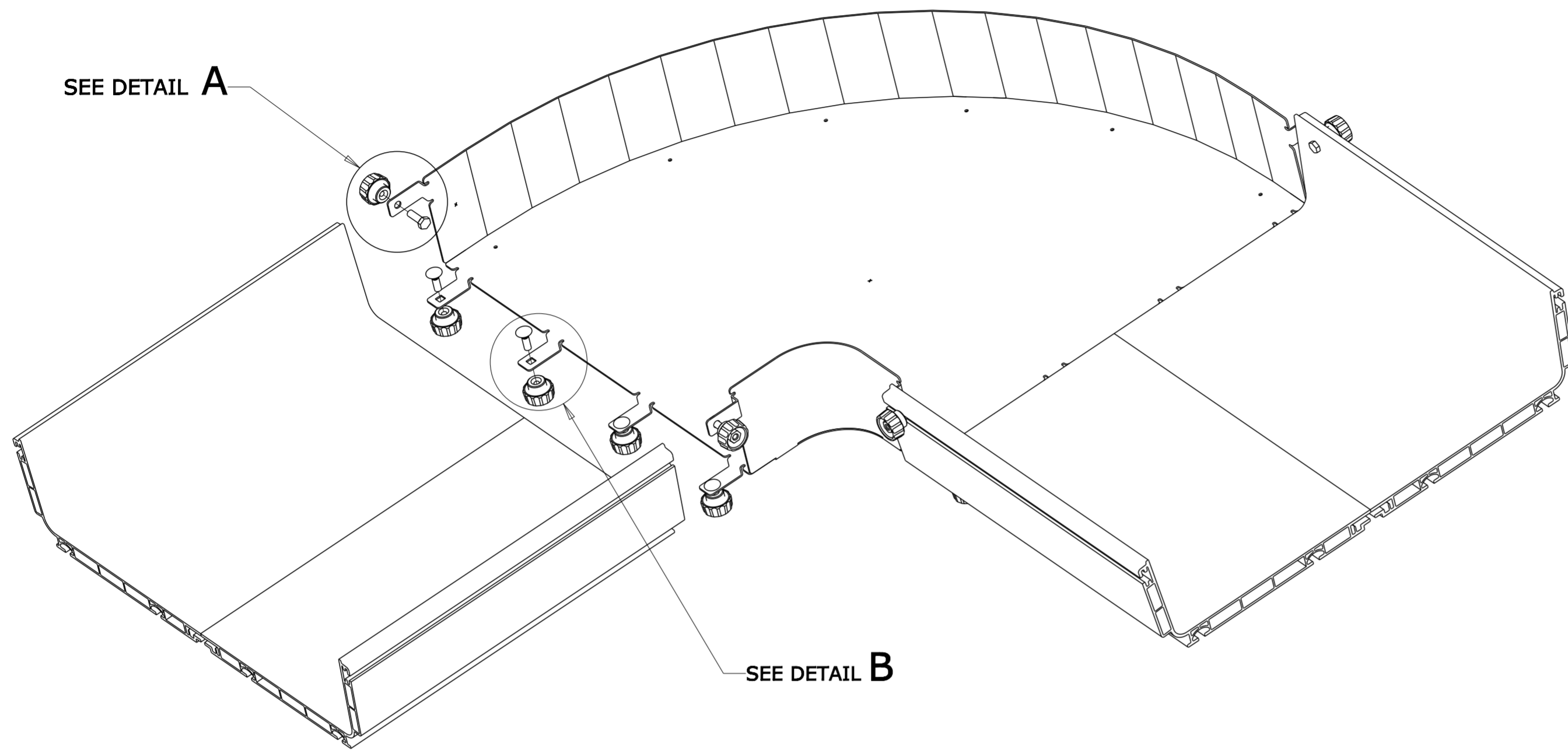
PART LIST	
DESCRIPTION	QTY
ELBOW 90 HORIZ, 4X18, YEL, WELD	1
KNOB, PLASTIC FGS	12
HEXAGONAL HEAD SCREW 1/4-20	4
ROUND HEAD SCREW 1/4-20	8

**ASSEMBLY INSTRUCTIONS:**

1. INSERT (4) HEXAGONAL HEAD SCREW 1/4-20 INTO THE WALL TAB HOLES ON THE ADAPTER, ONE SCREW PER TAB, WITH THE SCREW HEADS ON THE INSIDE OF THE ADAPTER. SEE DETAIL A.
2. INSERT (8) ROUND HEAD SCREW 1/4-20 INTO THE WALL TAB HOLES ON THE ADAPTER, ONE SCREW PER TAB, WITH THE SCREW HEADS ON THE INSIDE OF THE ADAPTER. SEE DETAIL B.
3. ASSEMBLY THE (12) PLASTIC KNOBS AND TIGHTEN THE KNOBS COMPLETELY
4. SLIDE THE TABS WITH THE ASSEMBLED SCREW COMPLETELY INTO THE T-CHANNELS ON THE 18" FIBERGUIDES STRAIGHT SECTIONS.

FGS-MH9E-M	YELLOW
<b>CATALOG NUMBER</b>	<b>COLOR</b>

<b>COMMSCOPE, INC.</b>			
DRAFTER JAVIER GARCIA		TITLE CD, ELBOW 90 HORIZ, 4X18, YEL, WELD INSTALLATION DRAWING	
ENGINEER RUBEN ARVILLA	SIZE A2	SCALE 0.091	DOCUMENT NO. <b>660106022</b>
CUSTOMER DRAWING			REVISION A
			SHEET 1 OF 2



<b>COMMSCOPE, INC.</b>			
DRAFTER JAVIER GARCIA	TITLE CD, ELBOW 90 HORIZ, 4X18, YEL, WELD INSTALLATION DRAWING		
ENGINEER RUBEN ARVILLA	SIZE A2	SCALE 0.091	DOCUMENT NO. <b>660106022</b>
CUSTOMER DRAWING			REVISION A
			SHEET 2 OF 2