

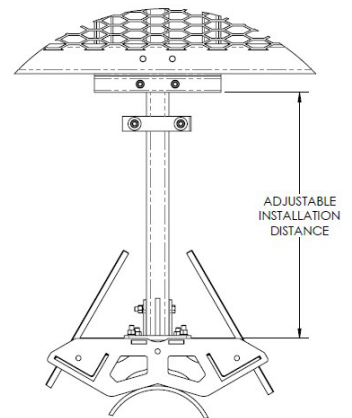
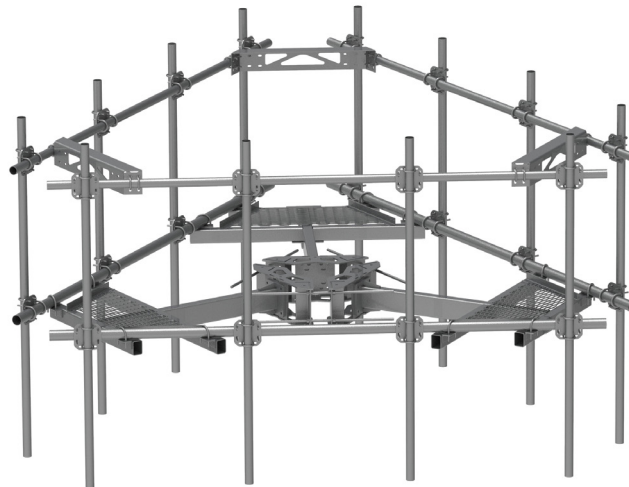
# Adjustable monopole platforms

CommScope announces the release of a new family of adjustable monopole platforms based on our popular MC-CP and MC-HP Series products. The new MC-CP-J and MC-HP-J platforms feature an innovative triangle that enables installers to maintain a consistent stand-off distance for the full range of monopole sizes ranging from 15 in to 50 in OD.

These new monopole platform kits are available in either 12-foot or 14-foot face width options, with sturdy double U-bolt pipe connections. The custom over-the-platform setup increases load ratings, and the overall design results in a lower EPA to reduce tower loading.

## FEATURES

- Adjustable distance triangles enable maintaining same stand-off distance for monopoles 15 in to 50 in OD
- MC-CP-J = Platform + Top Rail
- MC-HP-J = Platform + Top Rail + Kicker
- 12 ft and 14 ft face width options
- Double U-bolt cross over connections
- Over-the-platform setup increases load ratings
- Lower EPA than legacy designs



## Ordering information

Part number	Description
<b>MC-CP Series</b>	MC-CP Series monopole platform and top rail kits
<b>MC-HP Series</b>	MC-HP Series monopole platform, kicker, and top rail kits

## Supporting information

Please contact your local CommScope representative or email [steelproducts@commscope.com](mailto:steelproducts@commscope.com) for more information.

[commscope.com](http://commscope.com)

Visit our website or contact your local CommScope representative for more information.

© 2023 CommScope, Inc. All rights reserved. CommScope and the CommScope logo are registered trademarks of CommScope and/or its affiliates in the U.S. and other countries. For additional trademark information see <https://www.commscope.com/trademarks>. All product names, trademarks and registered trademarks are property of their respective owners.