

# TP-G238-72

---



Universal Tripod Mount, 2-3/8 in OD x 72 in pipe

## Product Classification

**Product Type** Tripod mount

## General Specifications

**Mounting** Surfaces

**Note** One 6 ft microwave antenna using 4-1/2 in pipe mast

**Pipe, quantity** 1

## Dimensions

**Height** 1,828.8 mm | 72 in

**Width** 1524 mm | 60 in

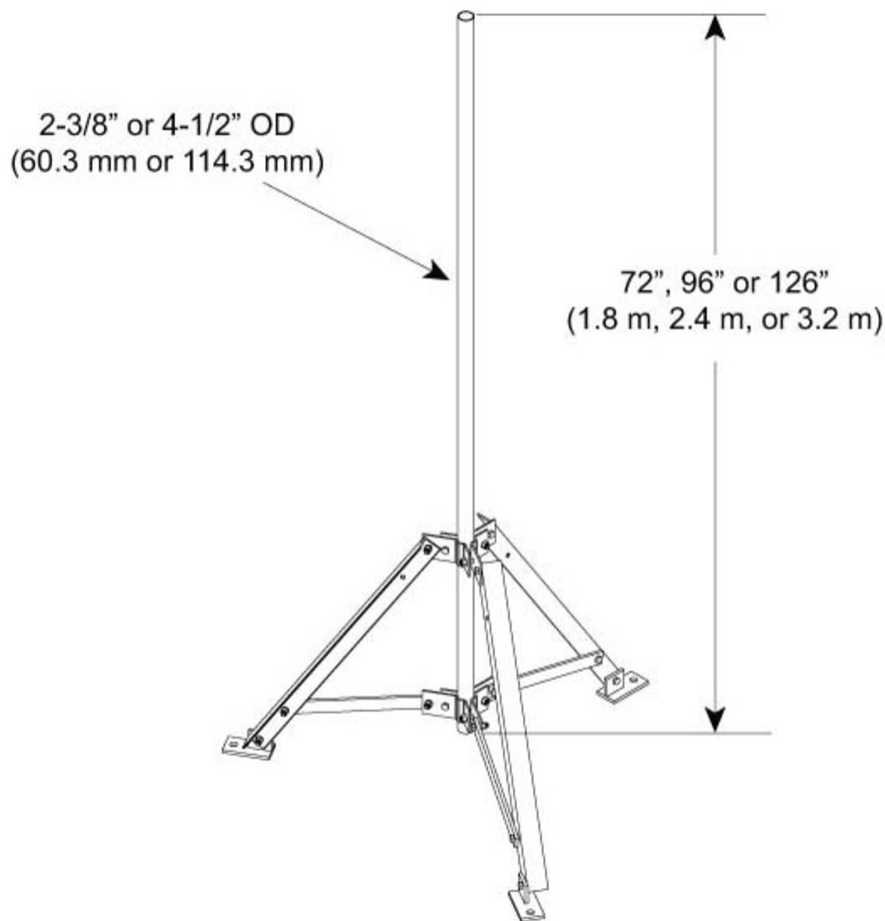
**Length** 1.524 m | 5 ft

**Pipe Length** 1,828.8 mm | 72 in

**Pipe Outer Diameter** 60.96 mm | 2.4 in

# TP-G238-72

## Outline Drawing



## Material Specifications

**Material Type** Hot dip galvanized steel

## Mechanical Specifications

**Wind Rating** 85 mph (BWS) at 100 ft AGL using Exposure C per UBC

**Wind Rating Test Method** TIA/EIA-222

## Packaging and Weights

**Included** Mount, with or without pipe

**Packaging quantity** 1

# TP-G238-72

---

**Weight, net** 61.6 kg | 135.805 lb

## Regulatory Compliance/Certifications

**Agency**

ISO 9001:2015



**Classification**

Designed, manufactured and/or distributed under this quality management system

## Included Products

- MT-651 - Plain End Pipe, 2-3/8 in OD x 72 in .120" A500C 46Ksi
- TP-G238-B - Universal Tripod Mount, base only, pipe not included

## \* Footnotes

**Wind Rating**

BWS—Base Wind Speed; FBC—Florida Building Code

# MT-651

---



Plain End Pipe, 2-3/8 in OD x 72 in .120" A500C 46Ksi

## Product Classification

**Product Type** Plain end pipe

## General Specifications

**Pipe, quantity** 1

## Dimensions

**Height** 60.96 mm | 2.4 in  
**Width** 60.96 mm | 2.4 in  
**Length** 1,828.8 mm | 72 in  
**Pipe Length** 1,828.8 mm | 72 in  
**Pipe Outer Diameter** 60.96 mm | 2.4 in  
**Material Thickness** 3.048 mm | 0.12 in

## Material Specifications

**Material Type** A500 | Hot dip galvanized steel  
**Material Grade** C  
**Material Strength** 46 kilopounds per square inch

## Packaging and Weights

**Included** Pipe  
**Packaging quantity** 1  
**Weight, net** 8 kg | 17.637 lb

## Regulatory Compliance/Certifications

Agency	Classification
CHINA-ROHS	Below maximum concentration value
ISO 9001:2015	Designed, manufactured and/or distributed under this quality management system

# MT-651

---

REACH-SVHC

Compliant as per SVHC revision on [www.commscope.com/ProductCompliance](http://www.commscope.com/ProductCompliance)

ROHS

Compliant

UK-ROHS

Compliant



# TP-G238-B

---



Universal Tripod Mount, base only, pipe not included

## Product Classification

**Product Type** Tripod mount

## General Specifications

**Mounting** Surfaces

**Note** One 6 ft microwave antenna using 4-1/2 in pipe mast

**Pipe, quantity** 0

## Dimensions

**Height** 838.2 mm | 33 in

**Width** 1524 mm | 60 in

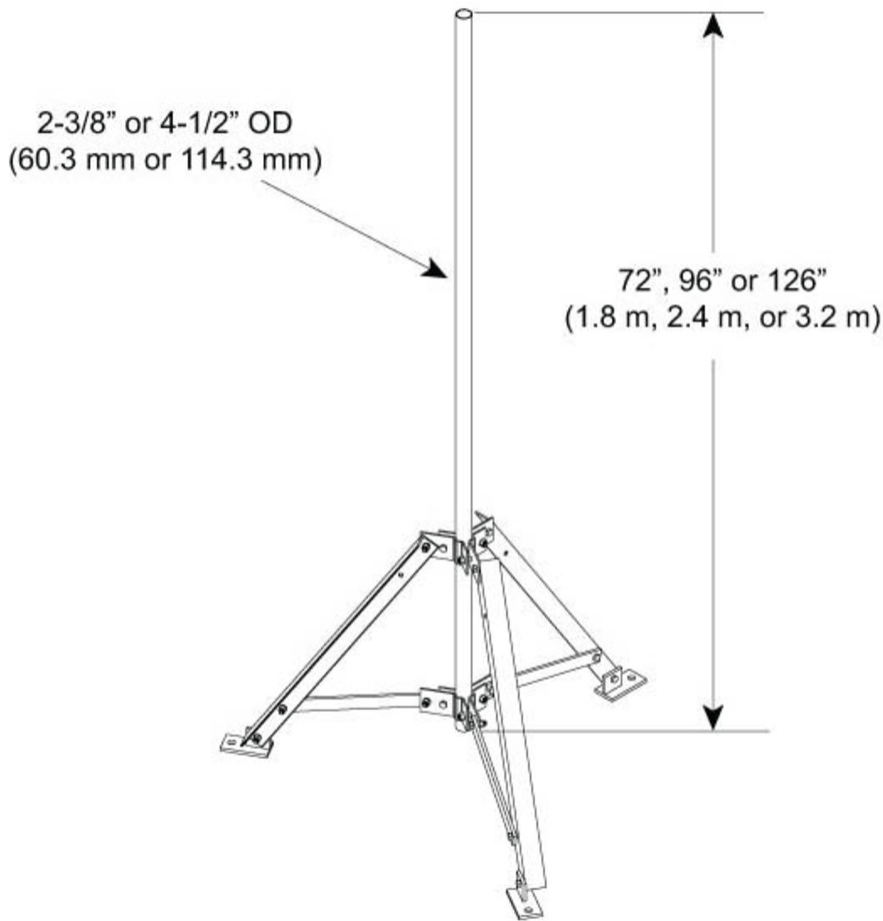
**Length** 1.524 m | 5 ft

**Pipe Length** 0 mm | 0 in

**Pipe Outer Diameter** 60.96 mm | 2.4 in

# TP-G238-B

## Outline Drawing



## Material Specifications

**Material Type** Hot dip galvanized steel

## Mechanical Specifications

**Wind Rating** 85 mph (BWS) at 100 ft AGL using Exposure C per UBC

**Wind Rating Test Method** TIA/EIA-222

## Packaging and Weights

**Included** Mount, with or without pipe

**Packaging quantity** 1

# TP-G238-B

---

**Weight, net**

51.9 kg | 114.42 lb

## Regulatory Compliance/Certifications

**Agency**

ISO 9001:2015



**Classification**

Designed, manufactured and/or distributed under this quality management system

## \* Footnotes

**Wind Rating**

BWS—Base Wind Speed; FBC—Florida Building Code