

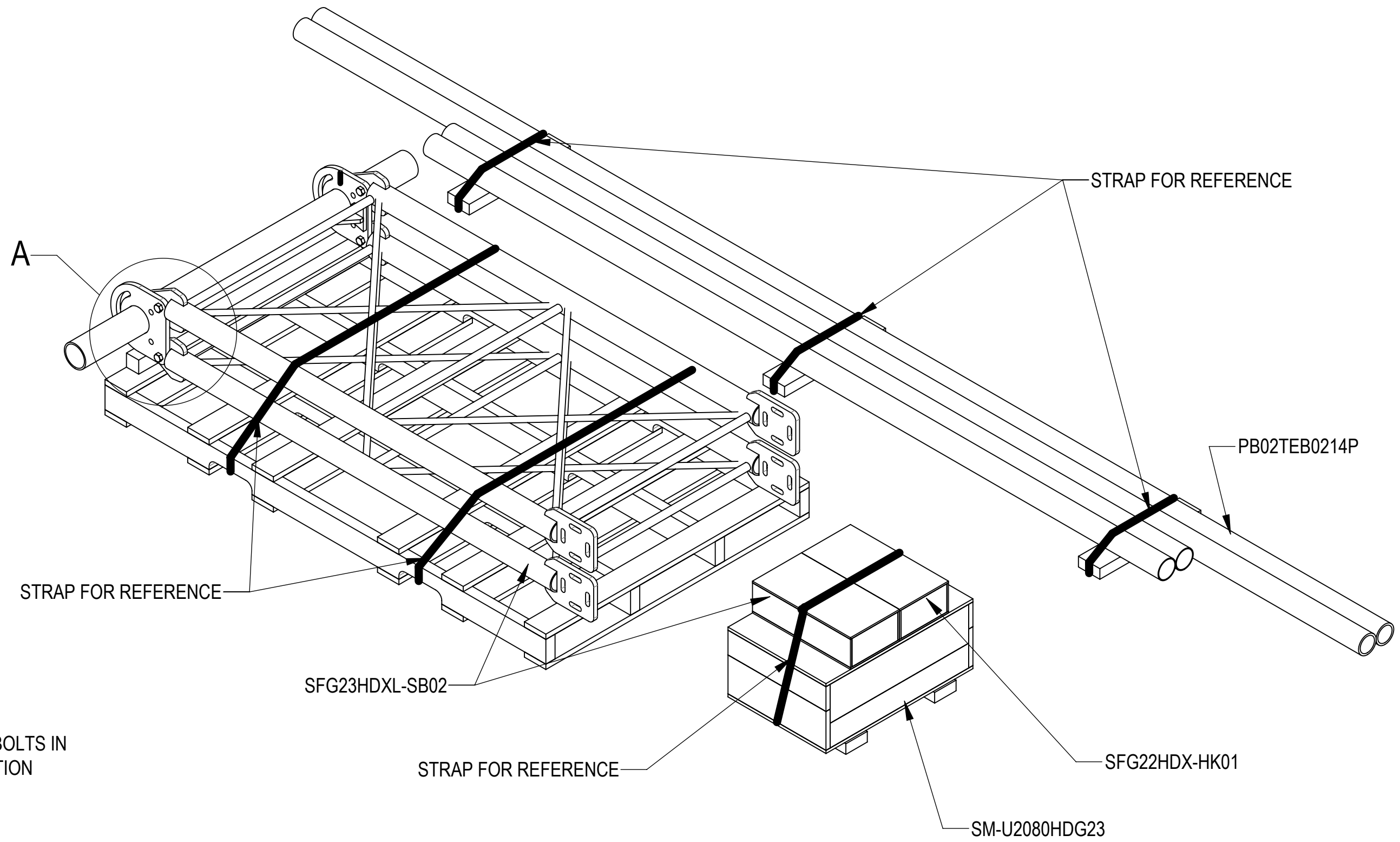
- 1.0 GENERAL NOTES
- 1.1 ALL METRIC DIMENSIONS ARE IN BRACKETS [X.X]
- 1.2 FOR PATENT INFO: <https://www.cs-pat.com>

- 2.0 DESIGN NOTES
- 2.1 ANY HAZARDS OR OBSTRUCTIONS TO THE CLIMBING FACILITY AND SAFETY CLIMB MUST BE IDENTIFIED PRIOR TO INSTALLING THE APPURTENANCE. ADDITIONAL PRODUCTS MAY BE REQUIRED TO MAINTAIN THE INTEGRITY OF THE SAFETY CLIMB. DURING INSTALLATION, TEMPORARY AND/OR PERMANENT PRECAUTIONARY MEASURES SHOULD BE TAKEN TO PRESERVE THE CLIMBING FACILITY AND/OR SAFETY CLIMB.
- 2.2 UP TO 5.0° TAPER AVAILABLE ON MODELS THAT SUPPORT ADJUSTMENT

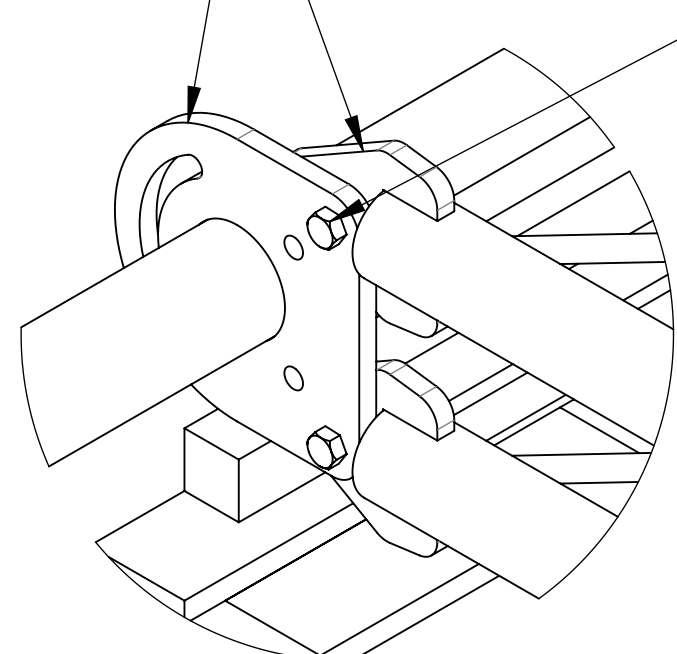
- 3.0 MANUFACTURING/SPECIAL REQUIREMENTS
- 3.1 TIGHTEN ALL BOLTS SECURING FLAT PLATES BY THE TURN-OF-NUT METHOD. TIGHTEN ALL U-BOLTS USING TURN-OF-NUT METHOD WITH ATTENTION TO LEAVE EQUAL DISTANCE AND EQUAL FORCE ON EACH LEG OF THE U-BOLT.

- 4.0 TEST
- 5.0 PACKAGING
- 5.1 PACKAGING SHALL MEET COMMSCOPE REQUIREMENTS PER DOCUMENT IS-PL-3005.
- 5.2 PRINTED DOCUMENT TO BE PLACED INSIDE POLYBAG AND THEN IN SHIPPING CONTAINER.
- 5.3 EXTRA HARDWARE MAYBE SUPPLIED, BAGGED AND SHIPPED.

REVISIONS			
REV.	DESCRIPTION	DATE	APPROVED
A	INITIAL RELEASE	LL1090 18SEP23	XK1001 40178626CMO



WITH SFG23180-00 MOUNTED ON TOP OF SFG2206



**DETAIL A**  
SCALE 1 : 5

ALL GB-05225 BOLTS IN THIS ORIENTATION

<b>COMMSCOPE, INC. OF NORTH CAROLINA</b>											
TOLERANCES						SAP MATERIAL MASTER					
1 PLACE .X[X] ± 0.2[6.3]			3 PLACE .XXX[X] ± 0.060[1.5]			<b>SFG23HDXL-14-BNH</b>					
2 PLACE .XX[X] ± 0.12[3.0]			ANGLES ± 2°			FINISH					
FINISH						MATERIAL					
UNLESS OTHERWISE SPECIFIED DIMENSIONS ARE IN INCHES INTERPRET PER ANSI Y 14.5M-1994	NAME	DATE	TITLE								
	CE LL1090	18SEP23	<b>SECTOR FRAME 14' FACE, NO AP</b>								
	RW LL1090	09/25/2023	SCALE	DOCUMENT NO.							
	AD XK1001	09/25/2023	<b>1:12</b>	<b>SFG23HDXL-14-BNH</b>							
	RE YMENG	09/25/2023	ECN 40178626CMO								
SIZE	Auth Group	INSL	MODEL			DRAWING					
<b>C</b>			VERSION	STATUS	REVISION	VERSION	STATUS	REVISION	SHEET		
			00	RE	A	00	RE	A	1 OF 7		

DENSITY	756.81	lbs/in <sup>3</sup>
MASS	756.81	lbs
VOLUME	2670.90	in <sup>3</sup>
SURFACE AREA	21853.82	in <sup>2</sup>
HEIGHT	54"	
LENGTH	174"	
WIDTH	120"	

4

3


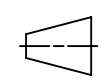
2

1

# PART NUMBERS, WEIGHTS, & EPA

PART NUMBER	DESCRIPTION	WEIGHT (LBS)	MOUNT EPA W/NO ICE (FT²)			MOUNT EPA W/2" ICE (FT²)			INCLUDED PARTS			
			EPA(N)	EPA(T)	EPA(A) 3-SECTORS	EPA(N)	EPA(T)	EPA(A) 3-SECTORS	SM-U2080HDG23	SFG22HDX-HK01	SFG23HDXL-SB02	PB02TEB0214P
SFG23HDXL-14-BNH	SECTOR FRAME 14' FACE, NO AP	754.07	12.47	10.39	27.44	18.12	16.17	41.16	1	1	1	1

NOTES:  
 1) NO MOUNT PIPES CONSIDERED.  
 2) MOUNT CONNECTION MEMBERS TO TOWER CONSIDERED.  
 3) 3-SECTOR EPA INCLUDES KA FACTORS.

COMMSCOPE, INC. OF NORTH CAROLINA				
TITLE SECTOR FRAME 14' FACE, NO AP				
SIZE <b>C</b>	SCALE <b>1:12</b>	DOCUMENT NO. SFG23HDXL-14-BNH		
 		DRAWING		SHEET
		VERSION 00	STATUS RE	REVISION A

4

3

2

1

D

D

C

C

B

B

A

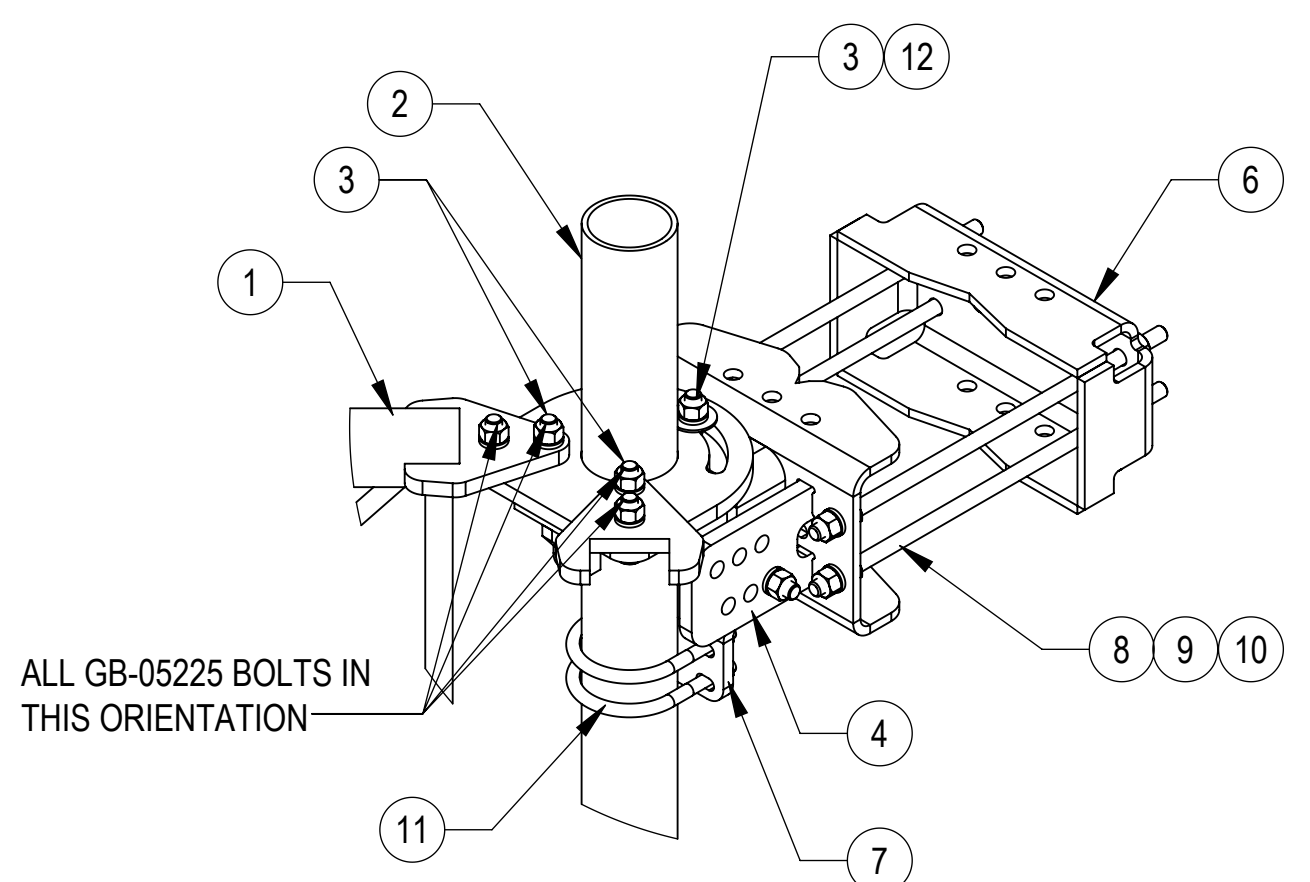
A

4

3

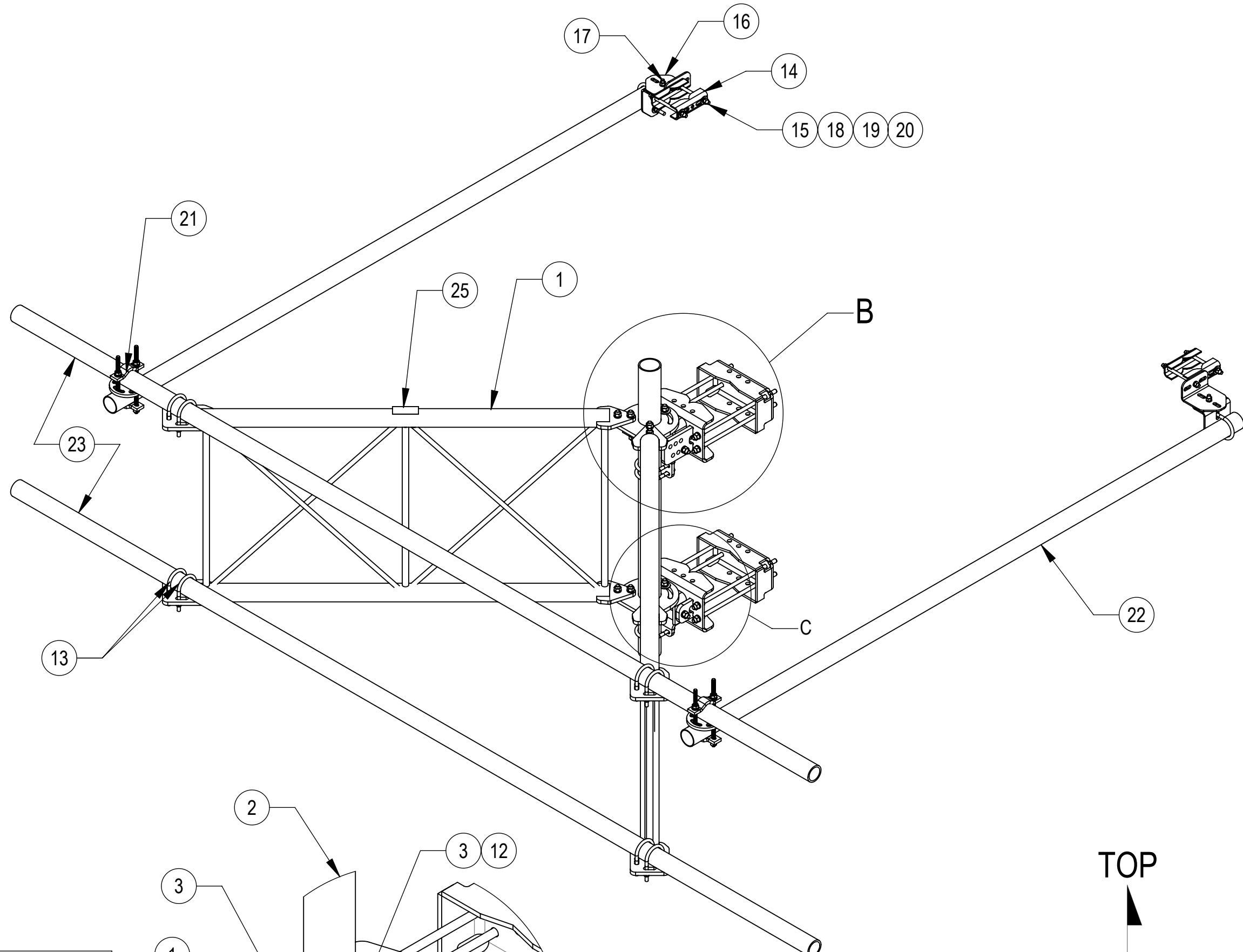
2

1



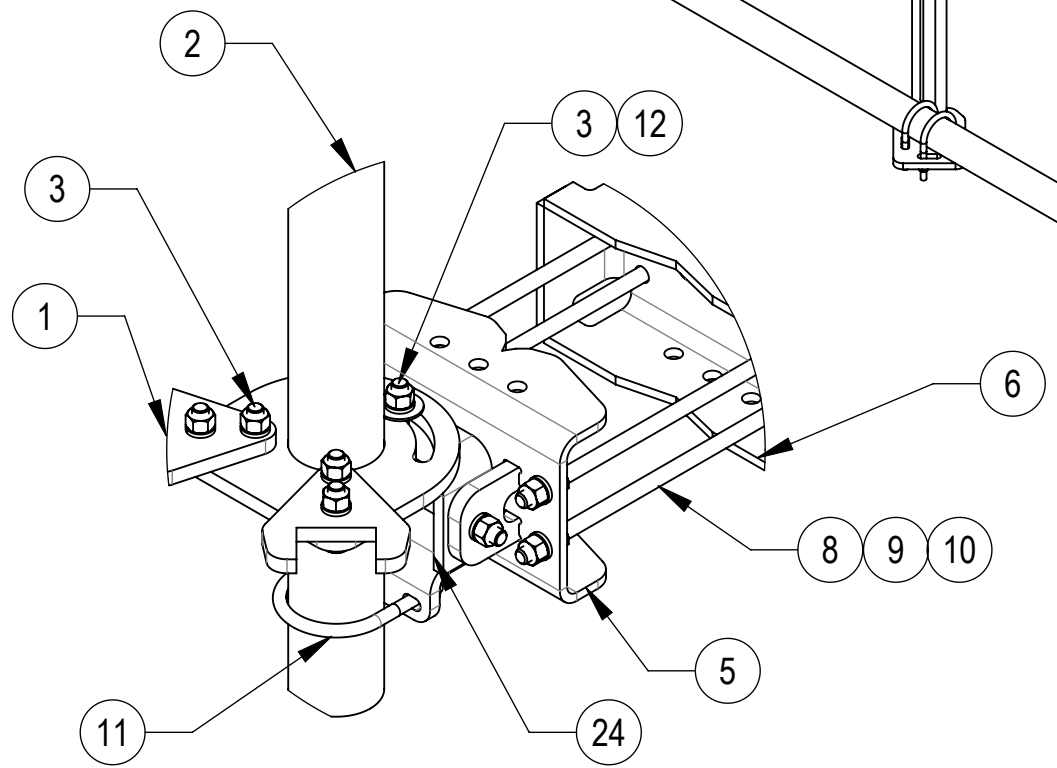
ALL GB-05225 BOLTS IN THIS ORIENTATION

DETAIL B  
SCALE 1 : 7



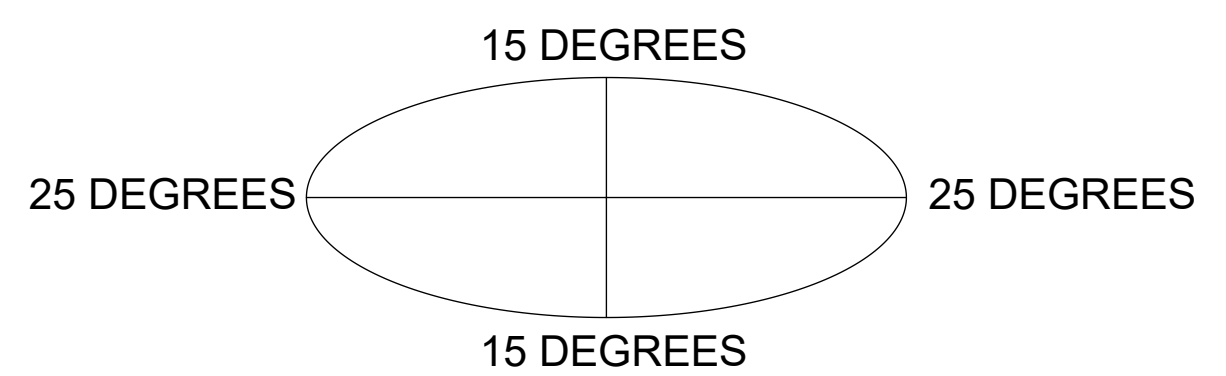
COMPONENT PART NUMBERS PROVIDED FOR ASSEMBLY PURPOSES;  
INDIVIDUAL COMPONENTS MAY BE SHIPPED AS PARTS WITHIN AN INCLUDED KIT.

ITEM NO.	PART NUMBER	DESCRIPTION	QTY.	WEIGHT	NOTE NO.
1	SFG23180-00	ARM, STANDOFF, SFG23	2	120.07 LBS	
2	SFG2206	WELDMENT, ARM MOUNT	1	55.67 LBS	
3	GB-05225	5/8" X 2-1/4" GALV BOLT KIT	14	0.28 LBS	
4	SFG2380	WELDMENT, HD, TOP TAPER BRACKET	1	22.78 LBS	
5	SFG2381	WELDMENT, HD, LOWER TOWER LEG BRACKET	1	17.42 LBS	
6	SFG2289	G2 RRU BACK CLAMP, HD	2	18.65 LBS	
7	SFG2386	WELDMENT, SFG2 AZIMUTH BRACKET	1	10.69 LBS	
8	MT-382-18	5/8" X 18" THREADED ROD	8	1.43 LBS	
9	GWL-05	5/8" GALV LOCK WASHER	16	0.03 LBS	
10	GN-05	5/8" GALV HEX NUT	24	0.08 LBS	
11	GUB-4355	1/2" X 3-5/8" X 5" GALV U-BOLT	3	0.71 LBS	
12	GWF-05	5/8" GALV FLAT WASHER, 1.7OD	2	0.06 LBS	
13	GUB-4352	1/2" X 3" X 5-1/4" GALV U-BOLT	10	0.71 LBS	
14	SAB01	FORMED CLAMP	4	1.35 LBS	
15	MT-379-8	1/2" X 8" GALV THREADED ROD	4	0.45 LBS	
16	XAU01	ANGLE, CROSSOVER, 1.9-3.5" X 1.9-3.5" OD	4	2.98 LBS	
17	GB-04145	1/2" X 1-1/2" GALV BOLT KIT	2	0.13 LBS	
18	GWF-04	1/2" GALV FLAT WASHER	8	0.04 LBS	
19	GWL-04	1/2" GALV LOCK WASHER	10	0.01 LBS	
20	GN-04	1/2" GALV HEX NUT	10	0.04 LBS	
21	XP-R	CROSSOVER PLATE, ROUND, UP TO 3.5" OD	2	6.20 LBS	
22	MT546120120	PIPE, 2.875"OD X 120"	2	35.44 LBS	
23	MT546174276	PIPE, 2.875"OD X 174"	2	111.49 LBS	
24	SFG2397-00	WELDMENT, G23 AZIMUTH BRACKET	1	8.56 LBS	
25	SFG2399	LABEL, SFG23HDXL	1	0.04 LBS	
26	GUB-53560	5/8" X 3-5/8" X 6" GALV U-BOLT	4	1.28 LBS	FOR RING MOUNT ONLY



DETAIL C  
SCALE 1 : 7

**ALLOWABLE TIEBACK ANGLE**  
± 15 DEGREES VERTICAL  
± 25 DEGREES HORIZONTAL



TOP  
↑  
↓  
BOTTOM

COMMSCOPE, INC. OF NORTH CAROLINA				
TITLE SECTOR FRAME 14' FACE, NO AP				
SIZE <b>C</b>	SCALE <b>1:16</b>	DOCUMENT NO. <b>SFG23HDXL-14-BNH</b>		
DRAWING		VERSION	STATUS	REVISION
		00	RE	A
				SHEET 3 OF 7

© 2023 CommScope, Inc. Confidential

4

3

2

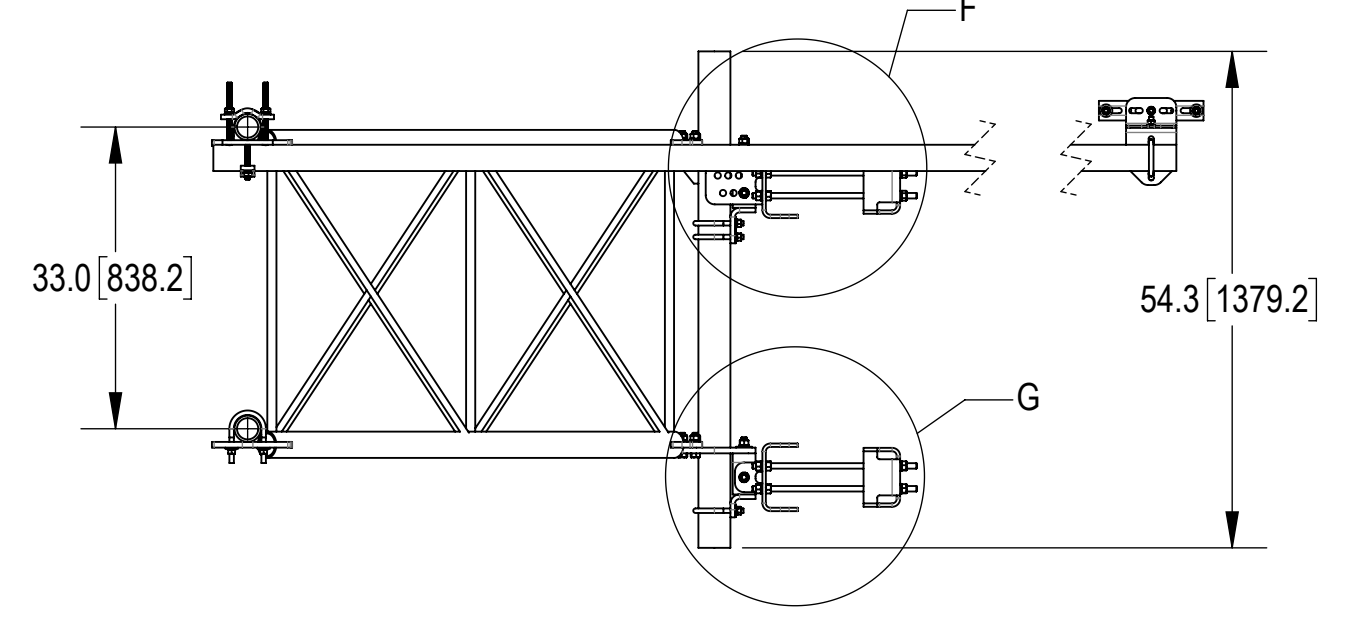
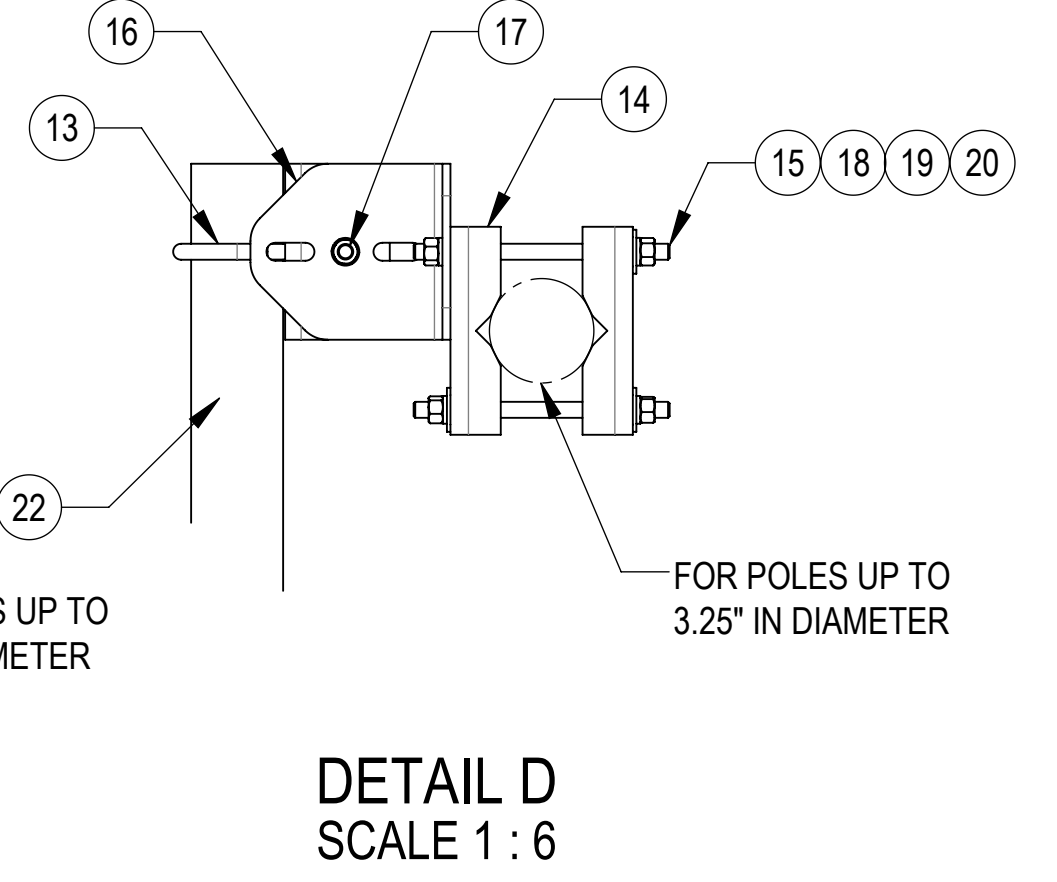
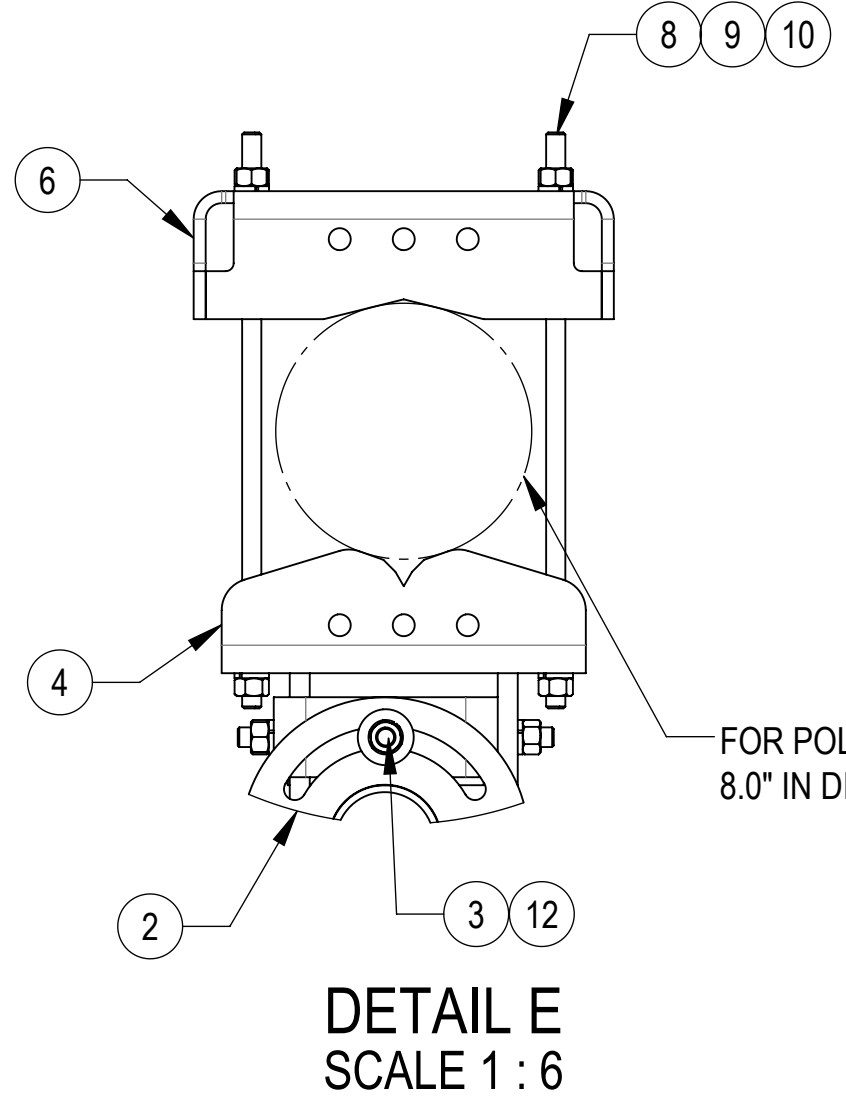
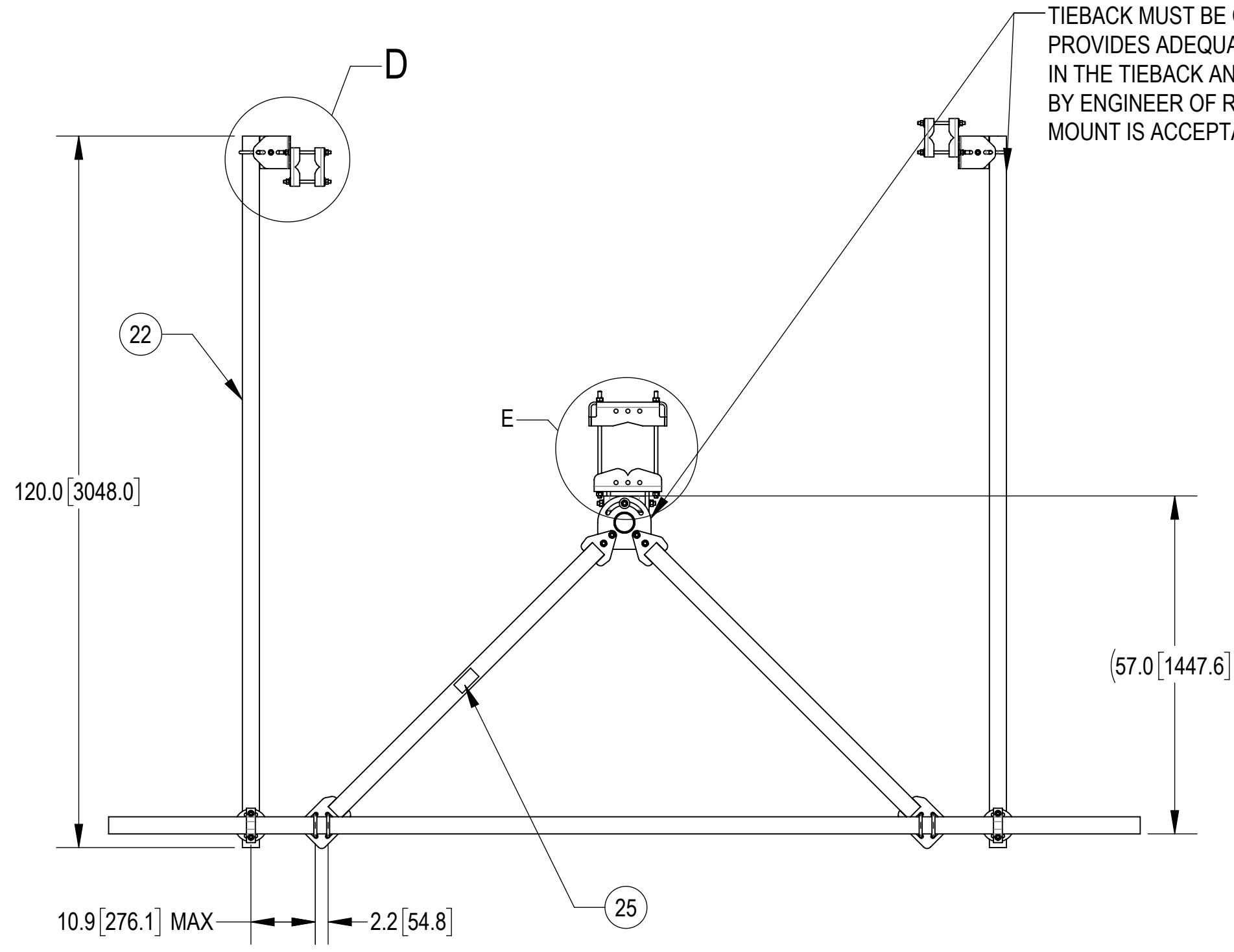
1

4

3

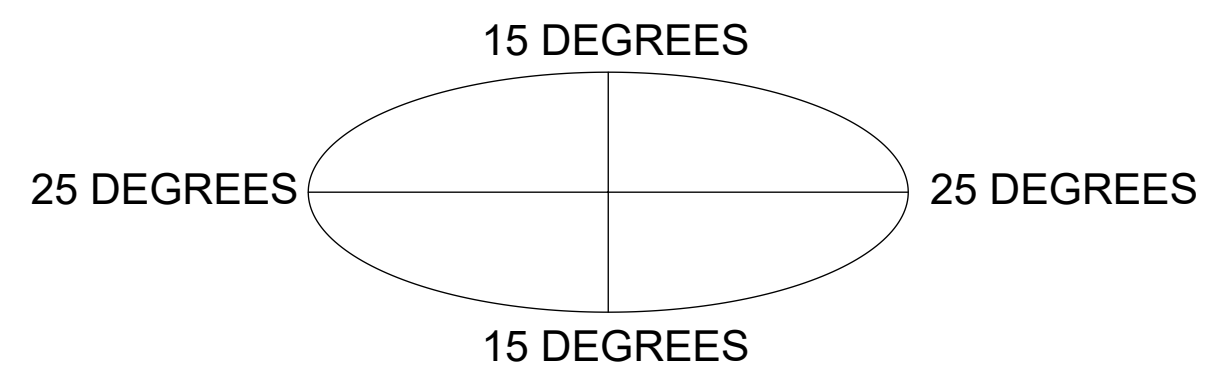
2

1



TOP  
↑  
↓  
BOTTOM

**ALLOWABLE TIEBACK ANGLE**  
±15 DEGREES VERTICAL  
±25 DEGREES HORIZONTAL



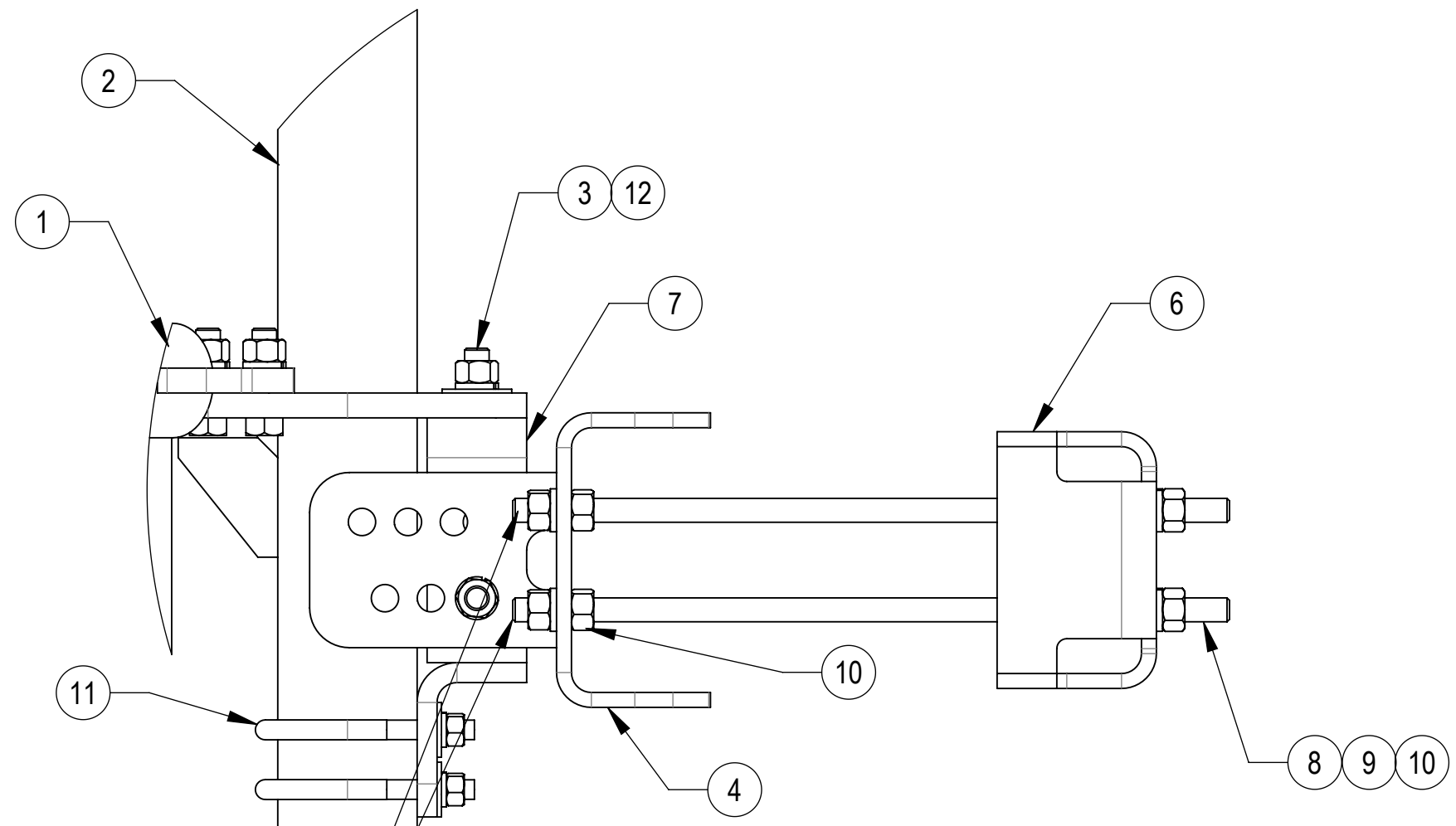
COMMSCOPE, INC. OF NORTH CAROLINA				
TITLE SECTOR FRAME 14' FACE, NO AP				
SIZE <b>C</b>	SCALE <b>1:21</b>	DOCUMENT NO. SFG23HDXL-14-BNH		
DRAWING		VERSION	STATUS	REVISION
		00	RE	A
				SHEET 4 OF 7

4

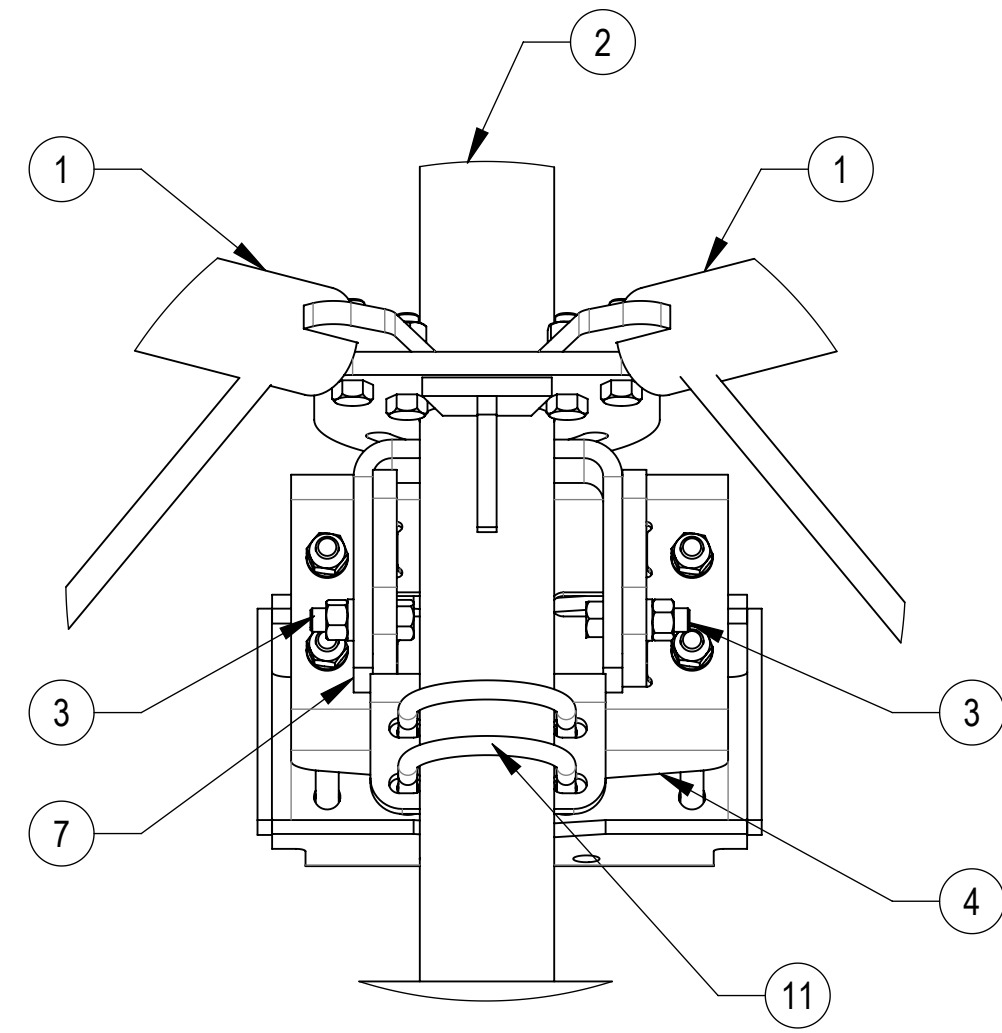
3

2

1

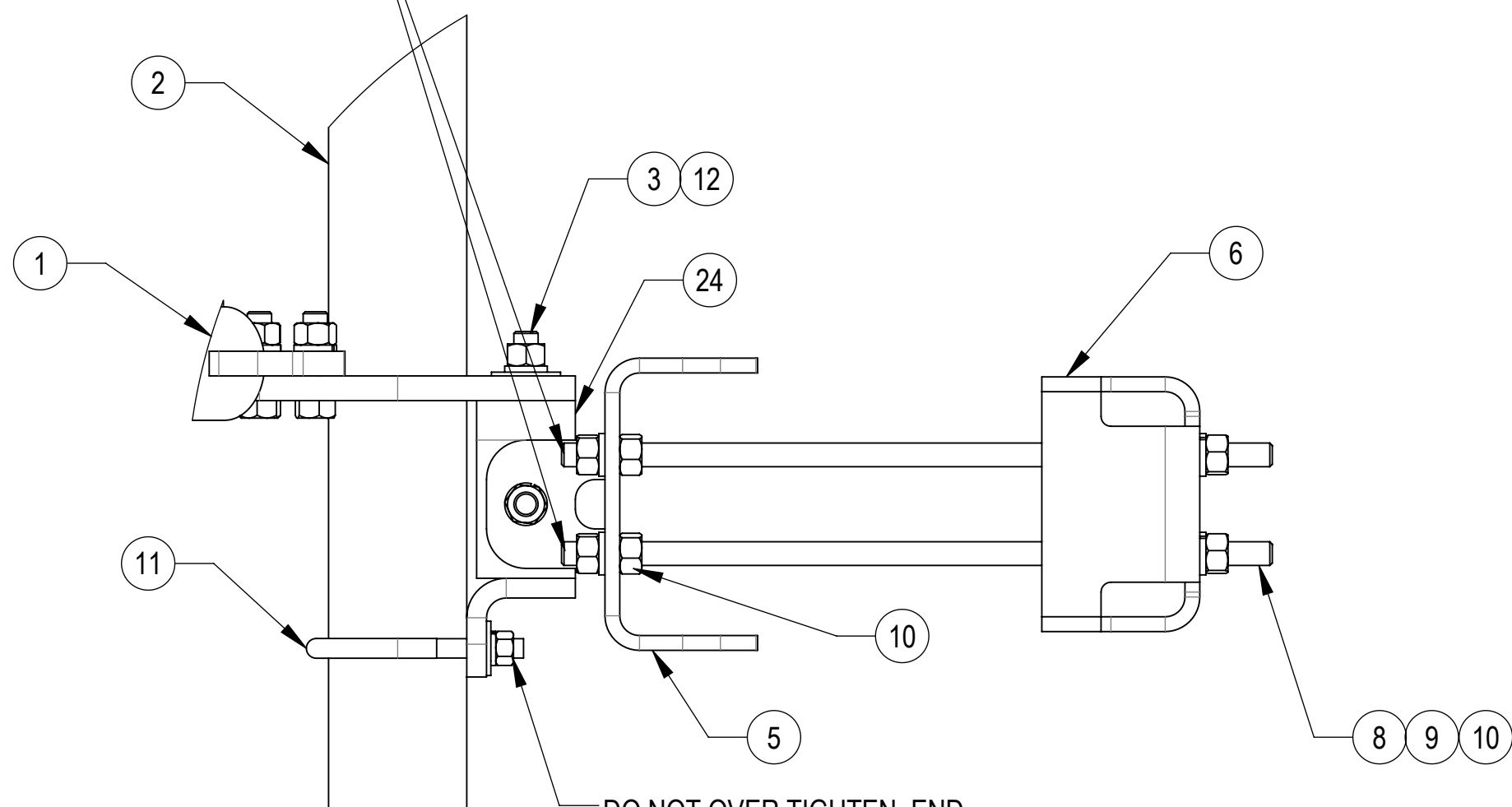


**DETAIL F**  
SCALE 1 : 4



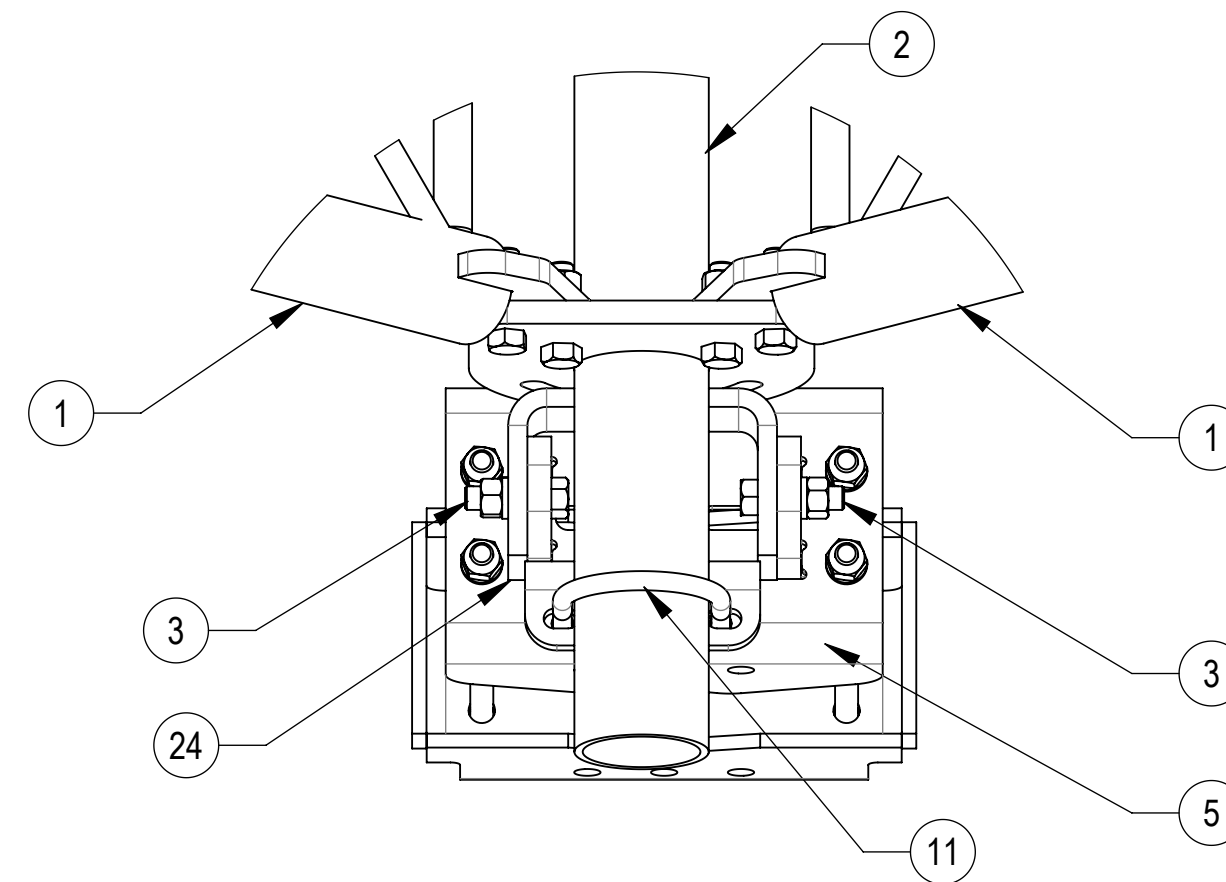
**DETAIL ISO TOP ROTATED VIEW**  
SCALE 1 : 5

THE THREADED ROD CAN ONLY EXPOSE 4 TO 7 THREADS ON ONE SIDE OF THE BRACKET, WHICH IS TO PREVENT INTERFERENCE WITH THE SIDE BOLTS



**DETAIL G**  
SCALE 1 : 4

DO NOT OVER TIGHTEN, END OF POLE CAN BE DAMAGED



**DETAIL ISO BOTTOM ROTATED VIEW**  
SCALE 1 : 5

COMMSCOPE, INC. OF NORTH CAROLINA				
TITLE SECTOR FRAME 14' FACE, NO AP				
SIZE <b>C</b>	SCALE <b>1:32</b>	DOCUMENT NO. SFG23HDXL-14-BNH		
		DRAWING		SHEET
		VERSION	STATUS	REVISION
		00	RE	A
				SHEET 5 OF 7

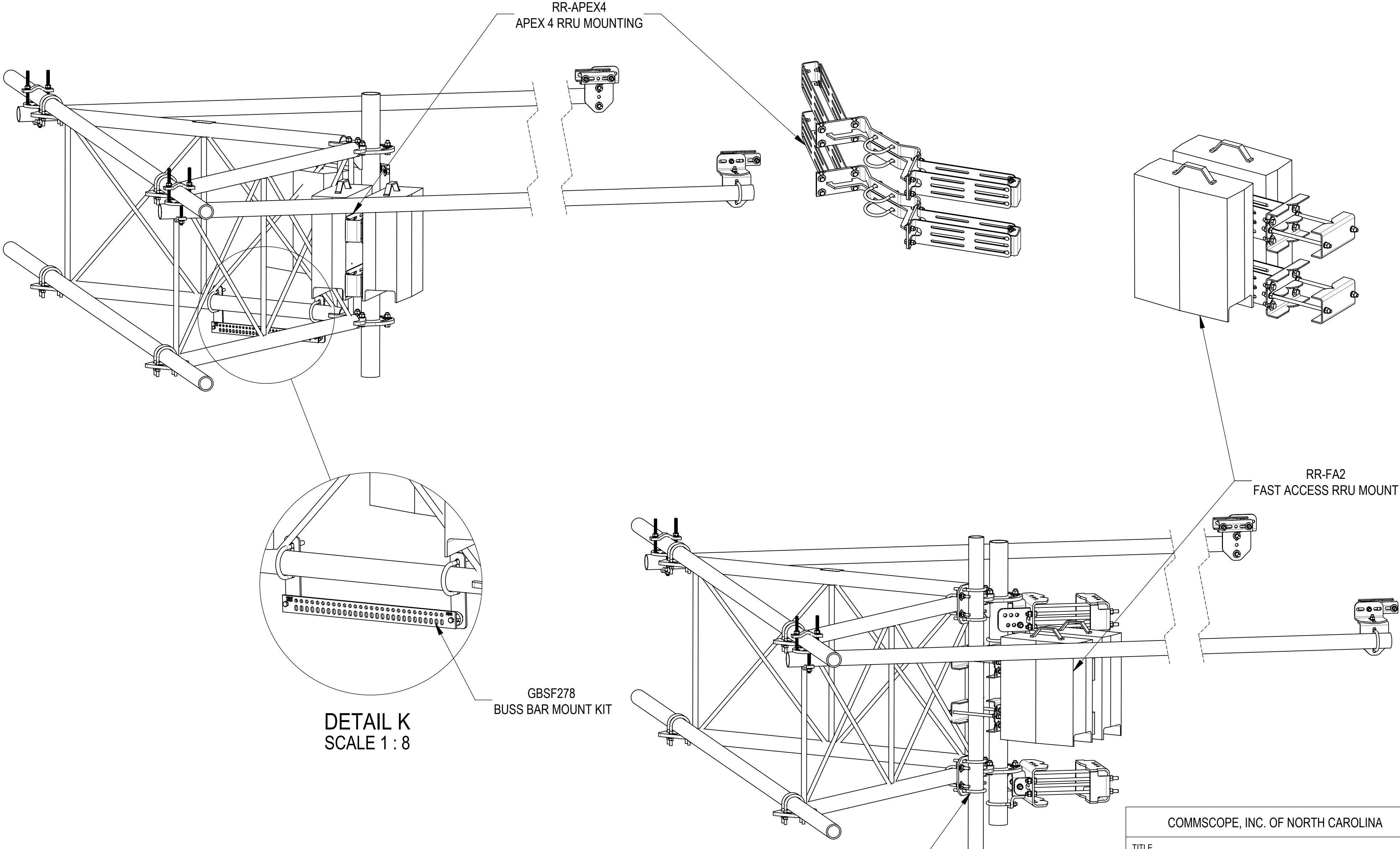
4


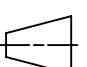
3

2

1

**ACCESSORIES ORDERED SEPARATELY:**



COMMSCOPE, INC. OF NORTH CAROLINA					
TITLE SECTOR FRAME 14' FACE, NO AP					
SIZE <b>C</b>	SCALE <b>1:12</b>	DOCUMENT NO. SFG23HDXL-14-BNH			
 		DRAWING			SHEET 6 OF 7
		VERSION 00	STATUS RE	REVISION A	

4

3

2

1

4

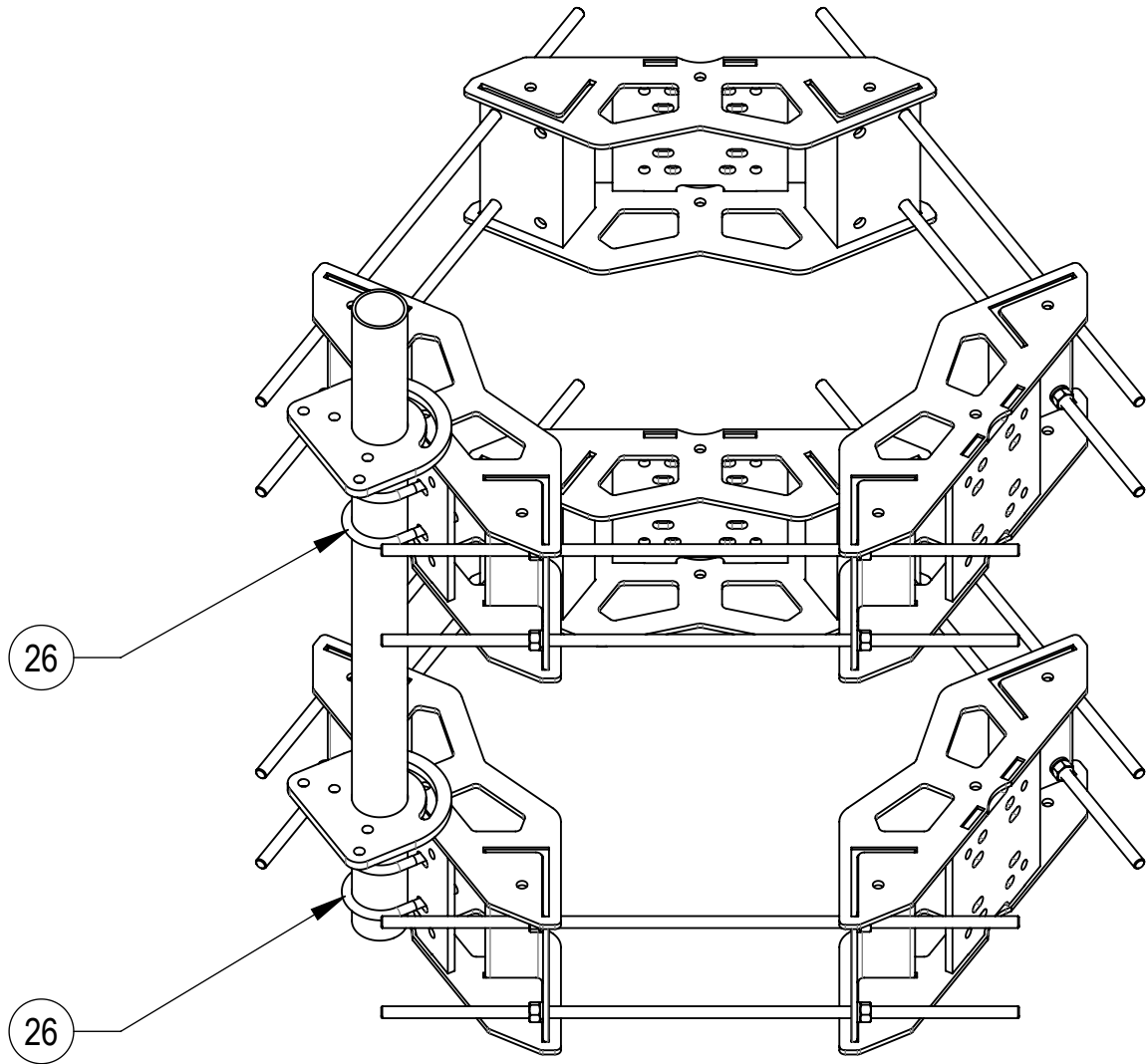
3

2

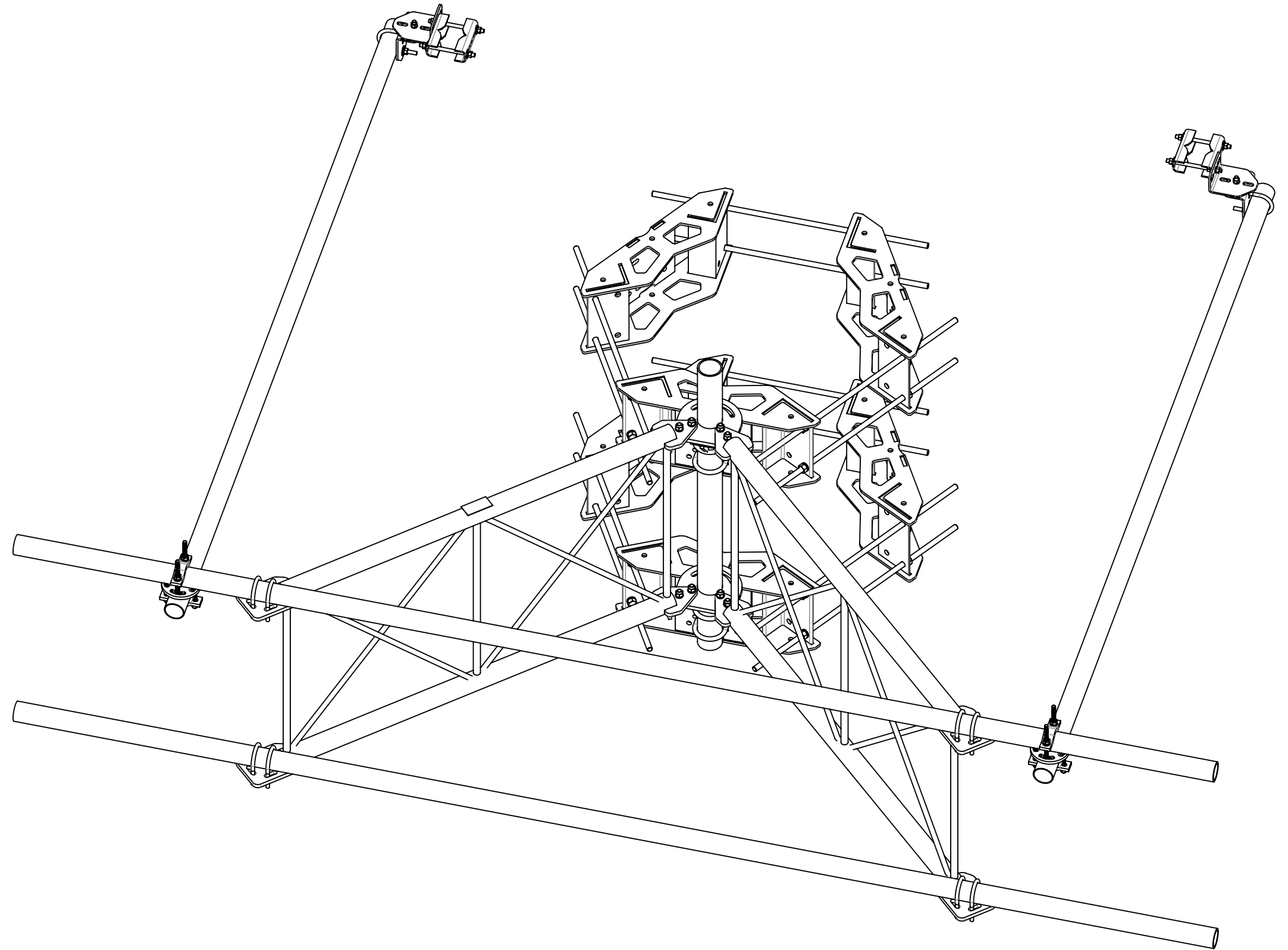
1

**ACCESSORIES ORDERED SEPARATELY:**

RING MOUNT KIT FOR MONOPOLE INSTALLATION (SOLD SEPERATELY)

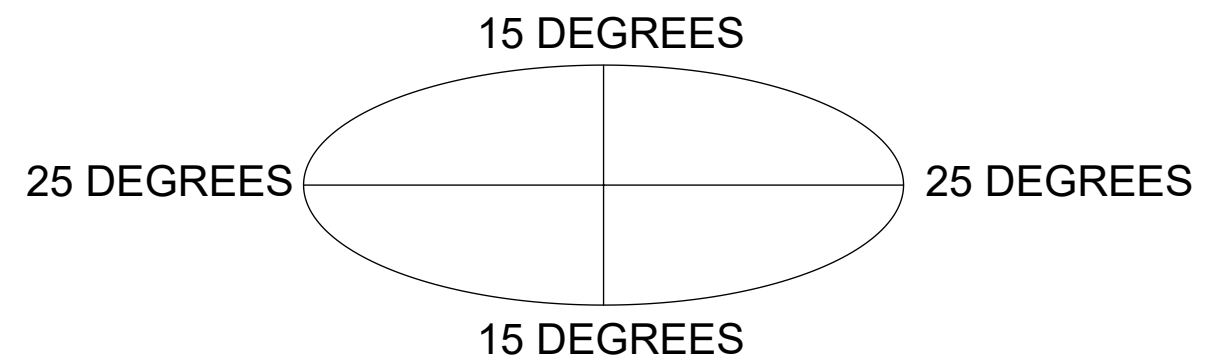


GUB-53560 (USE ON MONOPOLE VERSION ONLY)



**ALLOWABLE TIEBACK ANGLE**

±15 DEGREES VERTICAL  
±25 DEGREES HORIZONTAL



COMMSCOPE, INC. OF NORTH CAROLINA

TITLE  
SECTOR FRAME 14' FACE, NO AP

SIZE <b>C</b>	SCALE <b>1:12</b>	DOCUMENT NO. SFG23HDXL-14-BNH
------------------	----------------------	----------------------------------

DRAWING	VERSION	STATUS	REVISION	SHEET 7 OF 7
	00	RE	A	

© 2023 CommScope, Inc. Confidential

4

3

2

1