

# E14F05P2190

---



Twin Diplexer, 380–2200 MHz/2300–2690 MHz, DC block all ports, 4.3-10

- New 4.3-10 connectors for improved PIM performance and size reduction
- Extremely wide lower passband (380-2200 MHz) provides flexibility for various combining schemes
- dc/AISG blocking on all ports

## Product Classification

**Product Type** Diplexer

## General Specifications

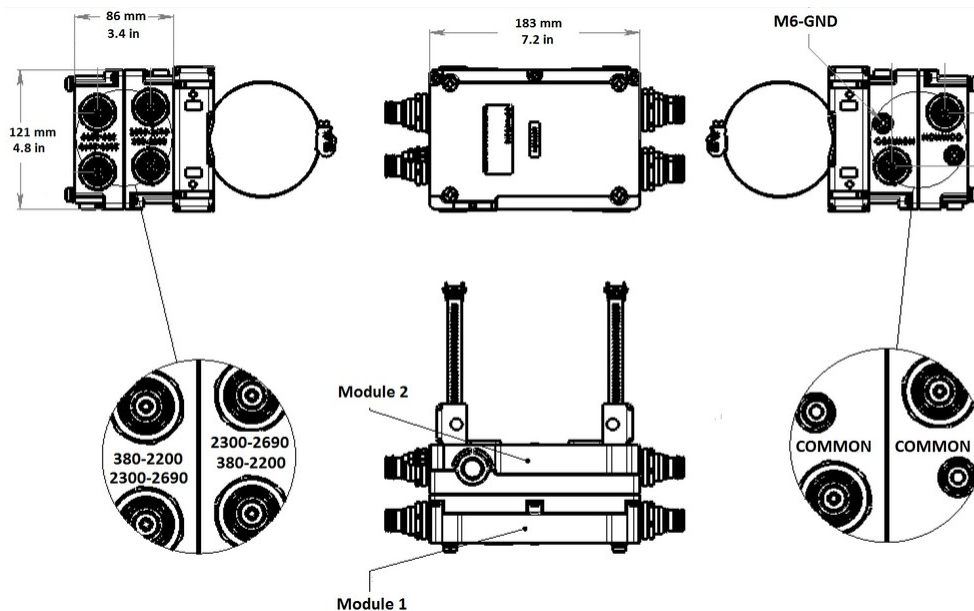
**Product Family** CBC426  
**Color** Gray  
**Common Port Label** ANT  
**Modularity** 2-Twin  
**Mounting** Pole | Wall  
**Mounting Pipe Hardware** Band clamps (2)  
**RF Connector Interface** 4.3-10 Female  
**RF Connector Interface Body Style** Long neck

## Dimensions

**Height** 183 mm | 7.205 in  
**Width** 121 mm | 4.764 in  
**Depth** 86 mm | 3.386 in  
**Ground Screw Diameter** 5 mm | 0.197 in  
**Mounting Pipe Diameter Range** 42.6–122 mm

## Outline Drawing

# E14F05P2190



## Electrical Specifications

<b>Impedance</b>	50 ohm
<b>License Band, Band Pass</b>	APT 700   AWS 1700   CEL 850   CEL 900   DCS 1800   EDD 800   IMT 2100   IMT 2600   LMR 750   LMR 800   LMR 900   PCS 1900   TDD 2300   TDD 2600   USA 700   USA 750   WCS 2300

## Electrical Specifications, dc Power/Alarm

<b>dc/AISG Pass-through Method</b>	Factory set
<b>dc/AISG Pass-through, combiner</b>	dc/AISG blocking on all ports

## Electrical Specifications, AISG

<b>AISG Carrier</b>	2176 KHz ± 100 ppm
<b>Insertion Loss, maximum</b>	0.5 dB
<b>Return Loss, minimum</b>	15 dB

## Electrical Specifications

<b>Sub-module</b>	1   2	1   2
<b>Branch</b>	1	2
<b>Port Designation</b>	PORT 1 380-2200	PORT 2 2300-2690

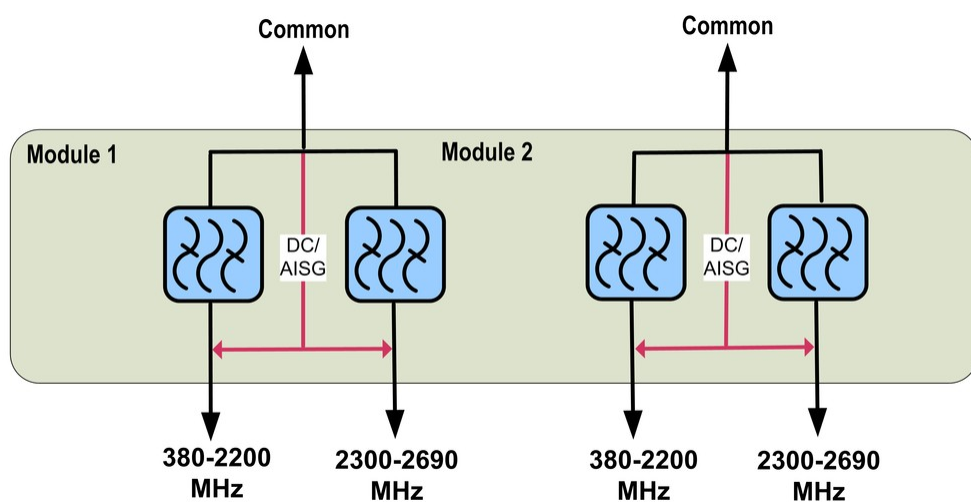
## Electrical Specifications, Band Pass

<b>Frequency Range, MHz</b>	380-2200	2300-2690
-----------------------------	----------	-----------

# E14F05P2190

<b>Insertion Loss, typical, dB</b>	0.2	0.2
<b>Total Group Delay, maximum, ns</b>	8	13
<b>Return Loss, typical, dB</b>	22	22
<b>Isolation, minimum, dB</b>	50	50
<b>Input Power, RMS, maximum, W</b>	200	200
<b>Input Power, PEP, maximum, W</b>	2000	2000
<b>3rd Order PIM, typical, dBc</b>	-160	-160
<b>3rd Order PIM Test Method</b>	2 x 20 W CW tones	2 x 20 W CW tones

## Block Diagram



## Mechanical Specifications

<b>Wind Loading @ Velocity, frontal</b>	11.0 N @ 150 km/h (2.5 lbf @ 150 km/h)
<b>Wind Loading @ Velocity, lateral</b>	7.0 N @ 150 km/h (1.6 lbf @ 150 km/h)

## Environmental Specifications

<b>Operating Temperature</b>	-40 °C to +65 °C (-40 °F to +149 °F)
<b>Relative Humidity</b>	5%–100%
<b>Corrosion Test Method</b>	IEC 60068-2-11, 30 days
<b>Ingress Protection Test Method</b>	IEC 60529:2001, IP67

## Packaging and Weights

<b>Included</b>	Mounting hardware
<b>Volume</b>	1.9 L

# E14F05P2190

---

**Weight, net** 4.5 kg | 9.921 lb

**Weight, without mounting hardware** 3.9 kg | 8.598 lb

## Regulatory Compliance/Certifications

**Agency**

**Classification**

ISO 9001:2015

Designed, manufactured and/or distributed under this quality management system