

# E14F10P0790

---



Single Triplexer 700-800//900//1800-2600 MHz, DC block all ports, with 4.3-10 connectors

- New 4.3-10 connectors for improved PIM performance and size reduction
- Designed for network modernization application, introduction of LTE700 and LTE800 on existing site
- dc/AISG blocking on all ports
- Industry leading PIM performance

## Product Classification

**Product Type** Triplexer

## General Specifications

**Product Family** CBC7926

**Color** Gray

**Common Port Label** COM

**Modularity** 1-Single

**Mounting** Pole | Wall

**Mounting Pipe Hardware** Band clamps (2)

**RF Connector Interface** 4.3-10 Female

**RF Connector Interface Body Style** Medium neck

## Dimensions

**Height** 257 mm | 10.118 in

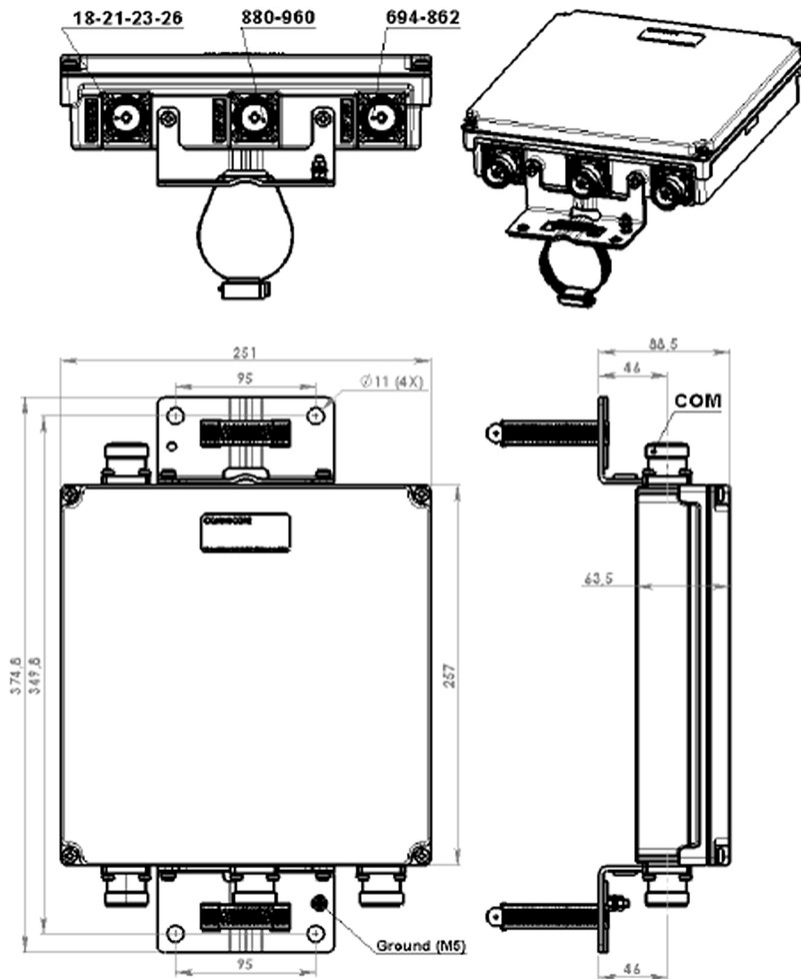
**Width** 251 mm | 9.882 in

**Depth** 63.5 mm | 2.5 in

**Mounting Pipe Diameter Range** 42.6–122 mm

# E14F10P0790

## Outline Drawing



## Electrical Specifications

### Impedance

50 ohm

### License Band, Band Pass

APT 700 | AWS 1700 | CEL 900 | DCS 1800 | EDD 800 | IMT 2100 | IMT 2600 | LMR 750 | PCS 1900 | TDD 2300 | USA 700 | USA 750

## Electrical Specifications, dc Power/Alarm

### dc/AISG Pass-through, combiner

dc/AISG blocking on all ports

### dc/AISG Pass-through, demultiplexer

dc/AISG blocking on all ports

### Lightning Surge Current

5 kA

### Lightning Surge Current Waveform

8/20 waveform

# E14F10P0790

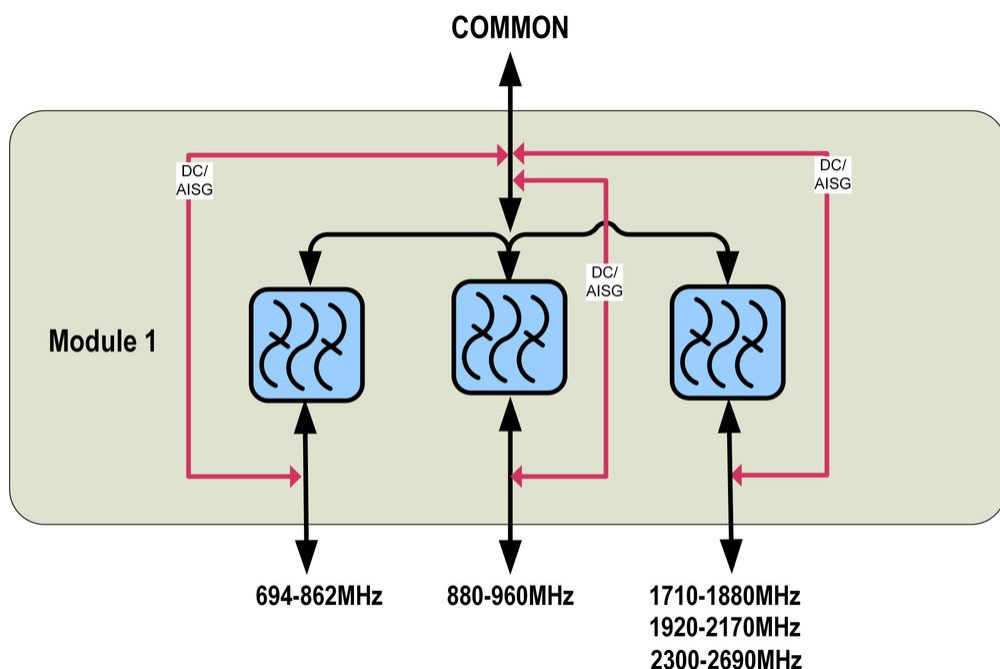
## Electrical Specifications

<b>Sub-module</b>	<b>1   2</b>	<b>1   2</b>	<b>1   2</b>
<b>Branch</b>	1	2	3
<b>Port Designation</b>	DD2-800	900	18-21-23-26
<b>License Band</b>	APT 700, Band Pass EDD 800, Band Pass LMR 750, Band Pass USA 700, Band Pass USA 750, Band Pass	CEL 900, Band Pass	AWS 1700, Band Pass DCS 1800, Band Pass IMT 2100, Band Pass IMT 2600, Band Pass PCS 1900, Band Pass

## Electrical Specifications, Band Pass

<b>Frequency Range, MHz</b>	<b>694–862</b>	<b>880–960</b>	<b>1710–2690</b>
<b>Insertion Loss, typical, dB</b>	0.35	0.3	0.05
<b>Return Loss, typical, dB</b>	22	22	22
<b>Isolation, minimum, dB</b>	50	50	50
<b>Input Power, PEP, maximum, W</b>	3000	3000	3000
<b>3rd Order PIM, typical, dBc</b>	-160	-160	-160
<b>3rd Order PIM Test Method</b>	Two +43 dBm carriers	Two +43 dBm carriers	Two +43 dBm carriers

## Block Diagram



## Environmental Specifications

# E14F10P0790

---

<b>Operating Temperature</b>	-40 °C to +60 °C (-40 °F to +140 °F)
<b>Relative Humidity</b>	Up to 100%
<b>Corrosion Test Method</b>	IEC 60068-2-11, 30 days
<b>Ingress Protection Test Method</b>	IEC 60529:2001, IP67

## Packaging and Weights

<b>Included</b>	Mounting hardware
<b>Volume</b>	4.1 L
<b>Weight, net</b>	4.6 kg   10.141 lb

## Regulatory Compliance/Certifications

<b>Agency</b>	<b>Classification</b>
ISO 9001:2015	Designed, manufactured and/or distributed under this quality management system