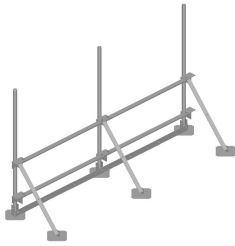


WT-SMA14-3-96



Water Tower Rooftop Sector Frame, 14 ft face, three 2-3/8 in OD x 96 in plain end pipes included

Product Classification

Product Type Water tower mount

General Specifications

Mounting Weld-on feet

Pipe, quantity 3

Sectors, quantity 1

Dimensions

Height 2,438.4 mm | 96 in

Face Width 4.267 m | 14 ft

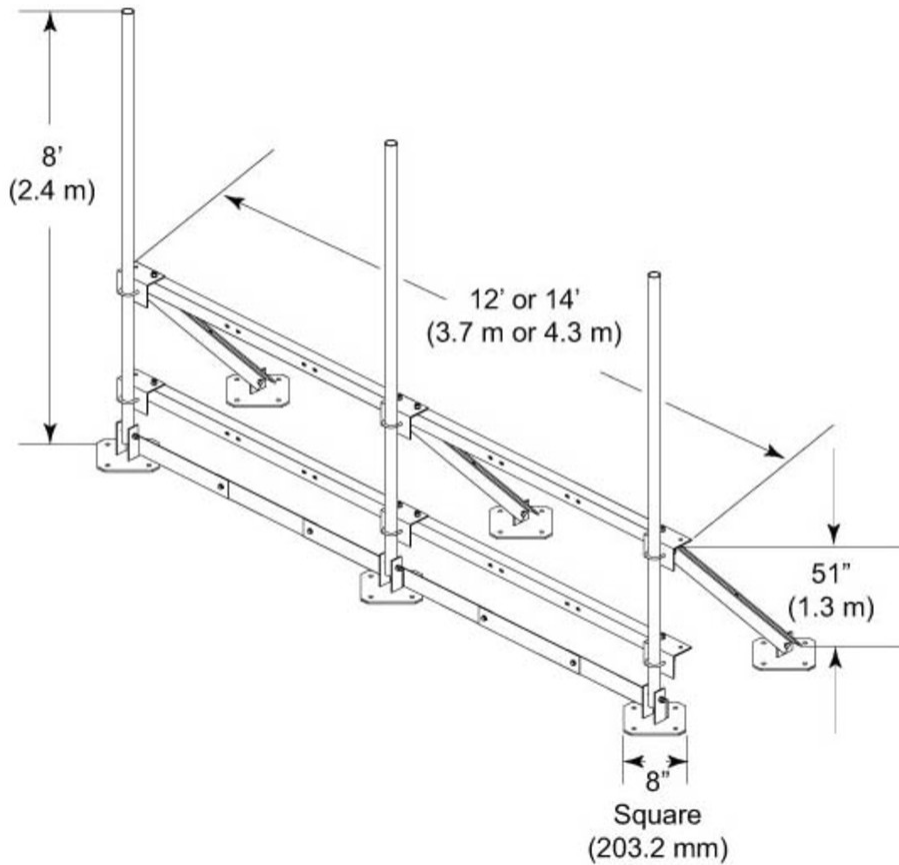
Width 4,267.2 mm | 168 in

Pipe Length 2,438.4 mm | 96 in

Pipe Outer Diameter 60.96 mm | 2.4 in

WT-SMA14-3-96

Outline Drawing



Material Specifications

Material Type Hot dip galvanized steel

Packaging and Weights

Included Mount | Plain end pipes (3)

Packaging quantity 1

Weight, net 223.122 kg | 491.9 lb

Regulatory Compliance/Certifications

Agency

CHINA-ROHS

ISO 9001:2015

Classification

Above maximum concentration value

Designed, manufactured and/or distributed under this quality management system

WT-SMA14-3-96

REACH-SVHC

Compliant as per SVHC revision on www.commscope.com/ProductCompliance

ROHS

Compliant/Exempted

UK-ROHS

Compliant/Exempted

