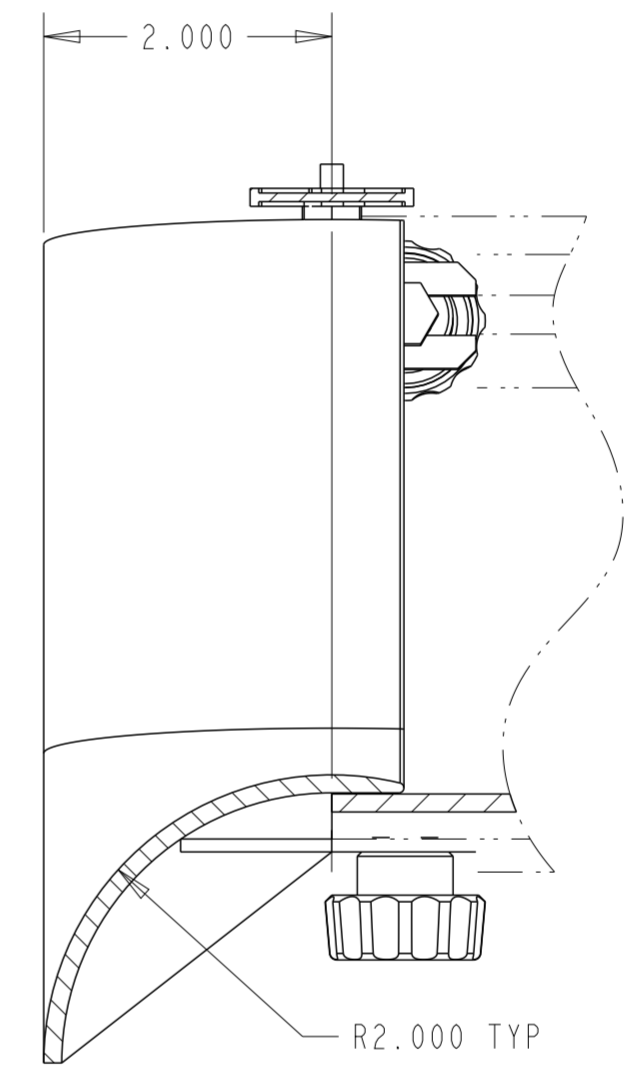
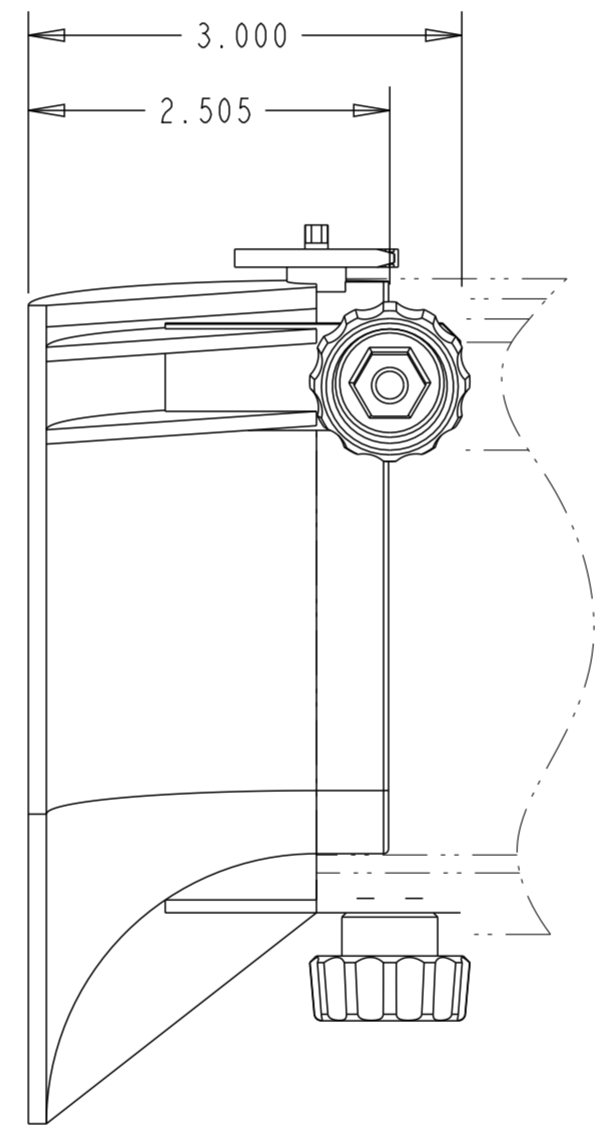
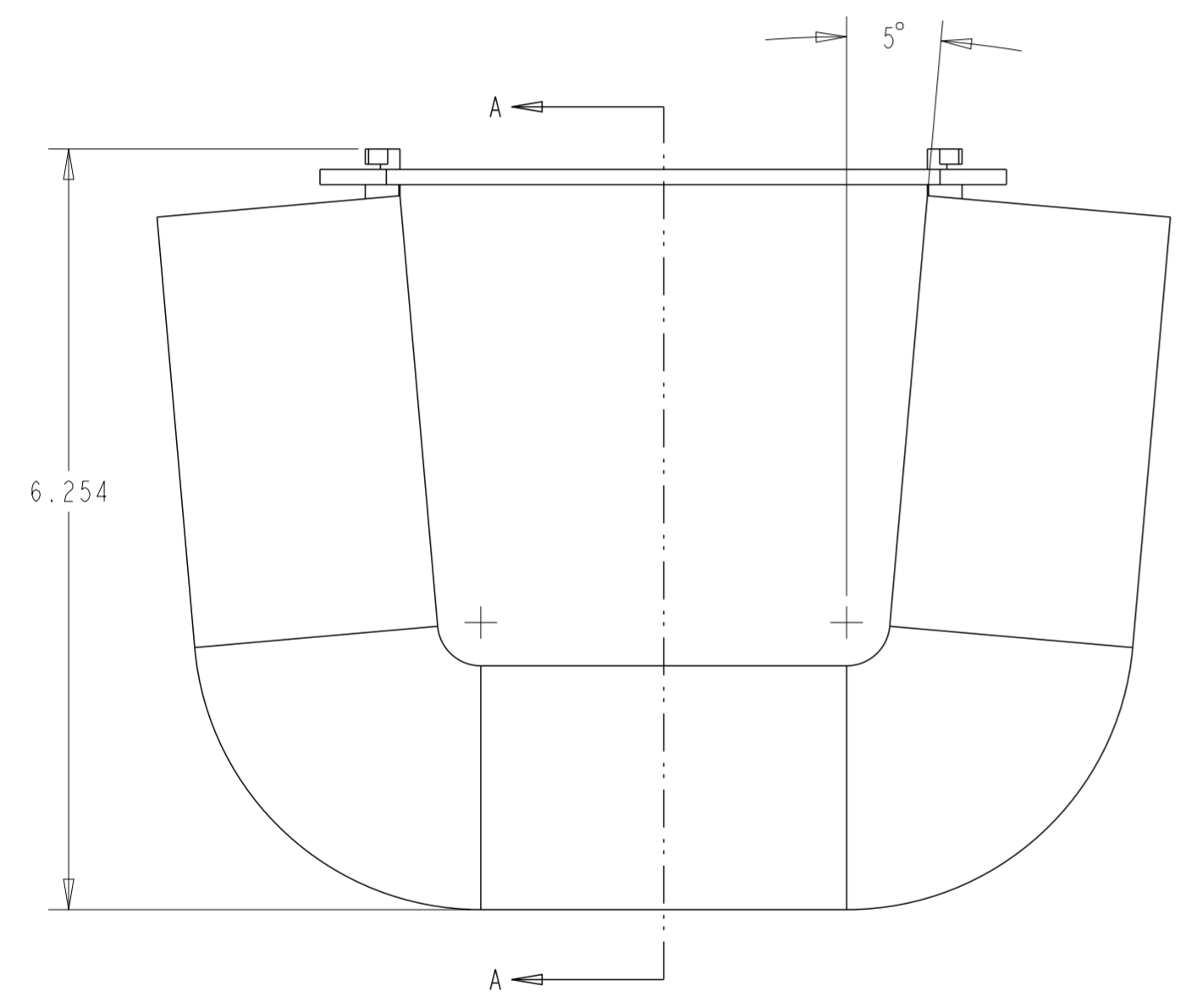
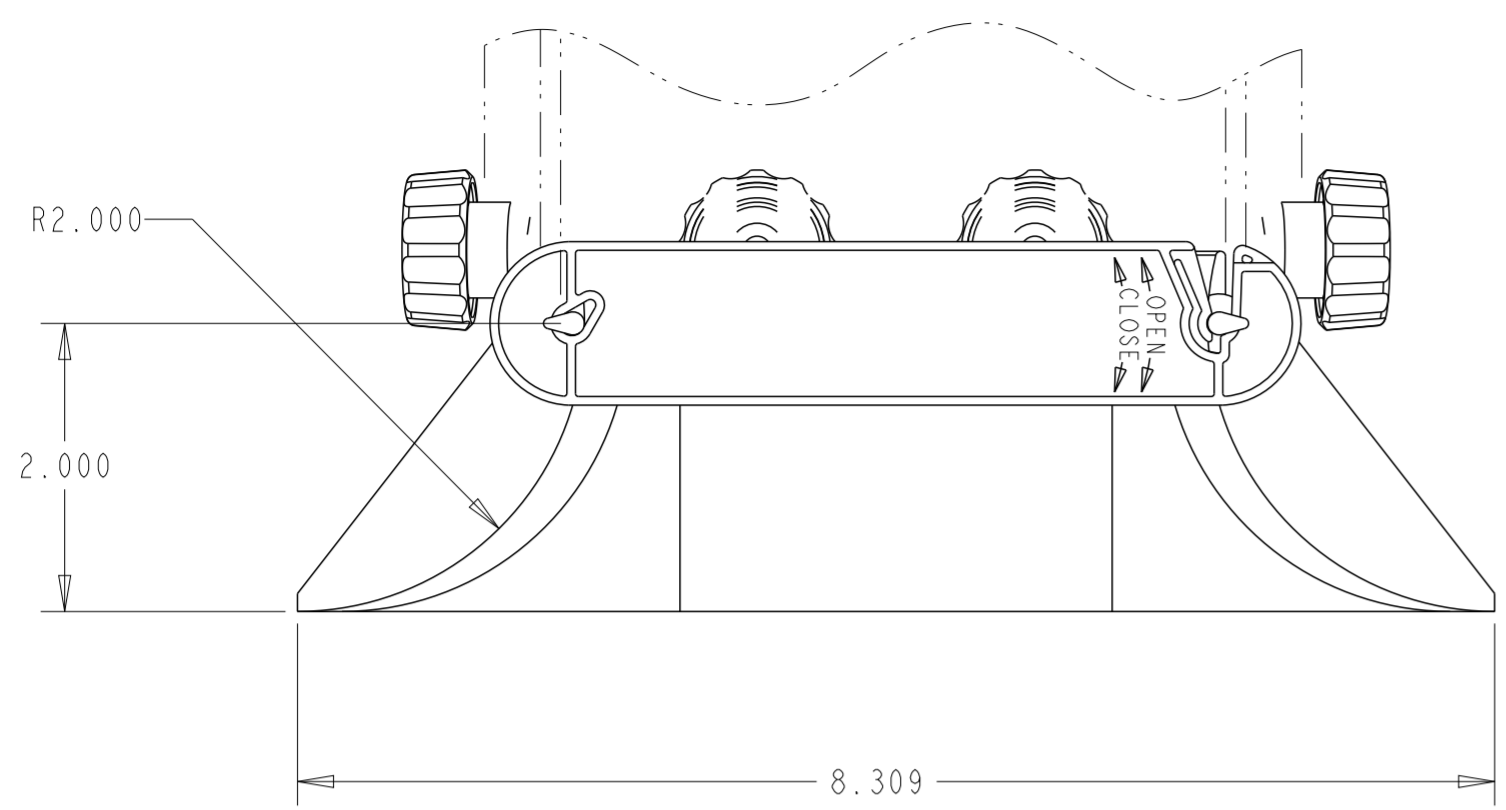


REVISIONS			
REV	DESCRIPTION	DATE	APPROVED
F	20273560	03-FEB-10	RCR
C	40176784CMO	27-SEP-2023	MAM

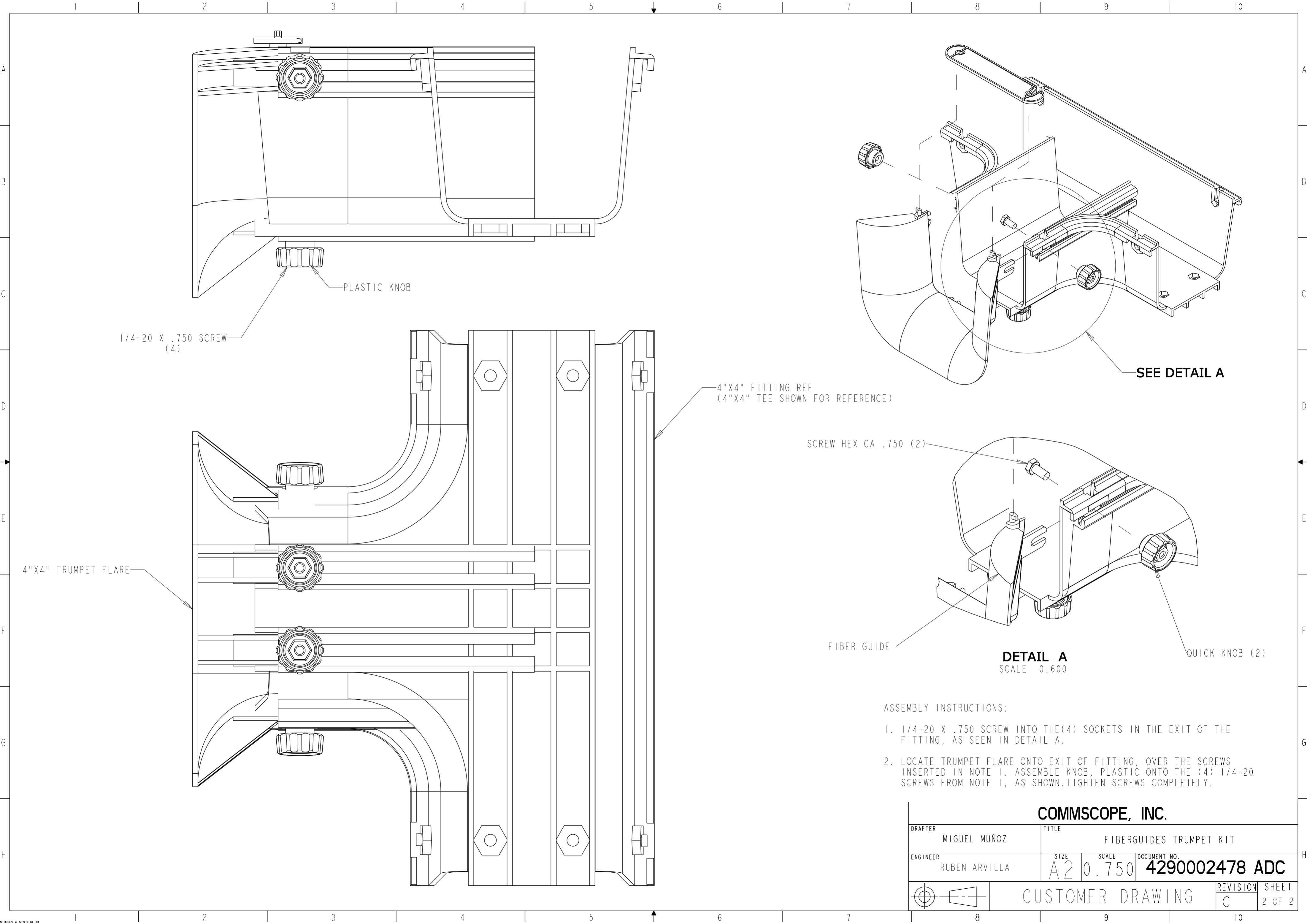


SECTION A-A
SCALE 0.750

NOTES:
1. MATERIAL IS SELF EXTINGUISHING WITH A UL 94 RATING OF V-0.

FGSB-MTRM-A	BLACK
FGS-MTRM-A	YELLOW
CATALOG NO.	COLOR

COMMSCOPE, INC.			
DRAFTER MIGUEL MUÑOZ	TITLE FIBERGUIDES TRUMPET KIT		
ENGINEER RUBEN ARVILLA	SIZE A2	SCALE 0.750	DOCUMENT NO. 4290002478 ADC
CUSTOMER DRAWING			REVISION C
			SHEET 1 OF 2



ASSEMBLY INSTRUCTIONS:

1. 1/4-20 X .750 SCREW INTO THE(4) SOCKETS IN THE EXIT OF THE FITTING, AS SEEN IN DETAIL A.
2. LOCATE TRUMPET FLARE ONTO EXIT OF FITTING, OVER THE SCREWS INSERTED IN NOTE 1. ASSEMBLE KNOB, PLASTIC ONTO THE (4) 1/4-20 SCREWS FROM NOTE 1, AS SHOWN.TIGHTEN SCREWS COMPLETELY.

COMMSCOPE, INC.			
DRAFTER MIGUEL MUÑOZ		TITLE FIBERGUIDES TRUMPET KIT	
ENGINEER RUBEN ARVILLA	SIZE A2	SCALE 0.750	DOCUMENT NO. 4290002478 ADC
CUSTOMER DRAWING			REVISION SHEET C 2 OF 2