



FOSC650 Ordering Guide

COMMScope®

FOSC650 Introduction

FOSC650 is high capacity fiber splicing closure built on industry-leading design of FOSC family. It can be used in a variety of trunk and feeder applications for splicing a wide range of fiber cables types and sizes.

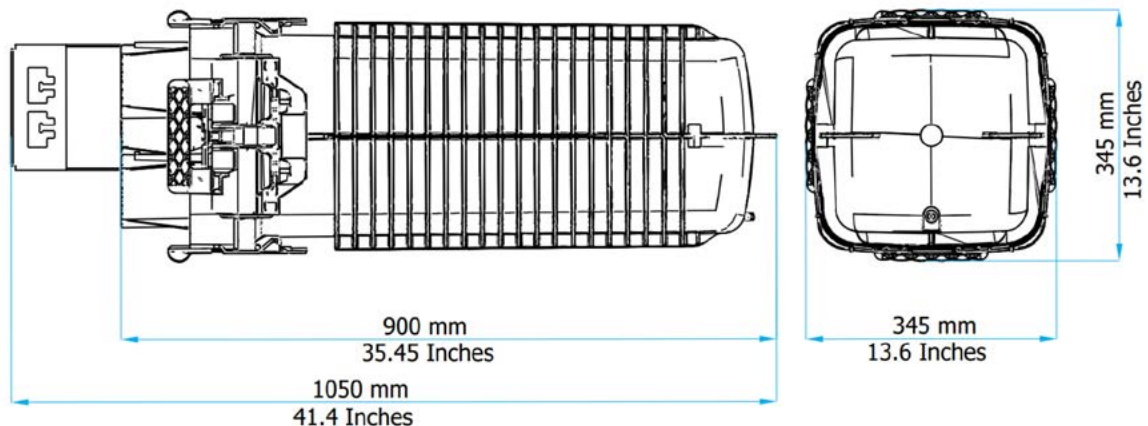


The sealing system of the FOSC650 capitalizes on the well-established reliability of the FOSC450 and FOSC600 series, incorporating the versatile and widely acclaimed gel sealing technology. The dome system seamlessly seals to the closure's base through four latches, eliminating the requirement for grease or lubricants when opening and re-entering the closure.

FOSC650 can be deployed across a range of outdoor plant applications, serving various functions such as splicing nearly any cable type with diameters up to 1.6 inches and accommodating a remarkable 6,912 fiber splice capacity.

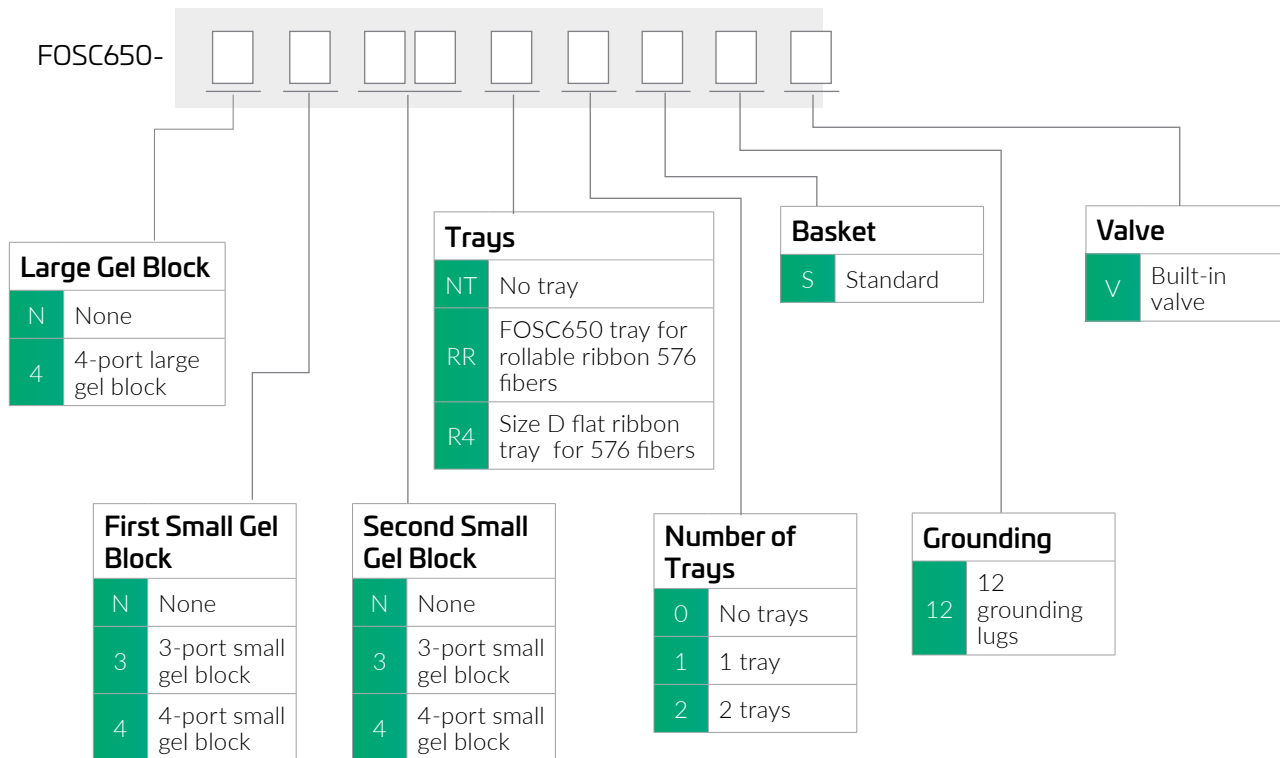
The FOSC650 wide trays provide more space for spliced fibers and efficient fiber slack management. Moreover, they are fully backward compatible, enabling the utilization of FOSC-C and FOSC-D trays as well.

FOSC650	DETAILS
Application	Above and below grade
Splice Capacity	6,912 Rollable ribbon, 3,456 flat matrix ribbon, and 3,456 stranded fibers
Number of trays	12 single height trays or 6 double height trays
Capacity per tray	576 ribbon fibers or 288 stranded fibers
Maximum cable size	1.6 inches
Cable port quantity	Up to 12 ports
Dimensions (L x W x H)	34.45 x 13.6 x 13.6 inches
Valve	Air valve integrated
Grounding	12 lugs, can be common or isolated with external plate
Sealing level	IP68 5-meter waterhead
Basket	Storage basket included
Accessories	Range of accessories including gel sealing for drop cables, splitters, and passive optic components



FOSC650

ORDERING INFORMATION



PART NUMBER EXAMPLES

MID	PN	DESCRIPTION
760251859	FOSC650-NNN-NT-0-S12V	FOSC650 closure, no trays, no gel sealing. Includes standard basket, 12 grounding lugs and valve. Sealing and cover for unused ports need to be ordered separately.
760256972	FOSC650-N44-NT-0-S12VA	FOSC650 closure, no trays. Includes standard basket, two kits of 4-way small sealing gel and cover for the large port. Equipped with valve and 12 grounding lugs.
760256971	FOSC650-N44-R4-2-S12VA	FOSC650 closure with 2 double height size D trays for 576 flat matrix ribbon. Includes standard basket, two kits of 4-way small sealing gel and cover for the large port. Equipped with valve and 12 grounding lugs.



760256972
FOSC650-N44-NT-0-S12VA



760256971
FOSC650-N44-R4-2-S12VA



760251859
FOSC650-NNN-NT-0-S12V

FOSC650

ACCESSORIES

MID	PN	DESCRIPTION
760253755	FOSC650-ACC-4PORTGEL-2/0.9IN-2/1.1IN	Small gel segment kit. 4 Ports, 2 ports allowing cables up to 0.9 inches and 2 ports for cables 1.1 inches. Includes cable attachment and collar.
760253759	FOSC650-ACC-3PORTGEL-2/0.8IN-1/1.4IN	Small gel segment kit. 3 Ports, 2 ports for cables up to 0.8 inches and 1 port for cables 1.4 inches. Includes cable attachment and collar.
760253757	FOSC650-ACC-4PORTGEL-2/1.0IN-2/1.6IN	Large gel segment kit. 4 ports, 2 for cables up to 1.6 inches, and 2 for cables up to 1 inch. Includes cables attachment, external cable fixation bracket and collar.
760253756	FOSC650-ACC-SMGELBASE-COVER	Cover for small unused port.
760253758	FOSC650-ACC-LGGELBASE-COVER	Cover for large unused port.
760253761	FOSC650-ACC-TRAY-576-RR-12PK	Kit of 12 trays for 576 rollable ribbon fibers
760253760	FOSC650-ACC-TRAY-576-RR-6PK	Kit of 6 trays for 576 rollable ribbon fibers
760253762	FOSC650-ACC-TRAY-576-RR-2PK	Kit of 2 trays for 576 rollable ribbon fibers
760253764	FOSC650-ACC-AER-BRKT-KIT	Aerial mounting bracket
760253765	FOSC650-ACC-WLMNT-BRKT-KIT	Wall mounting bracket
760252807	FOSC-ACC-BRDSLV-1/4-125	1/4" split sleeving with 1 installation tool for rollable ribbon and 12-fiber flat ribbons. A spool of 125FT
760252808	FOSC-ACC-BRDSLV-3/8-125	3/8" split sleeving with 1 installation tool for rollable ribbon, 12- and 24-fiber flat ribbons. A spool of 125FT
760252809	FOSC-ACC-BRDSLV-1/2-125	1/2" split sleeving with 1 installation tool for high fiber count cables. A spool of 125FT
760253448	FOSC-ACC-BRDSLV-ZIP	ID tag zip ties; bag of 100 pieces
L5904R-000	FOSC-ACC-TRAY-TY-RAPS	Tie-wraps for splice trays.
RH0073-000	FOSC-ACC-LBT-WRAP-100	Adhesive backed wraps primarily for placement onto loose tubes as they enter a splice tray
757849-000	SMOUV-1120-R2/12	Heat-shrinkable, 42 mm, 12 fiber ribbon splice protection sleeve



760253755



760253759



760253757



760253756






760253761



760253761

FOSC650

Gel Seals	UPPER SMALL PORTS		UPPER SMALL PORTS	
	Number of Ports	Cable Outside Diameter Minimum - Max	Number of Ports	Cable Outside Diameter Minimum - Max
Small 3-way 	2	8 - 20 mm 0.32 - 0.79 inch	1	25 - 35 mm 1.0 - 1.38 inches
Small 4-way 	2	8 - 22 mm 0.32 - 0.87 inch	2	10 - 28 mm 0.39 - 1.1 inches
Large 4-way 	2	18 - 25 mm 0.7 - 1.0 inch	2	25 - 40 mm 1.0 - 1.6 inches



[CLICK HERE TO VIEW OUR
INSTALLATION VIDEO](#)

CommScope pushes the boundaries of communications technology with game-changing ideas and ground-breaking discoveries that spark profound human achievement.

We collaborate with our customers and partners to design, create and build the world's most advanced networks. It is our passion and commitment to identify the next opportunity and realize a better tomorrow. Discover more at commscope.com

COMMSCOPE®

commscope.com

Visit our website or contact your local CommScope representative for more information.

© 2024 CommScope, Inc. All rights reserved.

CommScope and the CommScope logo are registered trademarks of CommScope and/or its affiliates in the U.S. and other countries. For additional trademark information see <https://www.commscope.com/trademarks>. All product names, trademarks and registered trademarks are property of their respective owners, products or services.

CO-118448-EN (02/24)