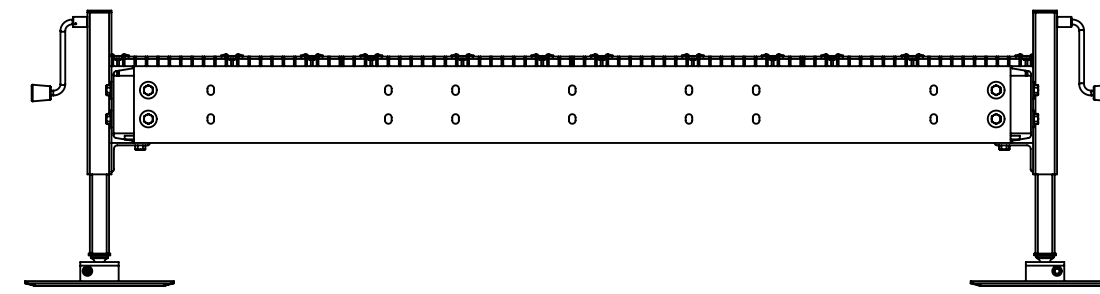
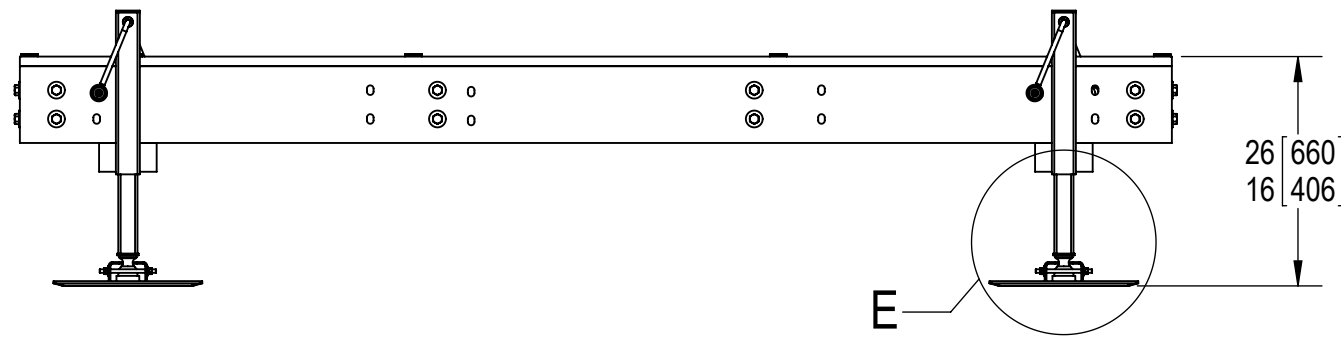
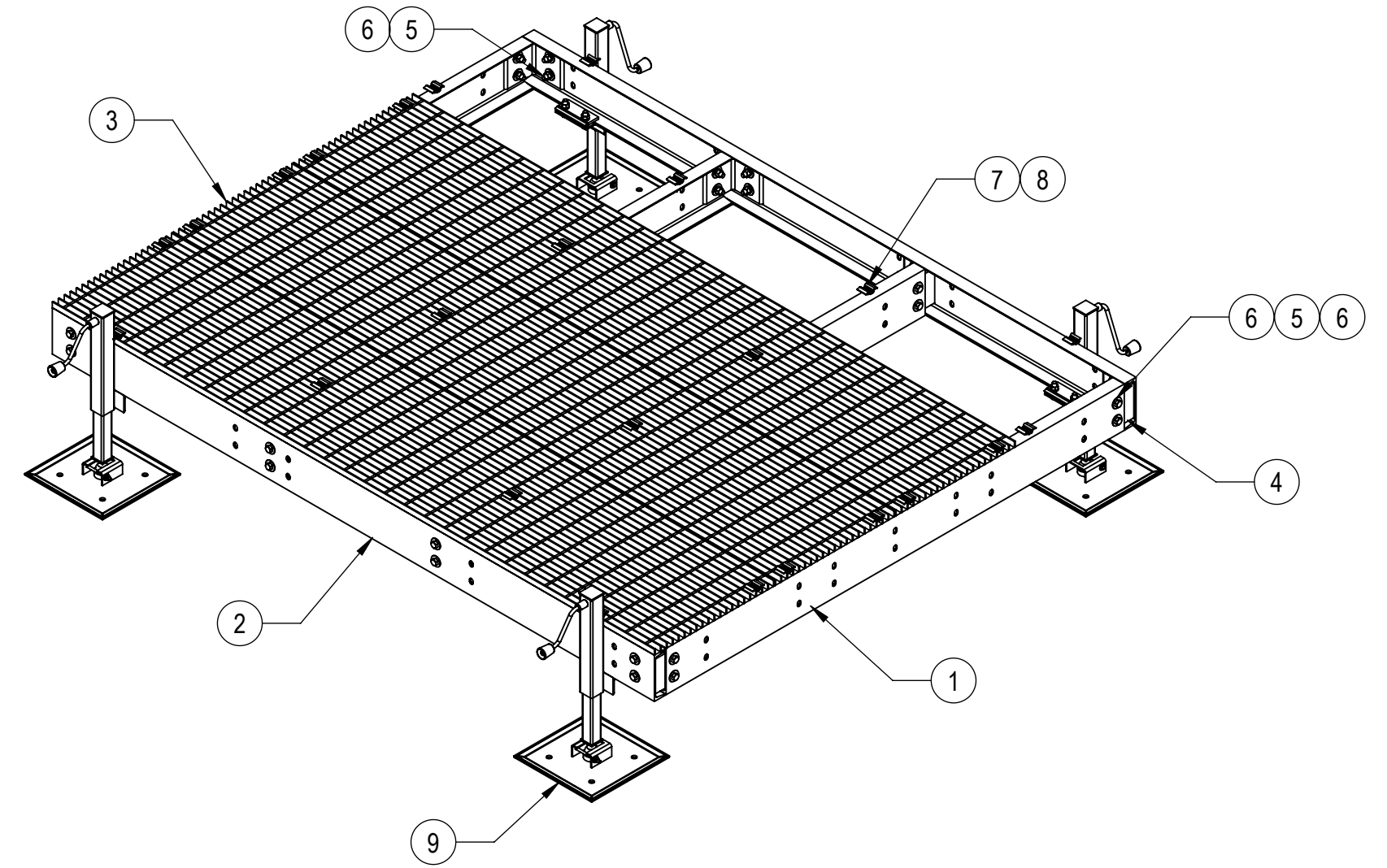
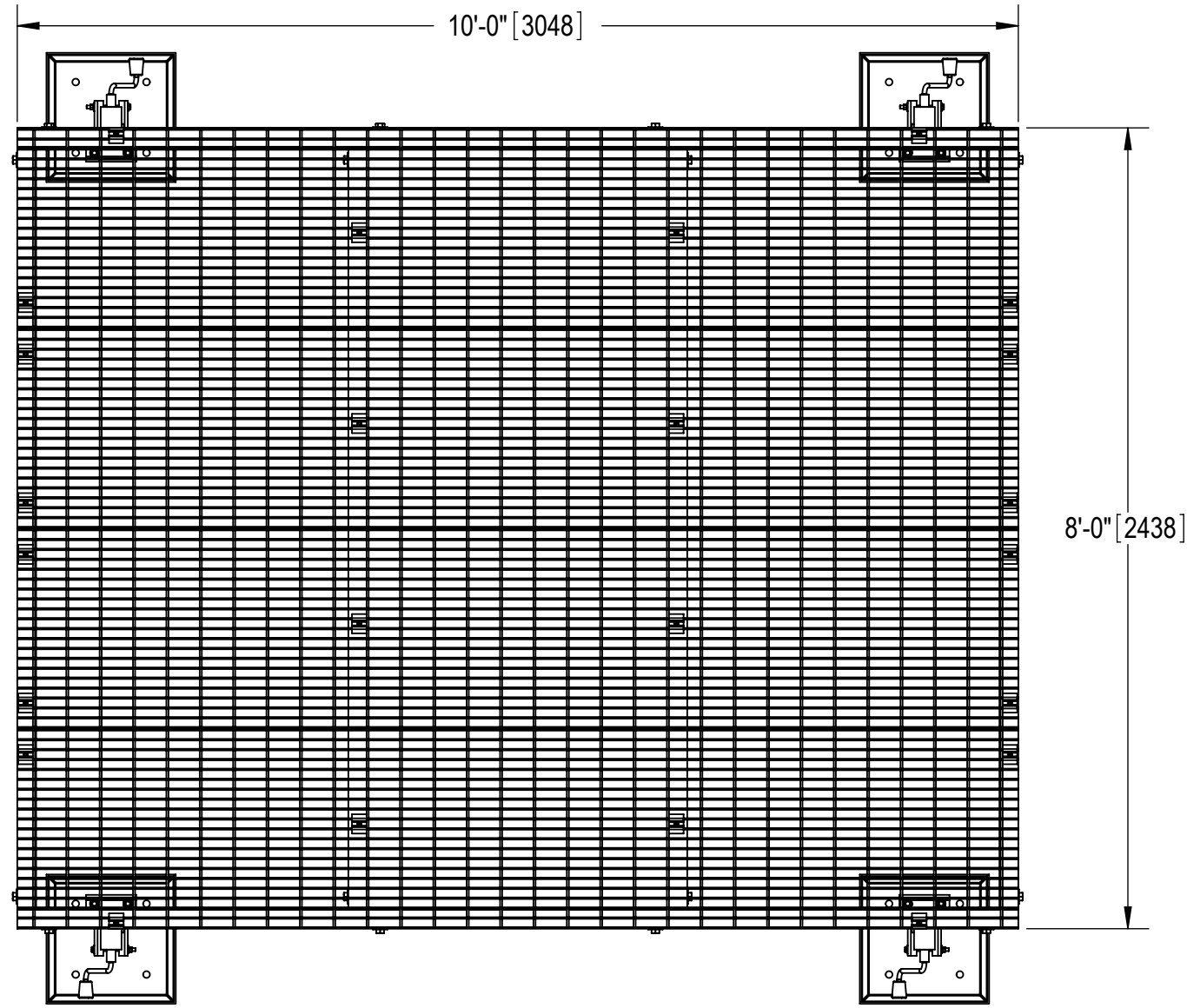


- 1.0 GENERAL NOTES  
 1.1 ALL METRIC DIMENSIONS ARE IN BRACKETS [X.X]  
 1.2 FOR PATENT INFO: <https://www.cs-pat.com>  
 2.0 DESIGN NOTES  
 3.0 MANUFACTURING/SPECIAL REQUIREMENTS  
 3.1 TIGHTEN ALL BOLTS SECURING FLAT PLATES BY THE TURN-OF-NUT METHOD. TIGHTEN ALL U-BOLTS USING TURN-OF-NUT METHOD WITH ATTENTION TO LEAVE EQUAL DISTANCE AND EQUAL FORCE ON EACH LEG OF THE U-BOLT.  
 4.0 TEST  
 5.0 PACKAGING  
 5.1 PACKAGING SHALL MEET COMMSCOPE REQUIREMENTS PER DOCUMENT IS-PL-3005  
 5.2 PRINTED DOCUMENT TO BE PLACED INSIDE POLYBAG AND THEN IN SHIPPING CONTAINER  
 5.3 EXTRA HARDWARE MAY BE SUPPLIED, BAGGED AND SHIPPED

REVISIONS			
REV.	DESCRIPTION	DATE	APPROVED
A	INITIAL RELEASE	MSM 08MAR11	TP
B	UPDATE WEIGHTS	MSM 04APR12	TP
C	UPDATED DRAWING FORMAT; ADDED NOTE; ADDED DIMENSIONS 98.5, 97.5, 39.7&38.4; ADDED SHEET2	LL1090 23NOV23	BCROSS 40183651CMO
D	MTC390324 AND TS1220 WAS GCM03	LL1090 07MAY24	YW1045 40193969CMO



HIDE BAR GRATING FOR CLARITY

COMPONENT PART NUMBERS PROVIDED FOR ASSEMBLY PURPOSES;  
 INDIVIDUAL COMPONENTS MAY BE SHIPPED AS PARTS WITHIN AN INCLUDED KIT.

ITEM	PART NO.	DESCRIPTION	QTY.	WEIGHT	NOTE NO.
1	MTC7902080801	8' CENTER CHANNEL	4	86.21 LBS	
2	MTC7902101001	SIDE CHANNEL C8 X 11.5#	2	113.50 LBS	
3	MTC7902081001	24" X 120" BAR GRATING	4	141.45 LBS	
4	MTC790203	CHANNEL ADAPTER ANGLE	8	7.07 LBS	
5	GB-05205	5/8" X 2" GALV BOLT KIT	32	0.26 LBS	
6	GWF-05	5/8" GALV FLAT WASHER, 1.70D	64	0.06 LBS	
7	MTC390324	BAR GRATING CLIP	24	0.17 LBS	
8	TS1220	12-24 X 2" SELF DRILLING SCREW	24	0.03 LBS	
9	EQ-P-AL	ADJ. LEG FOR EQUIPMENT PLATFORMS	4	56 LBS	

DENSITY		lbs/in <sup>3</sup>
MASS	1438.31	lbs
VOLUME	4911.04	in <sup>3</sup>
SURFACE AREA	48072.85	in <sup>2</sup>
HEIGHT	21.0"	
LENGTH	120.0"	
WIDTH	114.0"	

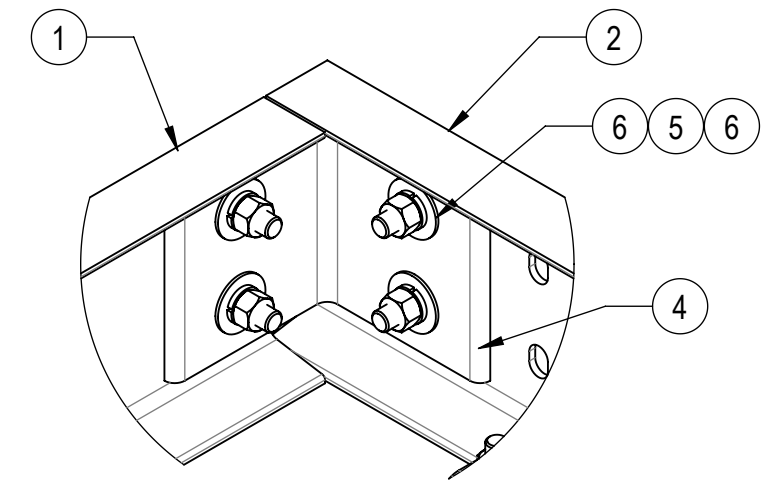
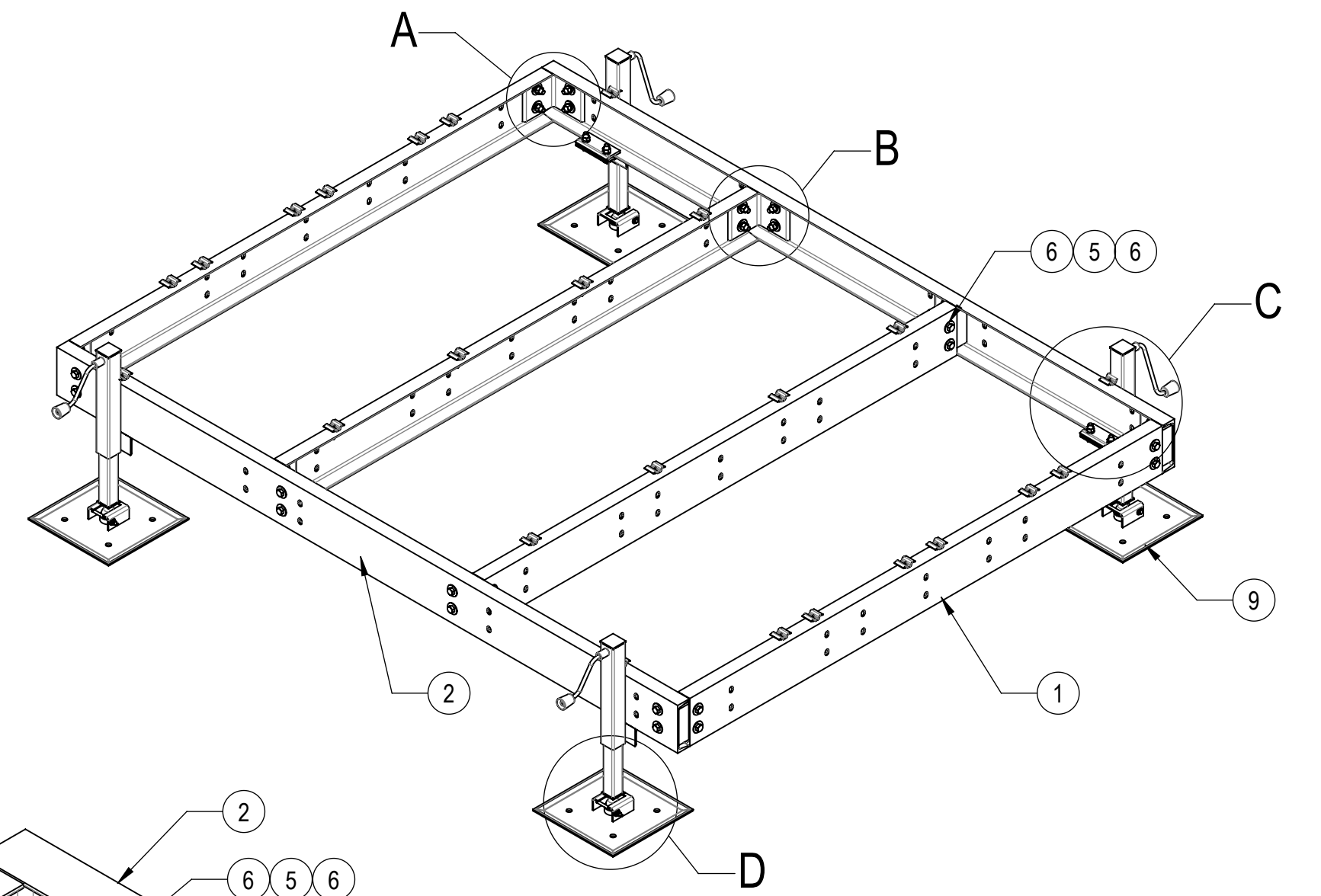
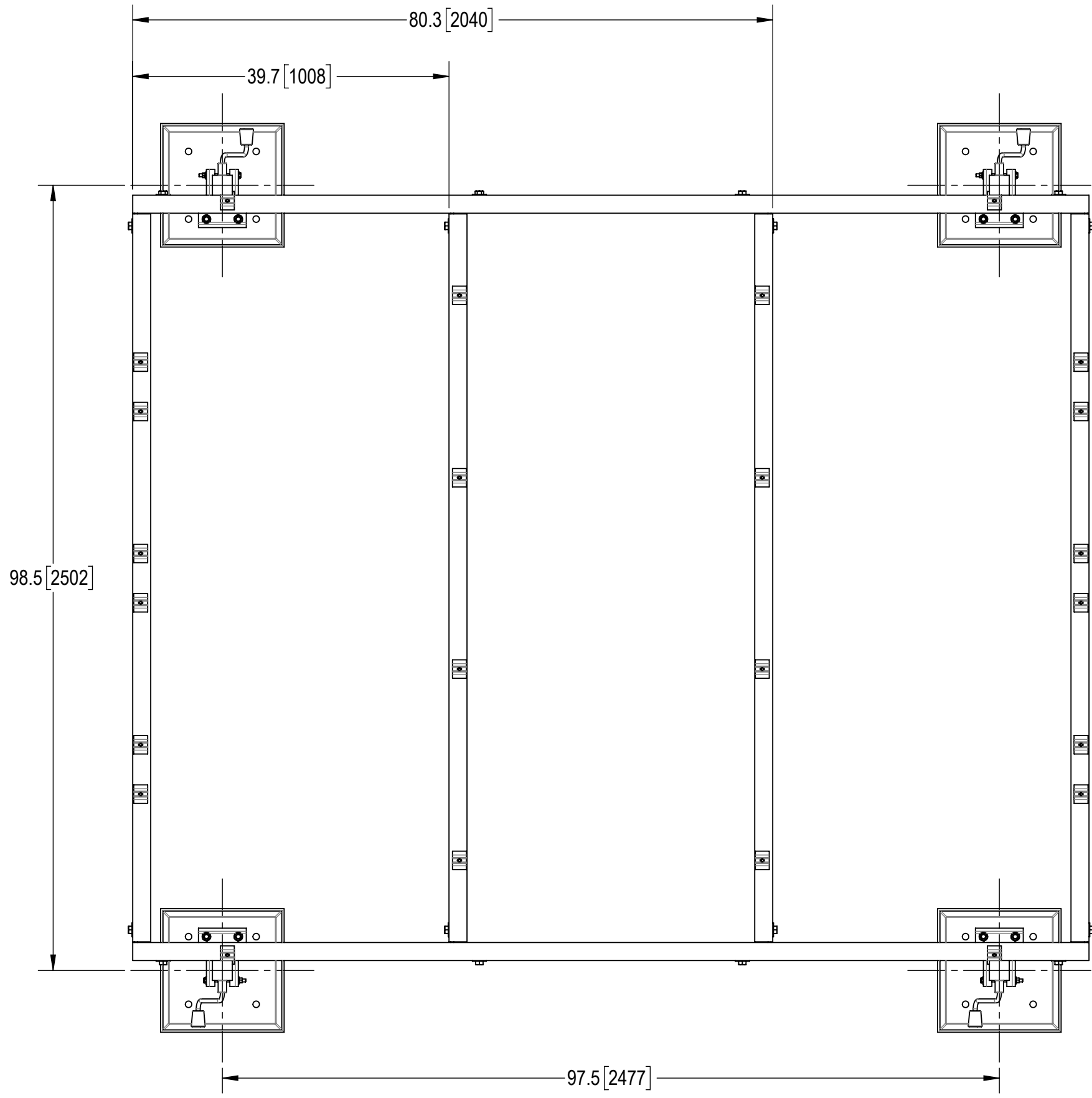
<b>COMMSCOPE, INC. OF NORTH CAROLINA</b>			
TOLERANCES		SAP MATERIAL MASTER	
1 PLACE .X[X] ± 0.12[3.0]	3 PLACE .XXX[X] ± 0.03[0.8]	<b>EQ-P0810-AL</b>	
2 PLACE .XX[X] ± 0.06[1.5]	ANGLES ± 2°		
FINISH		MATERIAL	
UNLESS OTHERWISE SPECIFIED DIMENSIONS ARE IN INCHES INTERPRET PER ANSI Y 14.5M-1994	NAME	DATE	TITLE
	CE MSM	08MAR11	<b>EQUIPMENT PLATFORM 8' X 10' W/ 4 AL</b>
	RW LL1090	05/23/2024	
	AD YMENG	05/23/2024	
RE YMENG	05/23/2024		
ECN 40193969CMO	SCALE	DOCUMENT NO.	
	<b>1:24</b>	<b>EQ-P0810-AL</b>	
SIZE	Auth Group	INSL	MODEL
<b>C</b>			
	VERSION	STATUS	REVISION
	02	RE	D
		VERSION	STATUS
		02	RE
		REVISION	
		D	
			SHEET
			1 OF 2

4

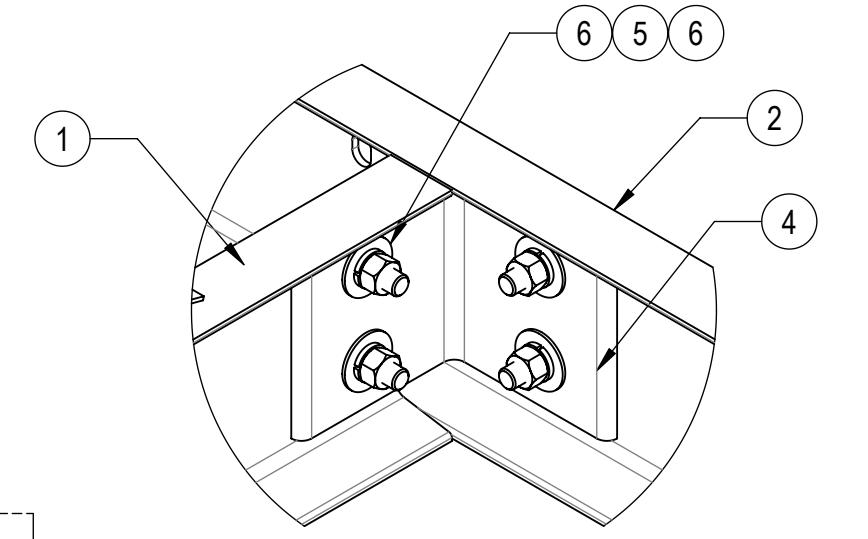
3

2

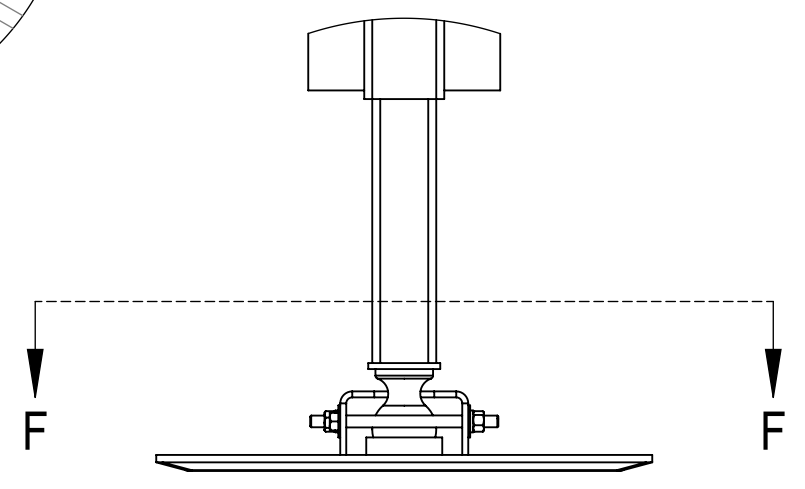
1



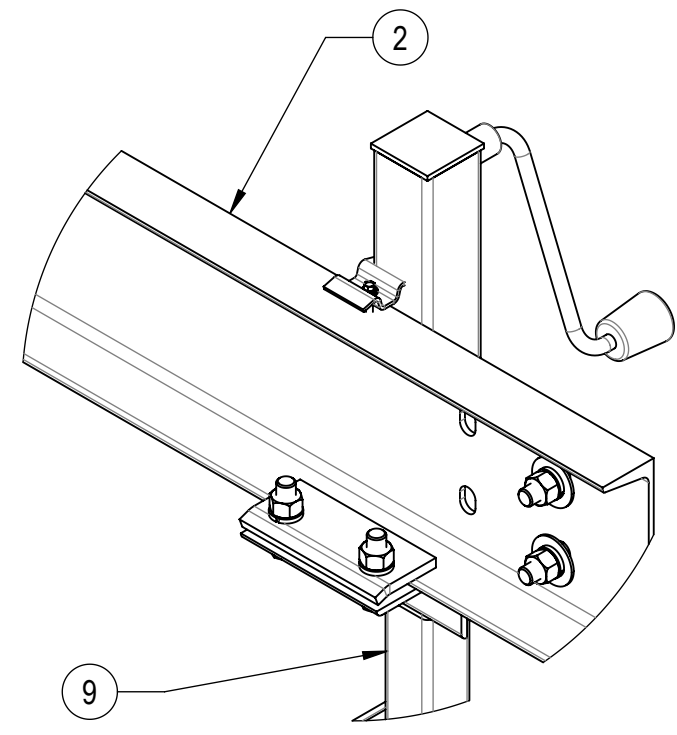
DETAIL A  
SCALE 1 : 5



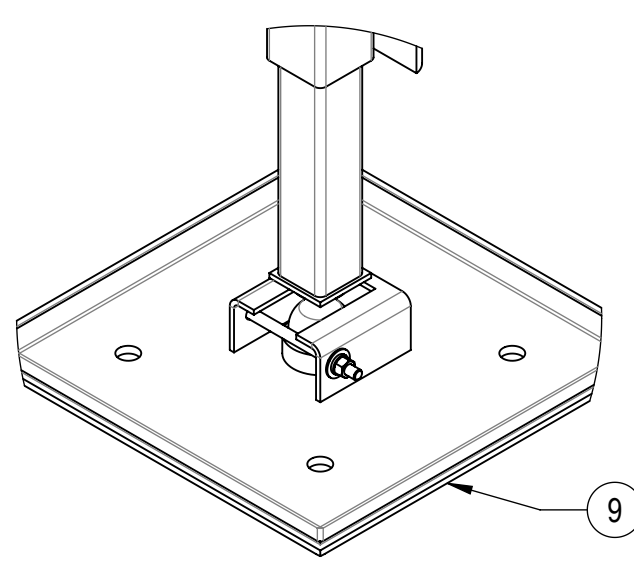
DETAIL B  
SCALE 1 : 5



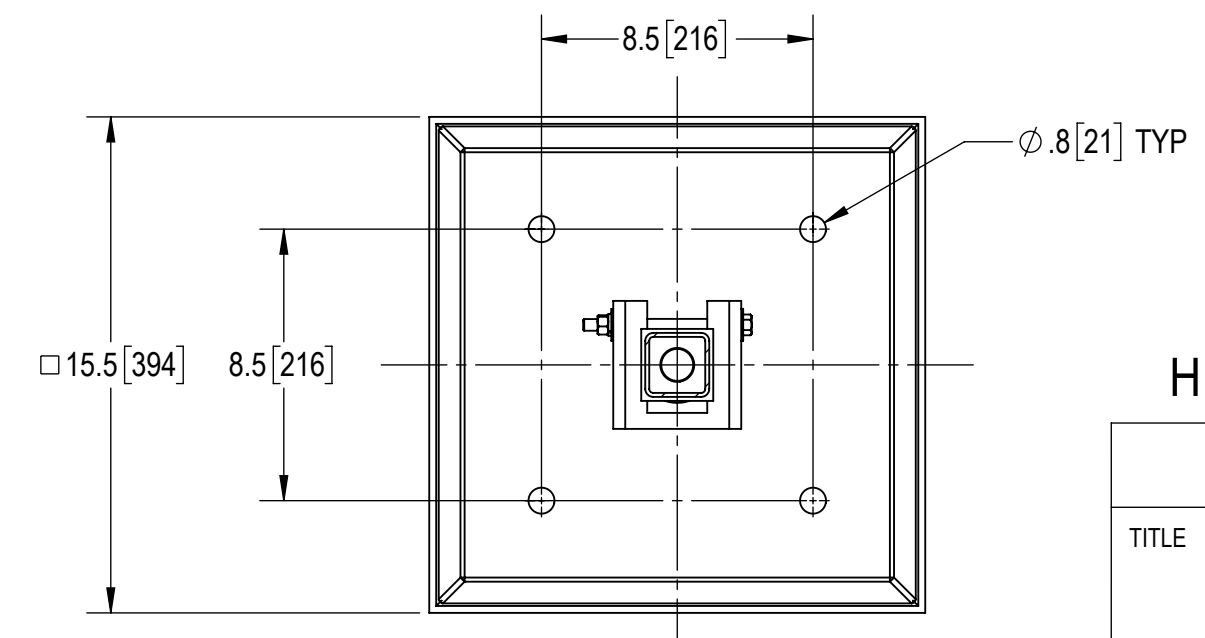
DETAIL E  
SCALE 1 : 6



DETAIL C  
SCALE 1 : 6



DETAIL D  
SCALE 1 : 6



SECTION F-F  
SCALE 1 : 6

HIDE BAR GRATING FOR CLARITY

COMMSCOPE, INC. OF NORTH CAROLINA			
TITLE EQUIPMENT PLATFORM 8' X 10' W/ 4 AL			
SIZE C	SCALE 1:24	DOCUMENT NO. EQ-P0810-AL	
		DRAWING	
		VERSION	STATUS
		02	RE
		REVISION	
		D	
			SHEET 2 OF 2

4

3

2

1