

4

3

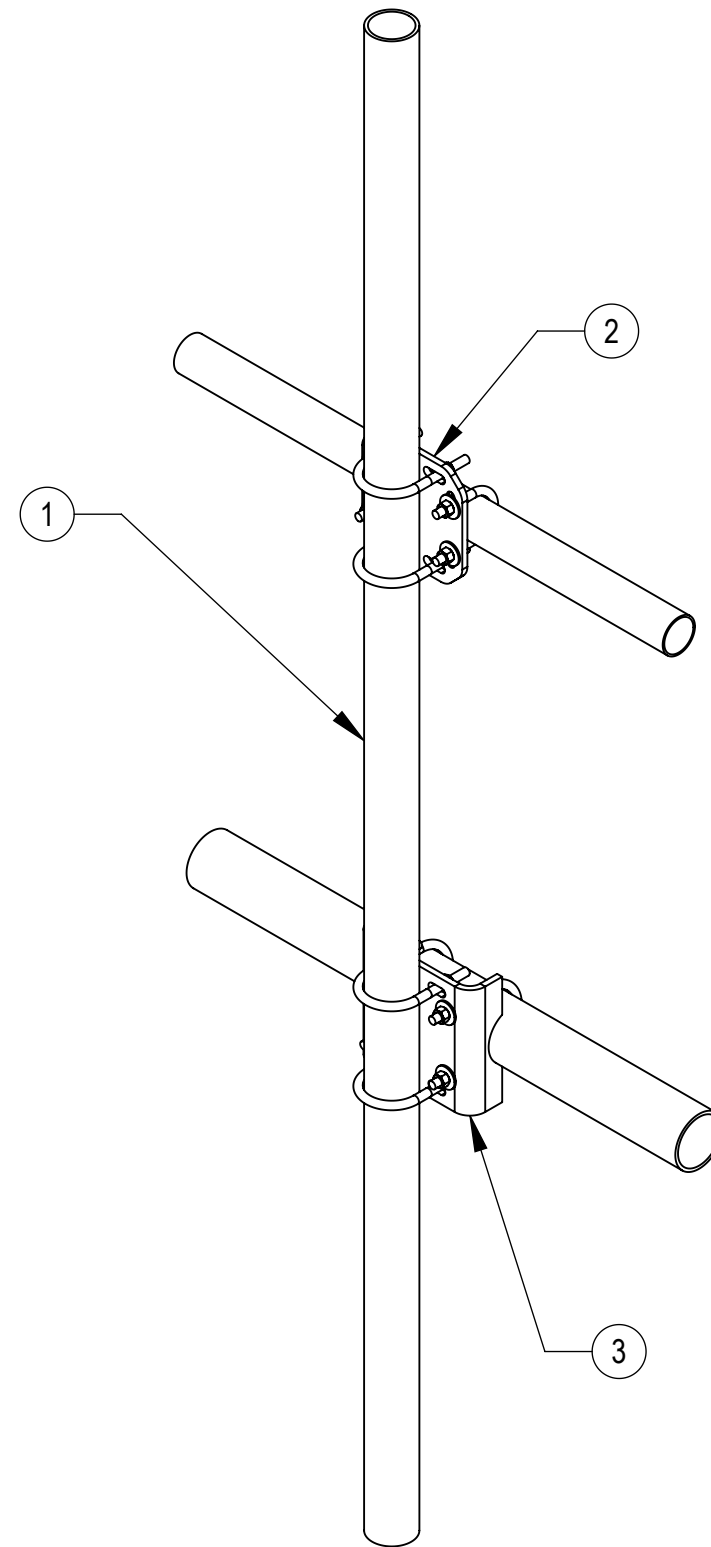
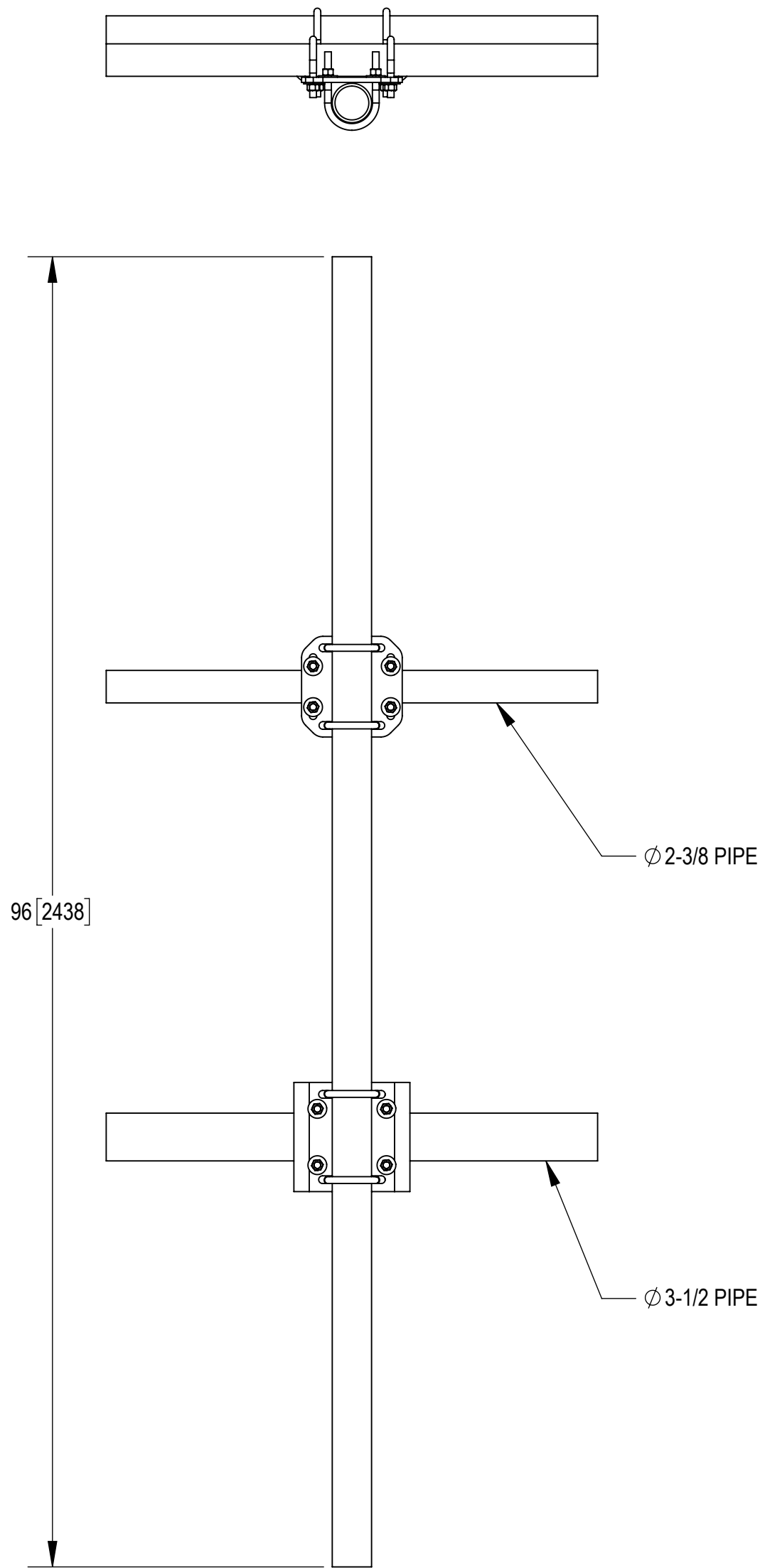
2

1

NOTES:

- 1. GENERAL
  - 1.1 ALL METRIC DIMENSIONS ARE IN BRACKETS
  - 1.2 MARK PART WITH IDENTIFICATION NUMBER
- 2. DESIGN NOTES
  - 2.1 FOR LOADING SEE ENGINEERING SPEC SHEET
- 3. MANUFACTURING/SPECIAL REQUIREMENTS
- 4. TEST
- 5. PACKAGING
  - 5.1 PACKAGING SHALL MEET COMMSCOPE REQUIREMENTS PER DOCUMENT IS-PL-3005

REVISIONS				
REV.	ECN	DESCRIPTION	BY	DATE
A	12678	INITIAL RELEASE	RJC	5/21/2021



ITEM NO.	PART NUMBER	DESCRIPTION	QTY.
1	MT54696	Ø 2.875" O.D. X 96 SCH40 PIPE	1
2	XP-2025	CROSSOVER PLATE KIT, 2-3/8 OD X 2-7/8 OD	1
3	MT-219M-H	3.5" OD X 2-7/8" OD Clamp Bracket Assembly	1

DENSITY	95.769	lbs/in <sup>3</sup>
MASS	340.108	lbs
VOLUME	3440.540	in <sup>3</sup>
SURFACE AREA		in <sup>2</sup>
HEIGHT		
LENGTH		
WIDTH		

<b>COMMSCOPE, INC. OF NORTH CAROLINA</b>										
TOLERANCES					SAP MATERIAL MASTER					
1 PLACE .X ±			SEE NOTE 1		3 PLACE .XXX ±			<b>MC-PK-278-DSHKIT</b>		
2 PLACE .XX ±		ANGLES ±								
FINISH GALV A123					MATERIAL A1011/A1018					
UNLESS OTHERWISE SPECIFIED DIMENSIONS ARE IN INCHES INTERPRET PER ANSI Y 14.5M-1994	CE	RJC	05/21/21	<b>KIT, MC 96" ANTENNA PIPE W/ MOUNTING HDW</b>						
	RW	BCAMPBELLCON	07/01/2021							
	AD	BCROSS	07/01/2021							
	RE	BCROSS	07/01/2021							
	ECN	12678PC								
SCALE	<b>1:10</b>		DOCUMENT NO. <b>MC-PK-278-DSHKIT</b>							
SIZE	Auth Group	INSL	MODEL			DRAWING				SHEET 1 OF 1
<b>C</b>			VERSION	STATUS	REVISION	VERSION	STATUS	REVISION		
			00	RE	A	00	RE	A		

4

3

2

1