

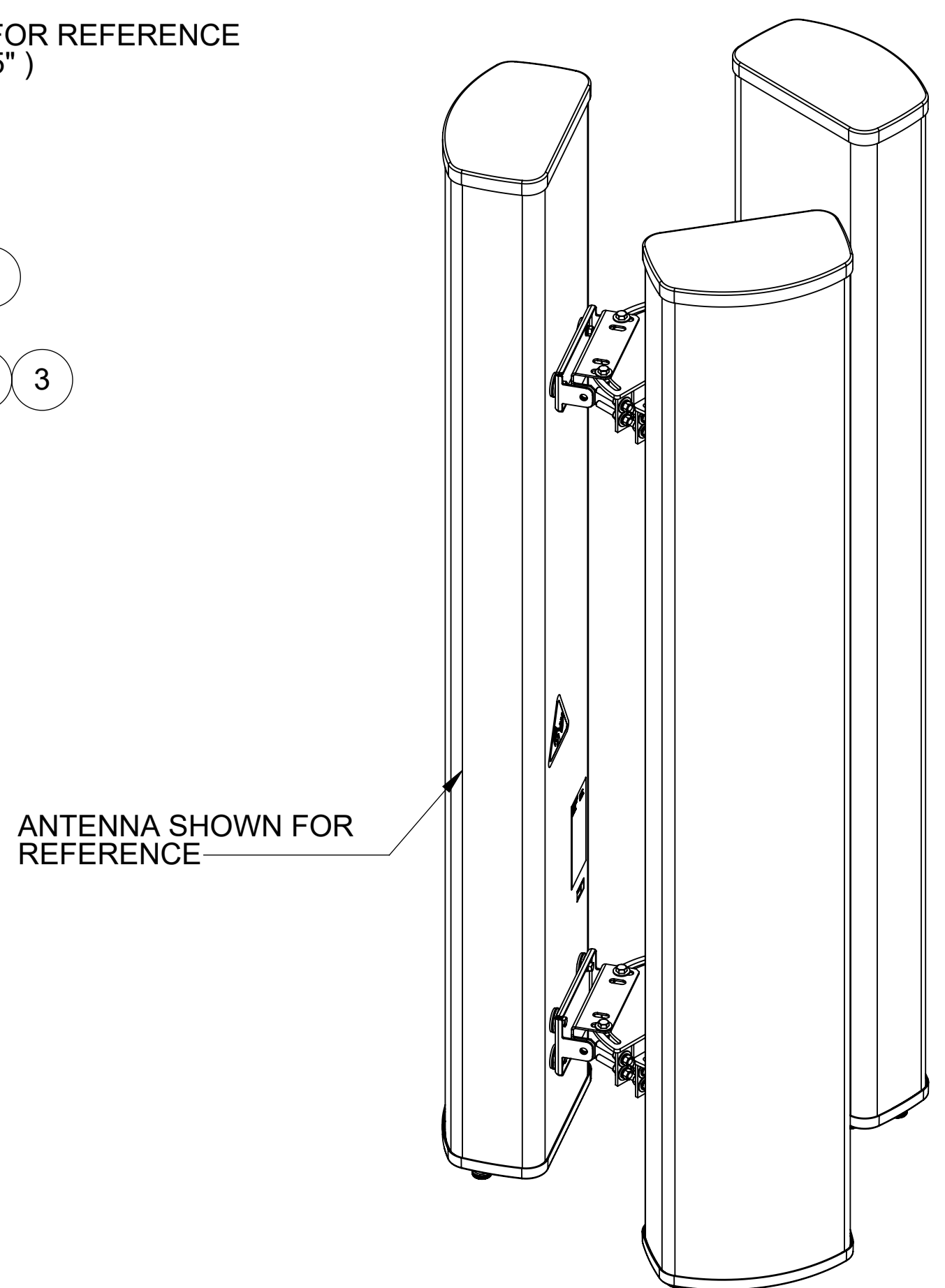
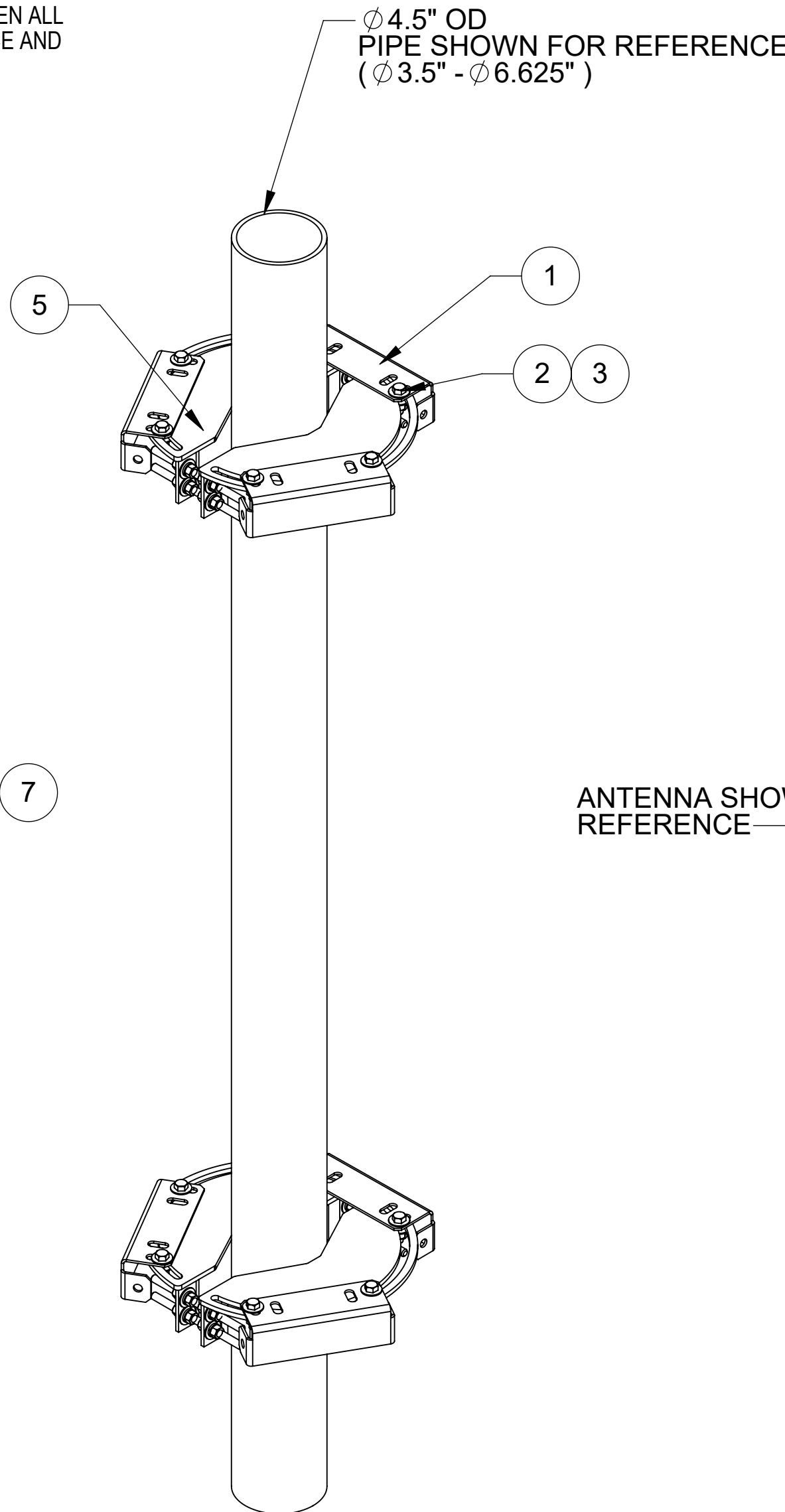
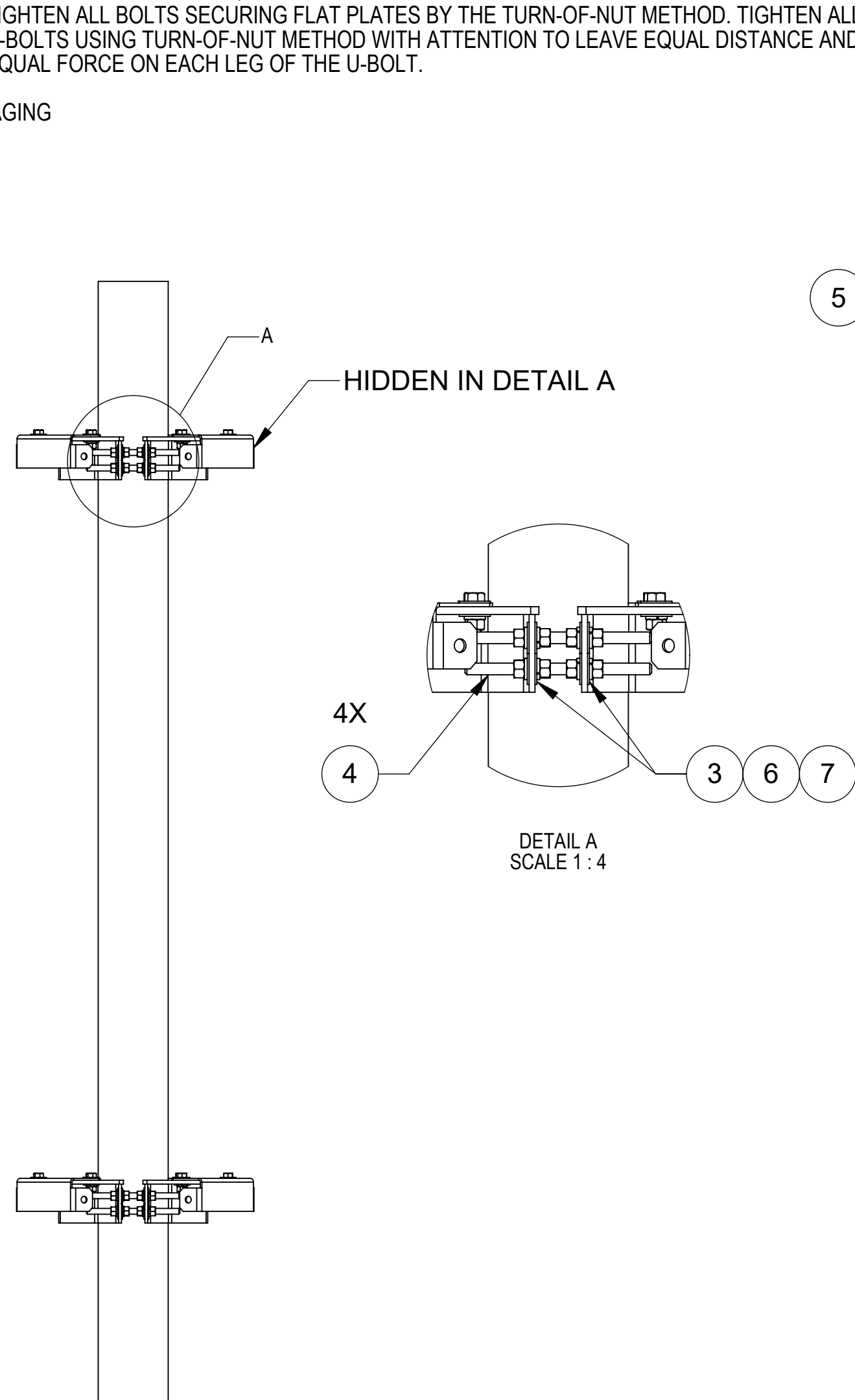
1.0 GENERAL
 1.1. ALL METERIC DIMENSIONS ARE IN BRACKET

2.0 DESIGN NOTE
 2.1 PIPE SIZE RANGE - 3.5" - 6.625" OD
 2.2 ANTENNA MODELS SHOWN - COMMSCOPE PART # SBJAHH-1D65B-DL

3.0 MANUFACTURING/SPECIAL REQUIRMENTS
 3.2 TIGHTEN ALL BOLTS SECURING FLAT PLATES BY THE TURN-OF-NUT METHOD. TIGHTEN ALL U-BOLTS USING TURN-OF-NUT METHOD WITH ATTENTION TO LEAVE EQUAL DISTANCE AND EQUAL FORCE ON EACH LEG OF THE U-BOLT.

4.0 TEST
 5.0 PACKAGING

REVISIONS				
REV.	ECN	DESCRIPTION	BY	DATE
A	8000031047	INITIAL RELEASE	FA	08/13/18
B	8000042334	UPDATED CLAMP PLATE FOR 3.5" TO 6.5" POLES	RKH	8/26/2020
C	40146796CMO	MT3776 WAS GB-03225, ADDED ADDITIONAL NUTS AND LOCK WASHERS 6.625" WAS 6.5" IN ZONE D2	JL1183	04/14/2022



BOM IS FOR REFERENCE ONLY. SEPARATELY SUPPLIED SAP BOM CONTROLS CONTENT

ITEM	PART NO.	DESCRIPTION	QTY.	WEIGHT	NOTE NO.
1	MTC373102	ANTENNA MOUNT BRACKET	6	1.05 LBS	
2	GB-03125	3/8" X 1-1/4" GALV BOLT KIT	12	0.06 LBS	
3	GWLF-03	3/8" GALV FLAT WASHER	56	0.01 LBS	
4	MT3776	3/8" X 6" GALV THREADED ROD	8	0.19 LBS	
5	MTC373109	WELDMENT, NON AZIMUTH ANT MOUNT	4	5.22 LBS	
6	GWL-03	3/8" GALV LOCK WASHER	32	0.01 LBS	
7	GN-03	3/8" GALV HEX NUT	32	0.02 LBS	

DENSITY	0.28	lbs/in ³
MASS	96.16	lbs
VOLUME	340.59	in ³
SURFACE AREA		in ²
HEIGHT		
LENGTH		
WIDTH		

COMMSCOPE, INC. OF NORTH CAROLINA									
TOLERANCES					SAP MATERIAL MASTER				
0 PLACE X ± 0.25		2 PLACE .XX ± 0.06			MTC37319				
1 PLACE .X ± 0.12		ANGLES ± 2°							
FINISH GALV A123					MATERIAL A1011/A1018 GR36				
UNLESS OTHERWISE SPECIFIED DIMENSIONS ARE IN INCHES INTERPRET PER ANSI Y14.5M-1994	NAME	DATE	TITLE						
	CE FAT024	08/23/2018	NON STD AZIMUTH ANTENNA MOUNT						
	RW								
	RV								
	AD								
RE LMCDOWEL	05/13/2022	SCALE 1:6	DOCUMENT NO. MTC37319						
ECN 40146796CMO									
SIZE C	WORK AREA	INSL	MODEL			DRAWING			
			VERSION 04	STATUS RE	REVISION C	VERSION 05	STATUS RE	REVISION C	SHEET 1 OF 2

4

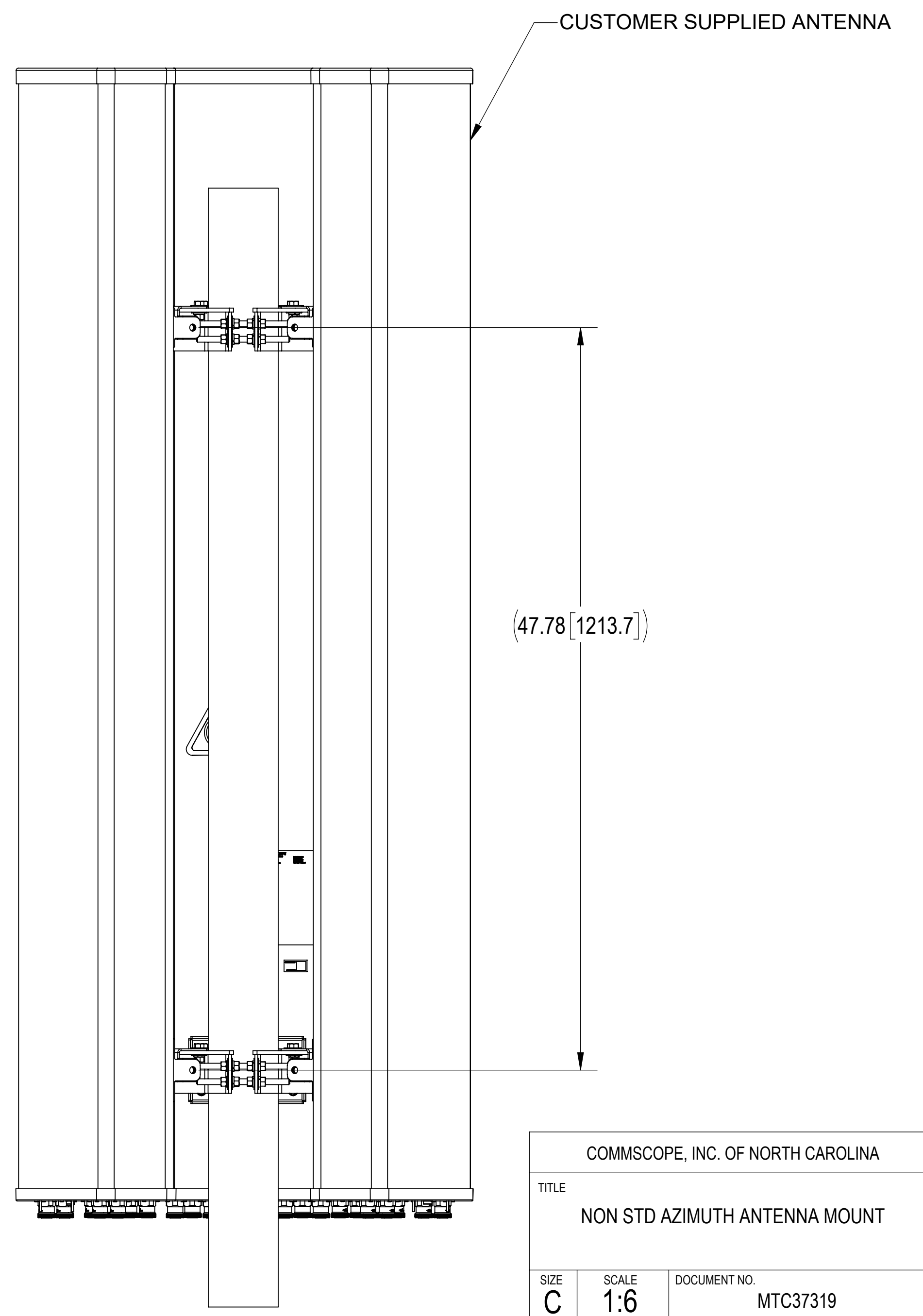
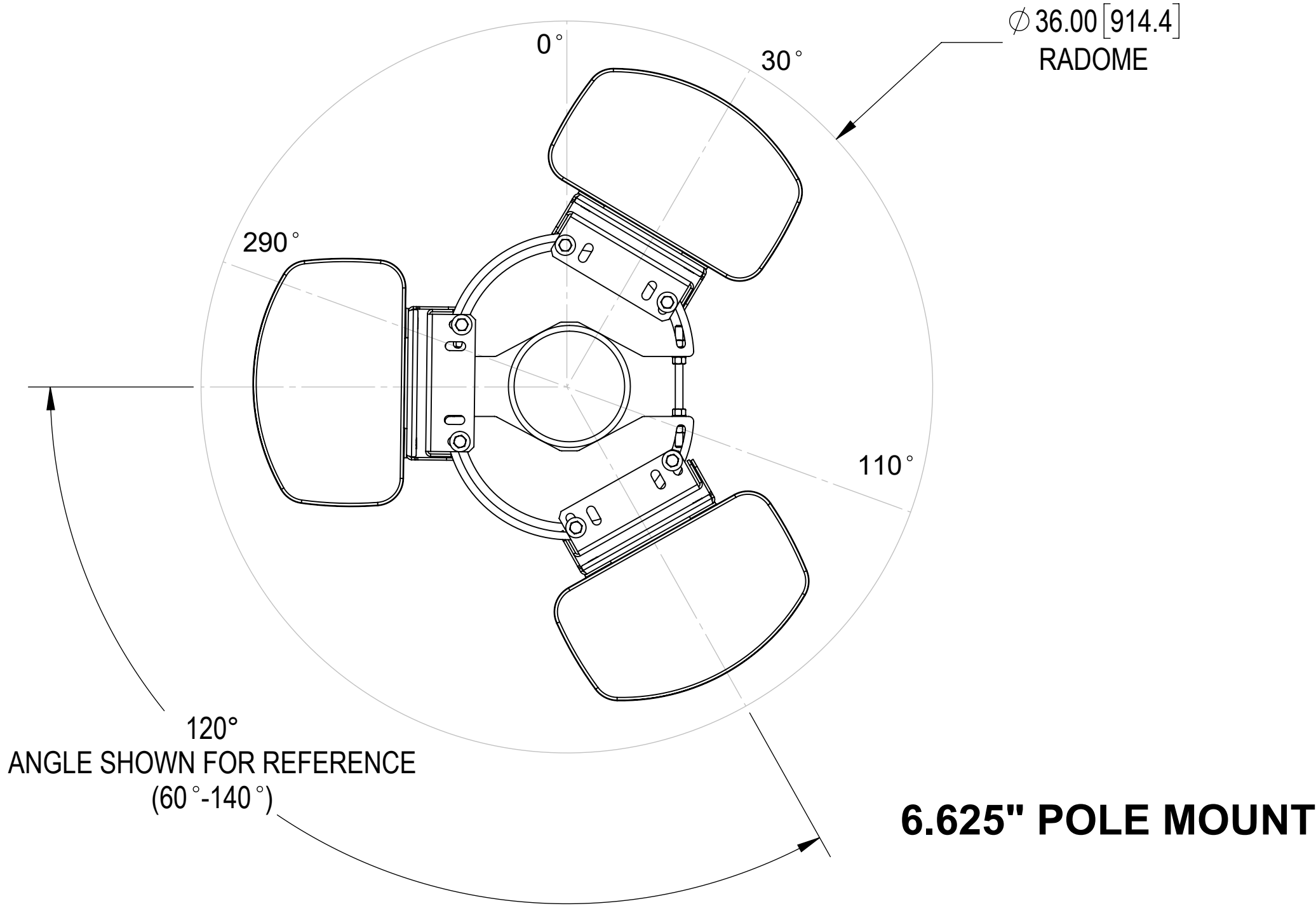
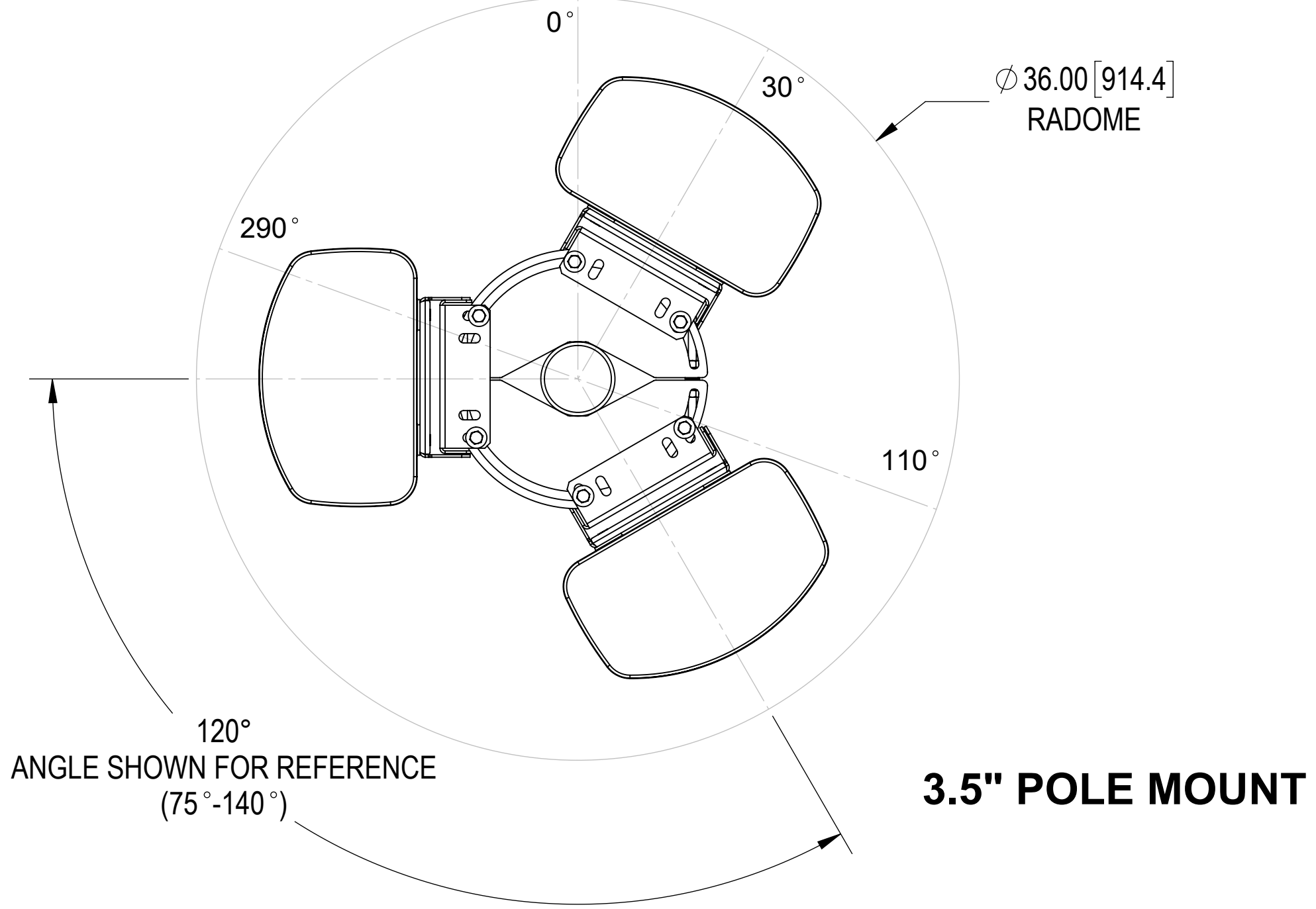
3


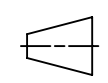
2

1

NOTES:
1.0 ALL METRIC DIMENSIONS ARE IN BRACKETS.

SHOWN WITH MOCK POLE AND ANTENNAS



COMMSCOPE, INC. OF NORTH CAROLINA					
TITLE NON STD AZIMUTH ANTENNA MOUNT					
SIZE C	SCALE 1:6	DOCUMENT NO. MTC37319			
 		DRAWING			SHEET 2 OF 2
		VERSION 05	STATUS RE	REVISION C	

4

3

2

1