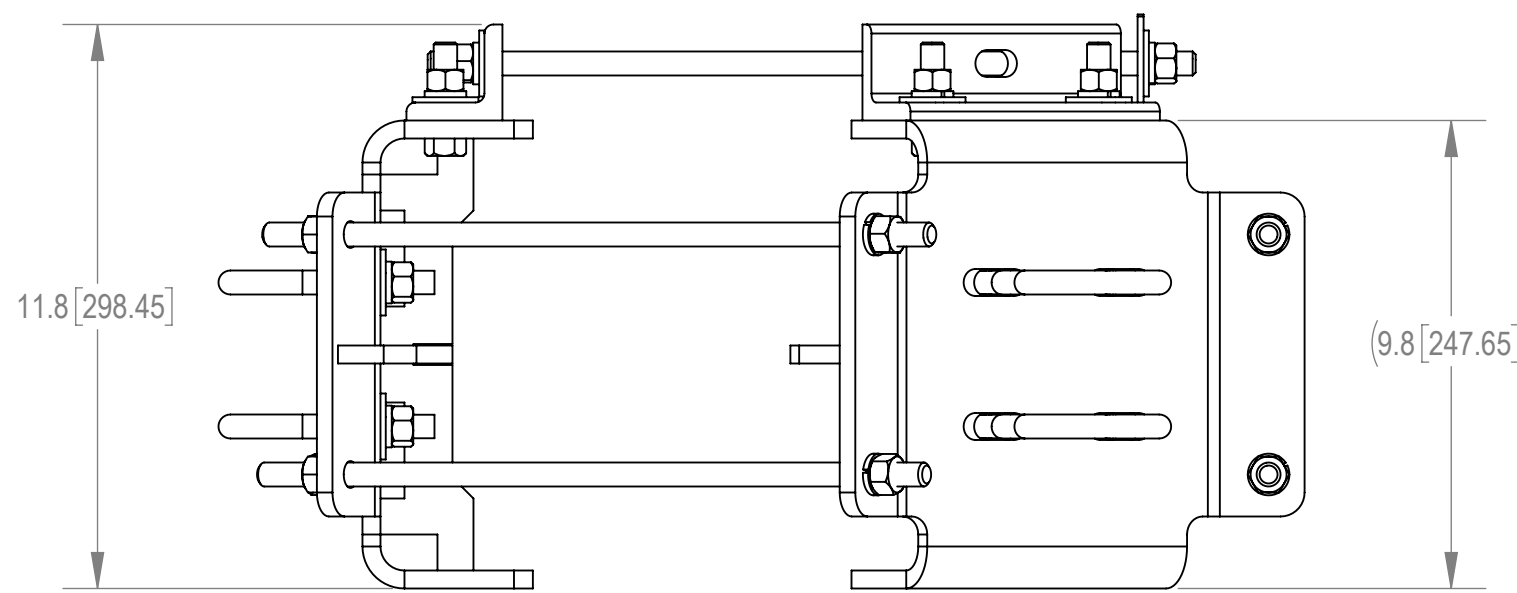
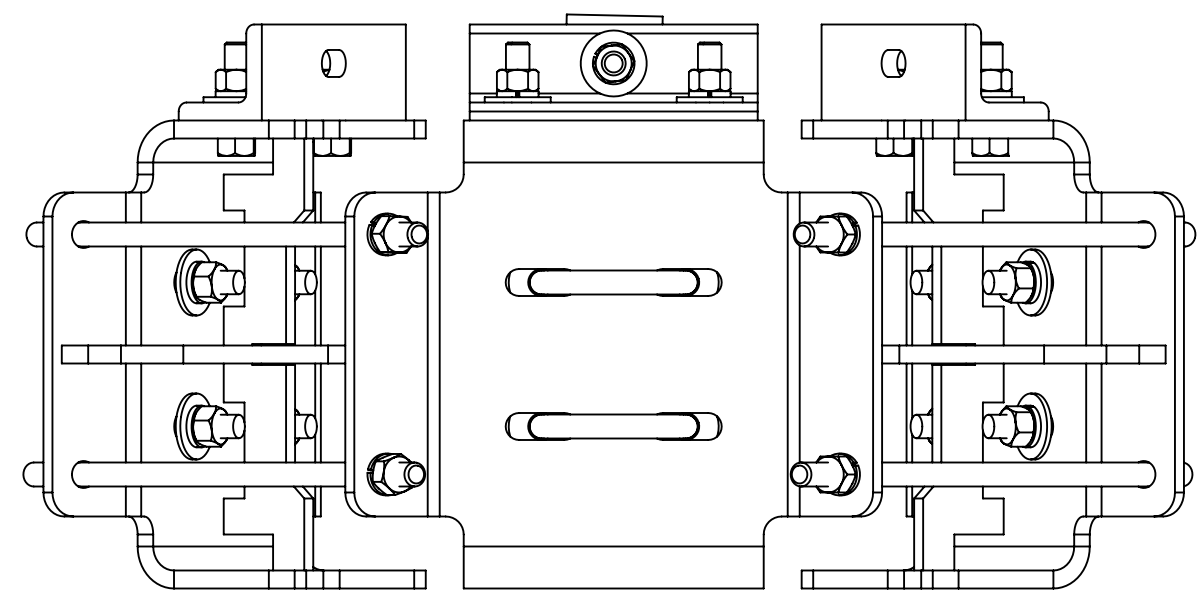
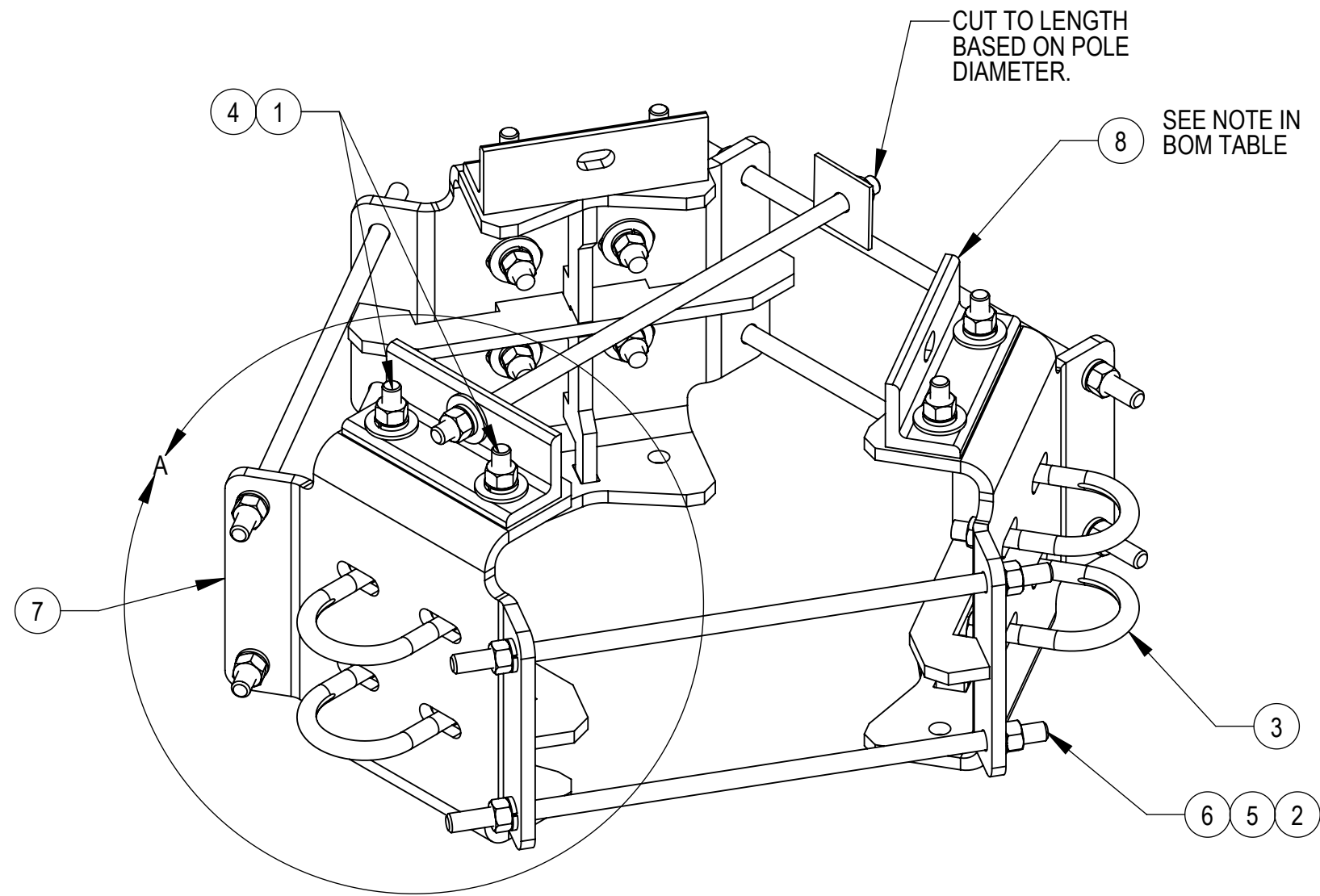
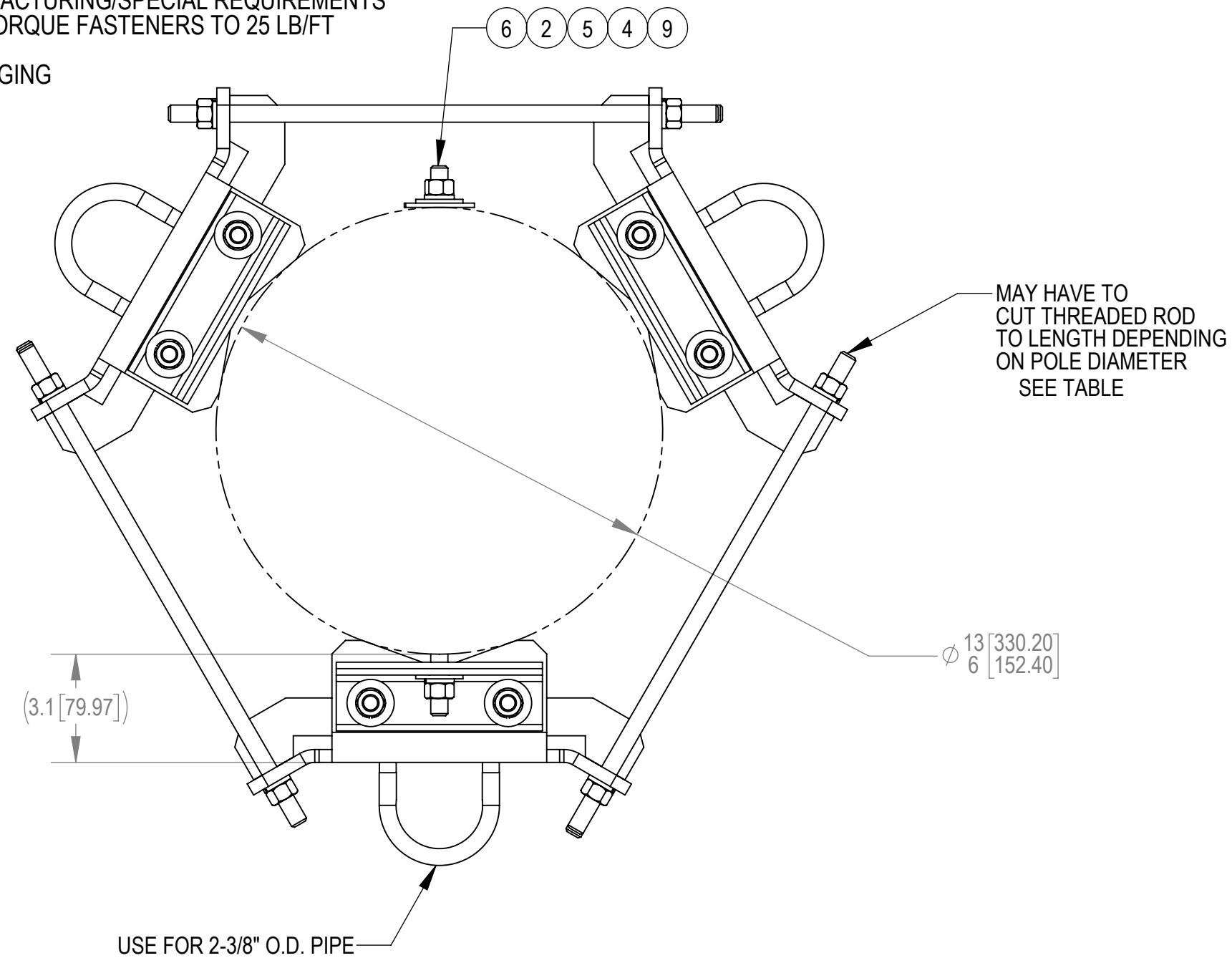


NOTES:

- 1.0 GENERAL
  - 1.1 ALL METRIC DIMENSIONS ARE IN BRACKETS
  - 1.2 FOR PATENTS, SEE WWW.CS-PAT.COM
- 2.0 DESIGN NOTES
- 3.0 MANUFACTURING/SPECIAL REQUIREMENTS
  - 3.1 TORQUE FASTENERS TO 25 LB/FT
- 4.0 TEST
- 5.0 PACKAGING

REVISIONS				
REV.	ECN	DESCRIPTION	BY	DATE
B	8000037927	INITIAL RELEASE	MRC	11/06/19



CUT LENGTH TABLE	
WOODPOLE DIAMETER	THREADED ROD CUT LENGTH
6	9 [228.6]
7	10 [254.0]
8	11 [279.4]
9	12 [304.8]
10	13 [330.2]
11	14 [355.6]
12	15 [381.0]
13	NO CUT

ITEM NO.	PART NUMBER	DESCRIPTION	QTY.	
1	GB-04205	1/2" X 2" GALV BOLT KIT	6	
2	GN-04	1/2" GALV HEX NUT	14	
3	GUB-4240	1/2" X 2-1/2" X 4" GALV U-BOLT	6	
4	GWF-04	1/2" GALV FLAT WASHER	8	
5	GWL-04	1/2" GALV LOCK WASHER	14	
6	MT37916	1/2" X 16" GALV THREADED ROD	7	
7	MTC931310	WELDMNT, PLATE, RINGMOUNT, 6"-13"	3	
8	MTC931308	ANGLE, 2 X 2 X .375 X 6	3	USE ALL THREE WHEN LAG BOLTS ARE USED. USE ONE WHEN THREADED ROD IS USED THRU POLE
9	SW-12	BACKING PLATE, .125" X 2" X 2" W/ 9/16" HOLE	1	

**COMMSCOPE, INC. OF NORTH CAROLINA**

TOLERANCES		SAP MATERIAL MASTER	
1 PLACE .X ± .25	3 PLACE .XXX ± 0.06	<b>MTC9313613</b>	
2 PLACE .XX ± 0.12	ANGLES ± 2°		
FINISH GALV A123		MATERIAL A1011/A1018, A529	
UNLESS OTHERWISE SPECIFIED DIMENSIONS ARE IN INCHES INTERPRET PER ANSI Y 14.5M-1984		NAME	DATE
		CE MRC	10/23/19
ECN 008000037927		RW MCT107	11/22/2019
		RV BCAMPBELLCON	11/22/2019
SIZE WORK AREA 24		AD FA1024	11/25/2019
		RE	
SCALE 1:4		<b>WOODPOLE RINGMOUNT, 6"-13"</b>	
		DOCUMENT NO. <b>MTC9313613</b>	
VERSION 03		DRAWING	
		STATUS RE	
REVISION B		VERSION 03	
		STATUS RE	
REVISION B		REVISION B	
		STATUS RE	

SHEET 1 OF 3

DENSITY	60.66	lbs/in <sup>3</sup>
MASS	60.66	lbs
VOLUME	3423.15	in <sup>3</sup>
SURFACE AREA	2946.07	in <sup>2</sup>
HEIGHT		
LENGTH		
WIDTH		

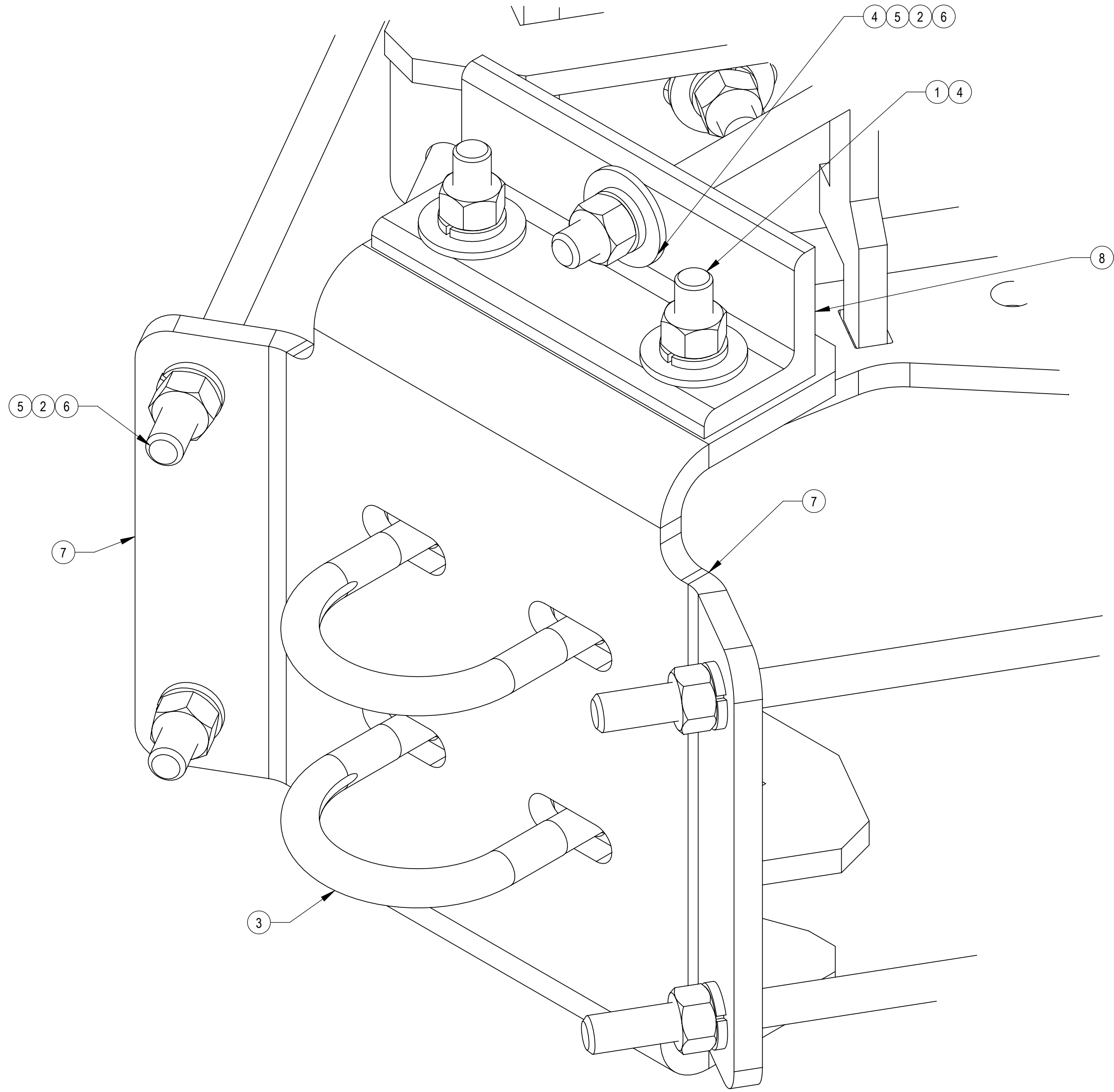
4

3

2

1

NOTES:



DETAIL A  
SCALE 1:1

© 2019 CommScope, Inc.

COMMSCOPE, INC. OF NORTH CAROLINA				
TITLE WOODPOLE RINGMOUNT, 6"-13"				
SIZE <b>C</b>	SCALE <b>1:4</b>	DOCUMENT NO. MTC9313613		
		DRAWING		SHEET
		VERSION	STATUS	REVISION
		03	RE	B
				2 OF 3

4

3

2

1

D

C

B

A

D

C

B

A

4

3

2

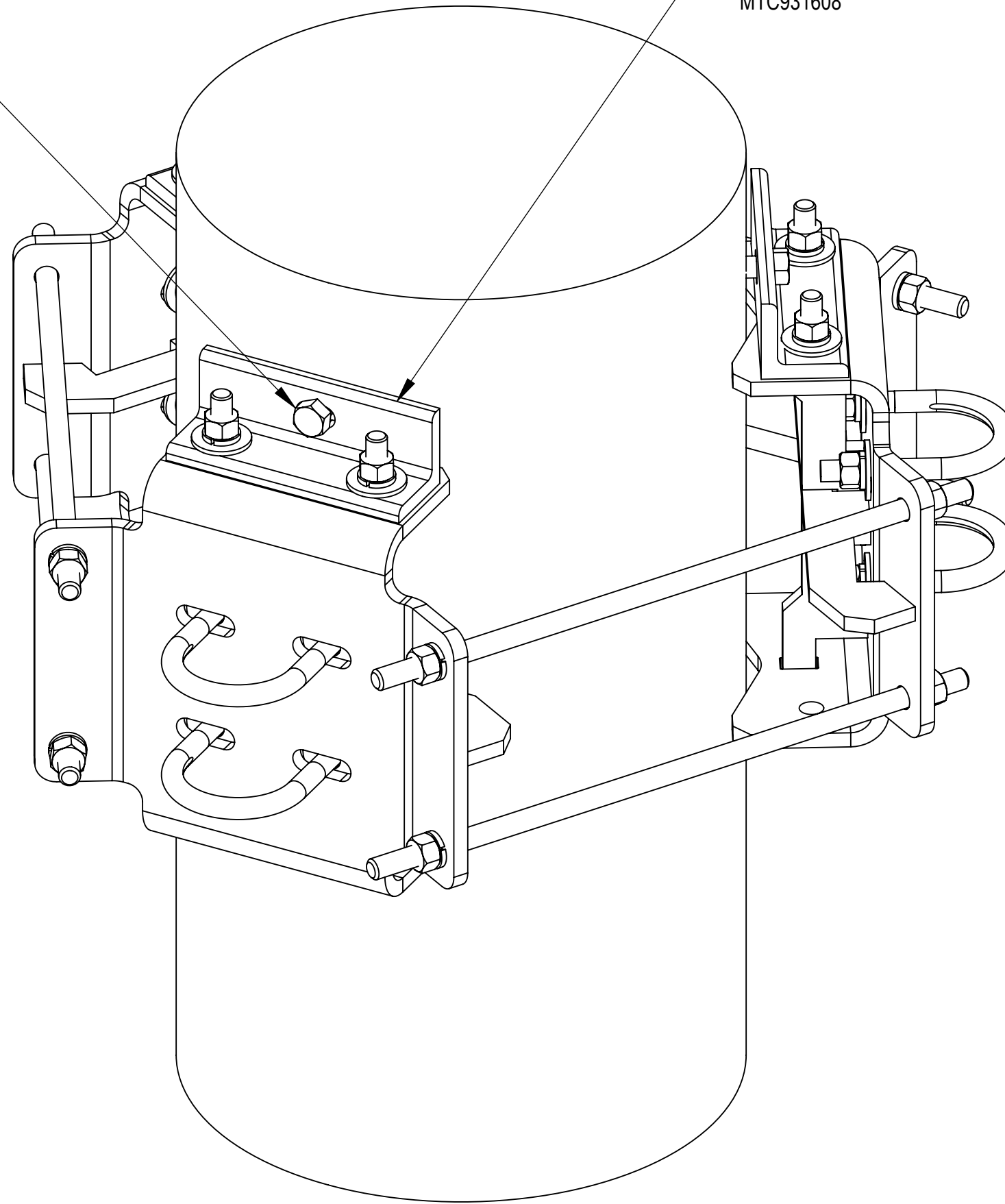
1

NOTES:

# LAG BOLT OPTION

USE 1/2" X 3"  
LAG BOLTS (GLS-0430)  
IN PLACE OF  
THREADED ROD.  
ONE ON EACH  
MOUNT.  
TOTAL OF 3


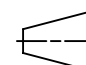
ADD ANGLE TO  
EACH BRACKET  
MTC931608



COMMSCOPE, INC. OF NORTH CAROLINA

TITLE  
WOODPOLE RINGMOUNT, 6"-13"

SIZE <b>C</b>	SCALE <b>1:3</b>	DOCUMENT NO. MTC9313613
------------------	---------------------	----------------------------

 	DRAWING			SHEET 3 OF 3
	VERSION 03	STATUS RE	REVISION B	

© 2019 CommScope, Inc.

4

3

2

1

D

D

C

C

B

B

A

A