

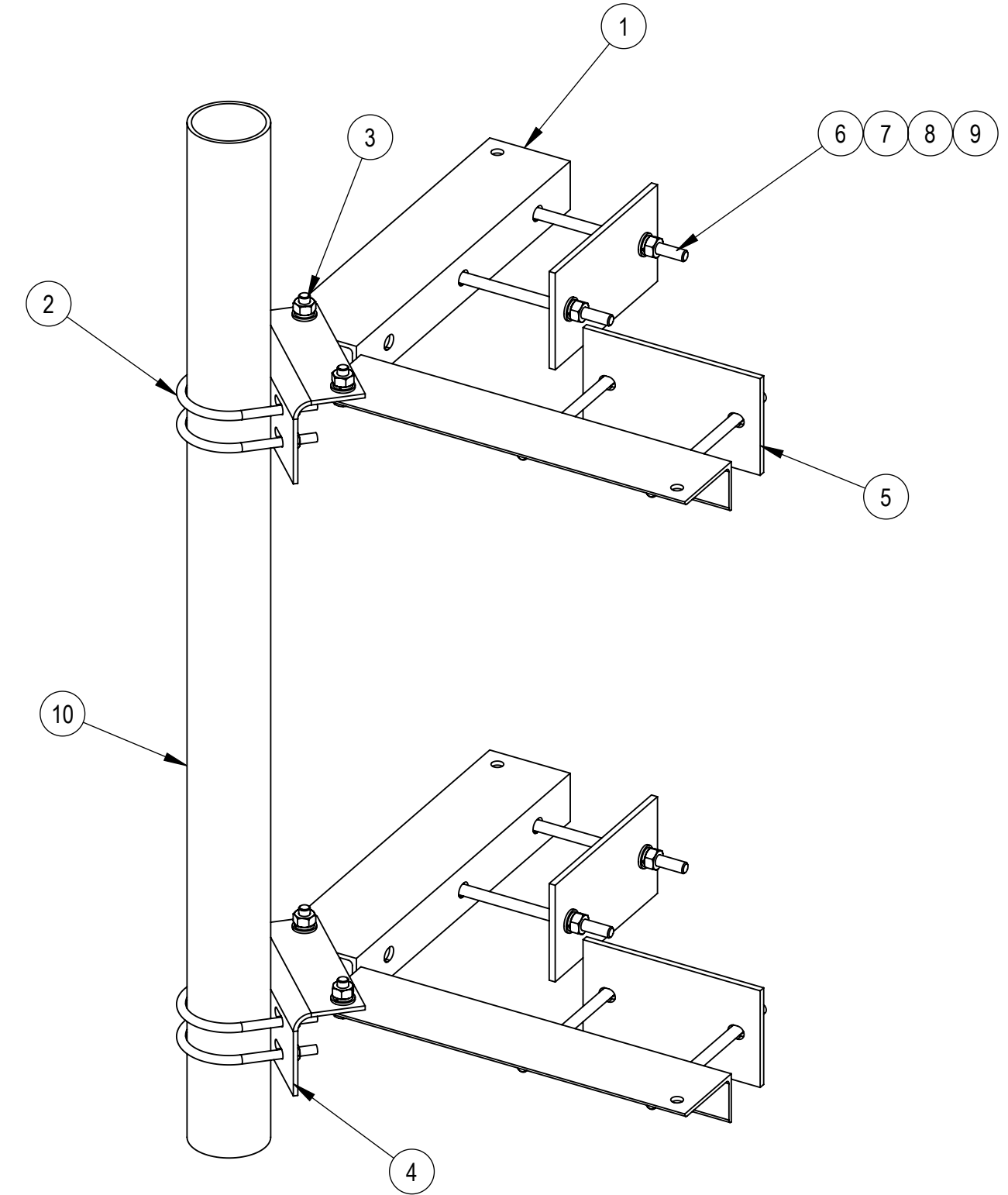
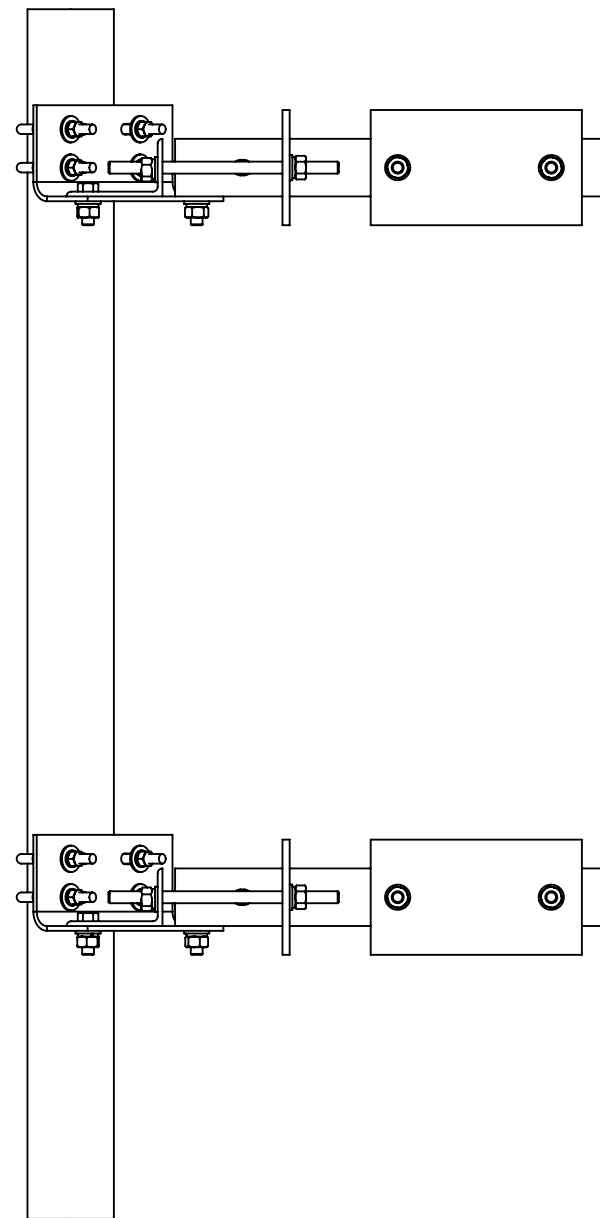
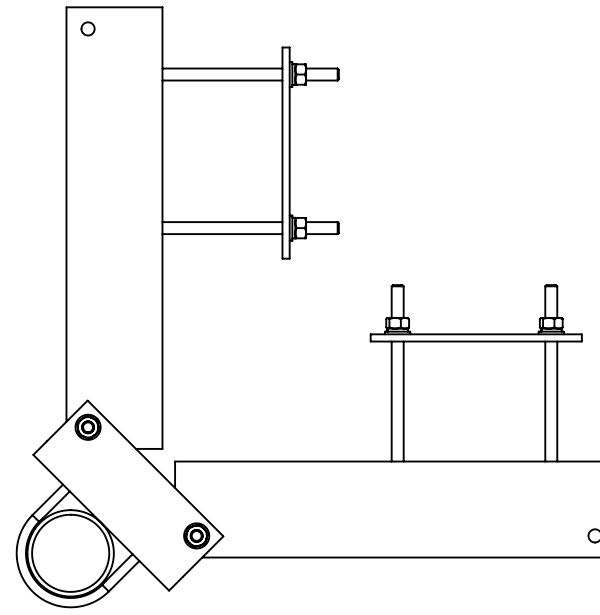
1.0 GENERAL NOTES  
 1.1 ALL METRIC DIMENSIONS ARE IN BRACKETS [X. X]  
 1.2 FOR PATENT INFO: <https://www.cs-pat.com>

2.0 DESIGN NOTES  
 2.1 ANY HAZARDS OR OBSTRUCTIONS TO THE CLIMBING FACILITY AND SAFETY CLIMB MUST BE IDENTIFIED PRIOR TO INSTALLING THE APPURTENANCE. ADDITIONAL PRODUCTS MAY BE REQUIRED TO MAINTAIN THE INTEGRITY OF THE SAFETY CLIMB. DURING INSTALLATION, TEMPORARY AND/OR PERMANENT PRECAUTIONARY MEASURES SHOULD BE TAKEN TO PRESERVE THE CLIMBING FACILITY AND/OR SAFETY CLIMB.

3.0 MANUFACTURING/SPECIAL REQUIREMENTS  
 3.1 TIGHTEN ALL BOLTS SECURING FLAT PLATES BY THE TURN-OF-NUT METHOD. TIGHTEN ALL U-BOLTS USING TURN-OF-NUT METHOD WITH ATTENTION TO LEAVE EQUAL DISTANCE AND EQUAL FORCE ON EACH LEG OF THE U-BOLT.

4.0 TEST  
 5.0 PACKAGING  
 5.1 PACKAGING SHALL MEET COMMSCOPE REQUIREMENTS PER DOCUMENT IS-PL-3005  
 5.2 PRINTED DOCUMENT TO BE PLACED INSIDE POLYBAG AND THEN IN SHIPPING CONTAINER  
 5.3 EXTRA HARDWARE MAY BE SUPPLIED, BAGGED AND SHIPPED

REVISIONS			
REV.	DESCRIPTION	DATE	APPROVED
A	INITIAL RELEASE	AW 20DEC04	TP
B	UPDATE PART LIST	ACG 15AUG06	TP
C	UPDATE SERIES TABLE	MSM 09NOV09	TP
D	UPDATE BOM	MSM 13JUL10	TP
E	UPDATED GWF-05A (ITEM 7) WAS GWF-05 & GN-05A (ITEM 8) WAS GN-05	LS1146 06MAY24	BCROSS 40194579CMO



CW-M4-63 SHOWN FOR REFERENCE  
 ( SEE TABLE FOR ALL CONFIGURATIONS )

PAPT NO.	WEIGHT	PIPE	HARDWARE KIT	U-BOLT
CW-M4-63	163 LBS	MT-653-63	CWM4H	GUB-4456
CW-M4-96	194 LBS	MT-654-96	CWM4H	GUB-4456
CW-M3-60	141 LBS	MT54760	CWM3H	GUB-4355
CW-M3-96	164 LBS	MT54796	CWM3H	GUB-4355
CW-M2-63	123 LBS	MT-650-63	CWM2H	GUB-4240
CW-M2-96	137 LBS	MT-651-96	CWM2H	GUB-4240

COMPONENT PART NUMBERS PROVIDED FOR ASSEMBLY PURPOSES;  
 INDIVIDUAL COMPONENTS MAY BE SHIPPED AS PARTS WITHIN AN INCLUDED KIT.

ITEM	PART NO.	DESCRIPTION	QTY.	WEIGHT	NOTE NO.
1	MTF91151.01	CORNER MOUNT ANGLE	4	12.28 LBS	
2	GUB-4456	1/2" X 4-5/8" X 6-1/2" GALV U-BOLT	4	0.91 LBS	SEE TABLE
3	GB-0516A	5/8" X 1-3/4" GALV BOLT KIT (A325)	4	0.24 LBS	
4	CWM.01	L-BRACKET	2	5.60 LBS	
5	MTF91151.02	CORNER MOUNT BACKING PLATE	4	6.83 LBS	
6	MT-381	5/8" X 12" GALV THREADED ROD	8	1.04 LBS	
7	GWF05A	GALV FLAT WASHER HARDENED 5/8", 1.30D	20	0.04 LBS	
8	GN-05A	5/8" GALV HEX NUT (A194 2H)	16	0.12 LBS	
9	GWL-05	5/8" GALV LOCK WASHER	16	0.03 LBS	
10	MT-653-63	4.5" O.D. X 63" PIPE	1	57.02 LBS	SEE TABLE

DENSITY		lbs/in <sup>3</sup>
MASS	161.98	lbs
VOLUME	574.58	in <sup>3</sup>
SURFACE AREA	95323.59	in <sup>2</sup>
HEIGHT	63.0"	
LENGTH	32.4"	
WIDTH	32.4"	

COMMSCOPE, INC. OF NORTH CAROLINA									
TOLERANCES					SAP MATERIAL MASTER				
1 PLACE .X[X] ± 0.12[3.0]			3 PLACE .XXX[X] ± 0.03[0.8]		SEE TABLE				
2 PLACE .XX[X] ± 0.06[1.5]			ANGLES ± 2°						
FINISH					MATERIAL				
UNLESS OTHERWISE SPECIFIED DIMENSIONS ARE IN INCHES INTERPRET PER ANSI Y 14.5M-1994	CE	AW	DATE	TITLE					
	RW	LS1146	05/07/2024	CORNER WALL MOUNT					
	AD	YMENG	05/08/2024	SCALE 1:1 DOCUMENT NO. CW-M SERIES					
	RE	YMENG	05/08/2024						
	ECN 40194579CMO				DRAWING				
SIZE	Auth Group	INSL	MODEL			DRAWING			SHEET
C			VERSION	STATUS	REVISION	VERSION	STATUS	REVISION	1 OF 1
			01	IW	E	01	RE	E	