

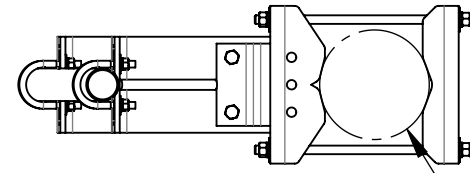
- 1.0 GENERAL NOTES
 - 1.1 ALL METRIC DIMENSIONS ARE IN BRACKETS [X. X]
 - 1.2 FOR PATENT INFO: <https://www.cs-pat.com>

- 2.0 DESIGN NOTES
 - 2.1 ANY HAZARDS OR OBSTRUCTIONS TO THE CLIMBING FACILITY AND SAFETY CLIMB MUST BE IDENTIFIED PRIOR TO INSTALLING THE APPURTENANCE. ADDITIONAL PRODUCTS MAY BE REQUIRED TO MAINTAIN THE INTEGRITY OF THE SAFETY CLIMB. DURING INSTALLATION, TEMPORARY AND/OR PERMANENT PRECAUTIONARY MEASURES SHOULD BE TAKEN TO PRESERVE THE CLIMBING FACILITY AND/OR SAFETY CLIMB.

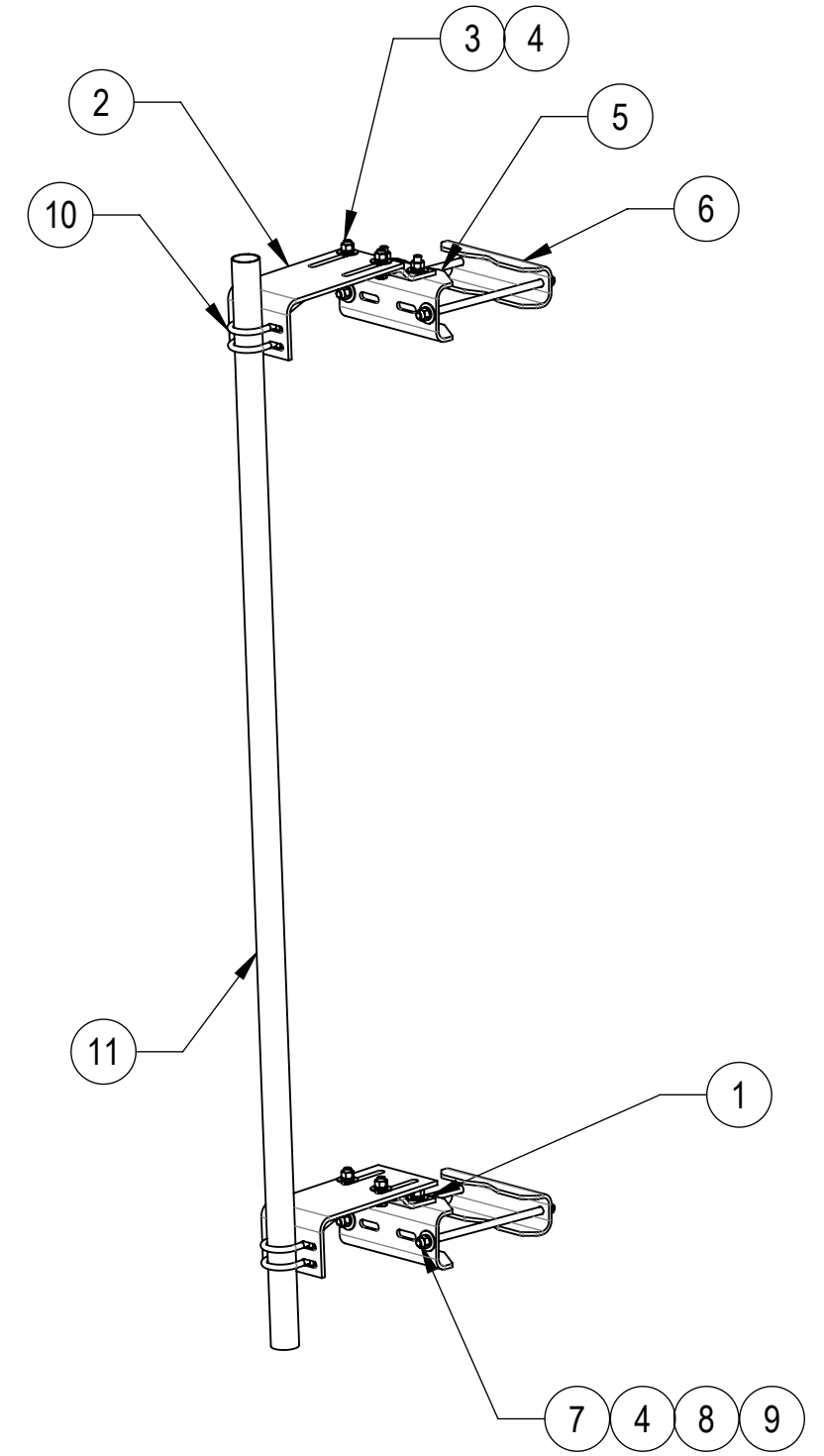
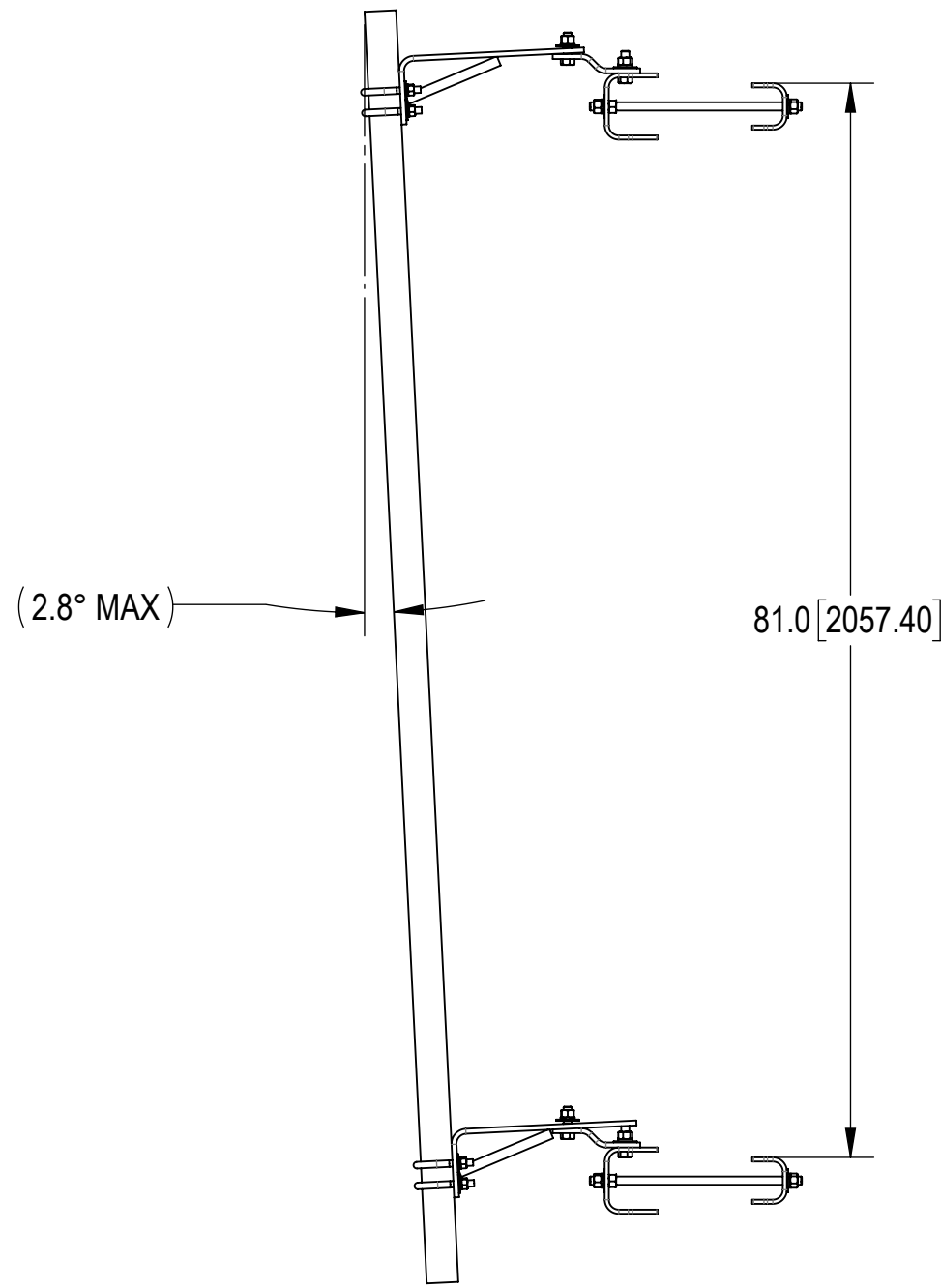
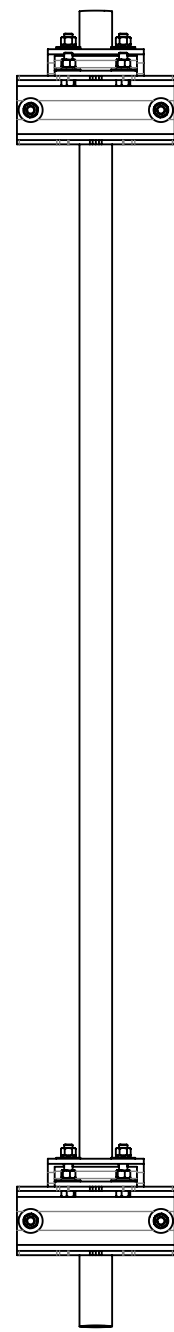
- 3.0 MANUFACTURING/SPECIAL REQUIREMENTS
 - 3.1 TIGHTEN ALL BOLTS SECURING FLAT PLATES BY THE TURN-OF-NUT METHOD. TIGHTEN ALL U-BOLTS USING TURN-OF-NUT METHOD WITH ATTENTION TO LEAVE EQUAL DISTANCE AND EQUAL FORCE ON EACH LEG OF THE U-BOLT.

- 4.0 TEST
- 5.0 PACKAGING
 - 5.1 PACKAGING SHALL MEET COMMSCOPE REQUIREMENTS PER DOCUMENT IS-PL-3005
 - 5.2 PRINTED DOCUMENT TO BE PLACED INSIDE POLYBAG AND THEN IN SHIPPING CONTAINER
 - 5.3 EXTRA HARDWARE MAY BE SUPPLIED, BAGGED AND SHIPPED

REVISIONS			
REV.	DESCRIPTION	DATE	APPROVED
F	MTC397522 WAS SMU208004; MTC397521 WAS SMU208006; HARDWARE UPDATED	YX1027 06MAY24	BCROSS 40194907CMO



FOR POLES UP TO 8" OD
FOR 90° ANGLES UP TO 6"
FOR 60° ANGLES UP TO 8"



COMPONENT PART NUMBERS PROVIDED FOR ASSEMBLY PURPOSES;
INDIVIDUAL COMPONENTS MAY BE SHIPPED AS PARTS WITHIN AN INCLUDED KIT.

ITEM NO.	PART NUMBER	DESCRIPTION	QTY.	WEIGHT	NOTE NO.
1	PMSL01	S-BRACKET	2	4.30 LBS	
2	PMSL05	14" L-BRACKET	2	13.44 LBS	
3	GB-0520A	5/8" X 2" GALV BOLT KIT (A325)	8	0.26 LBS	
4	GWF-05	5/8" GALV FLAT WASHER, 1.7OD	16	0.06 LBS	
5	MTC397522	CLAMP, FRONT MOUNTING	2	10.02 LBS	
6	MTC397521	CLAMP, BACK	2	6.94 LBS	
7	MT-382-16	5/8" X 16" GALV THREADED ROD	4	1.38 LBS	
8	GWL-05	5/8" GALV LOCK WASHER	8	0.03 LBS	
9	GN-05	5/8" GALV HEX NUT	12	0.08 LBS	
10	GUB-4240	1/2" X 2-1/2" X 4" GALV U-BOLT	4	0.56 LBS	
11	MT-651-96	2.375" OD X 96" PIPE	1	23.05 LBS	

DENSITY		lbs/in ³
MASS	106.24	lbs
VOLUME	375.30	in ³
SURFACE AREA	3448.43	in ²
HEIGHT	95.95"	
LENGTH	11.73"	
WIDTH	36.89"	

COMMSCOPE, INC. OF NORTH CAROLINA			
TOLERANCES		SAP MATERIAL MASTER	
1 PLACE .X[X] ± 0.12[3.0]	3 PLACE .XXX[X] ± 0.030[0.8]	PM-SU2L-96	
2 PLACE .XX[X] ± 0.06[1.5]	ANGLES ± 2°		
FINISH		MATERIAL	
<small>UNLESS OTHERWISE SPECIFIED DIMENSIONS ARE IN INCHES INTERPRET PER ANSI Y 14.5M-1994</small>		NAME	DATE
		CE YX1027	06MAY24
		RW YMENG	05/08/2024
		AD LS1146	05/08/2024
		RE YMENG	05/14/2024
ECN 40194907CMO	TITLE		
	UNIV. SLIDING PIPE MNT KIT, 2-3/8" X 96"		
SCALE	DOCUMENT NO.		
1:12	PM-SU2L-96		
SIZE	Auth Group	INSL	MODEL
C			
VERSION	STATUS	REVISION	VERSION
02	RE	F	00
DRAWING		STATUS	REVISION
		RE	F
			SHEET
			1 OF 1