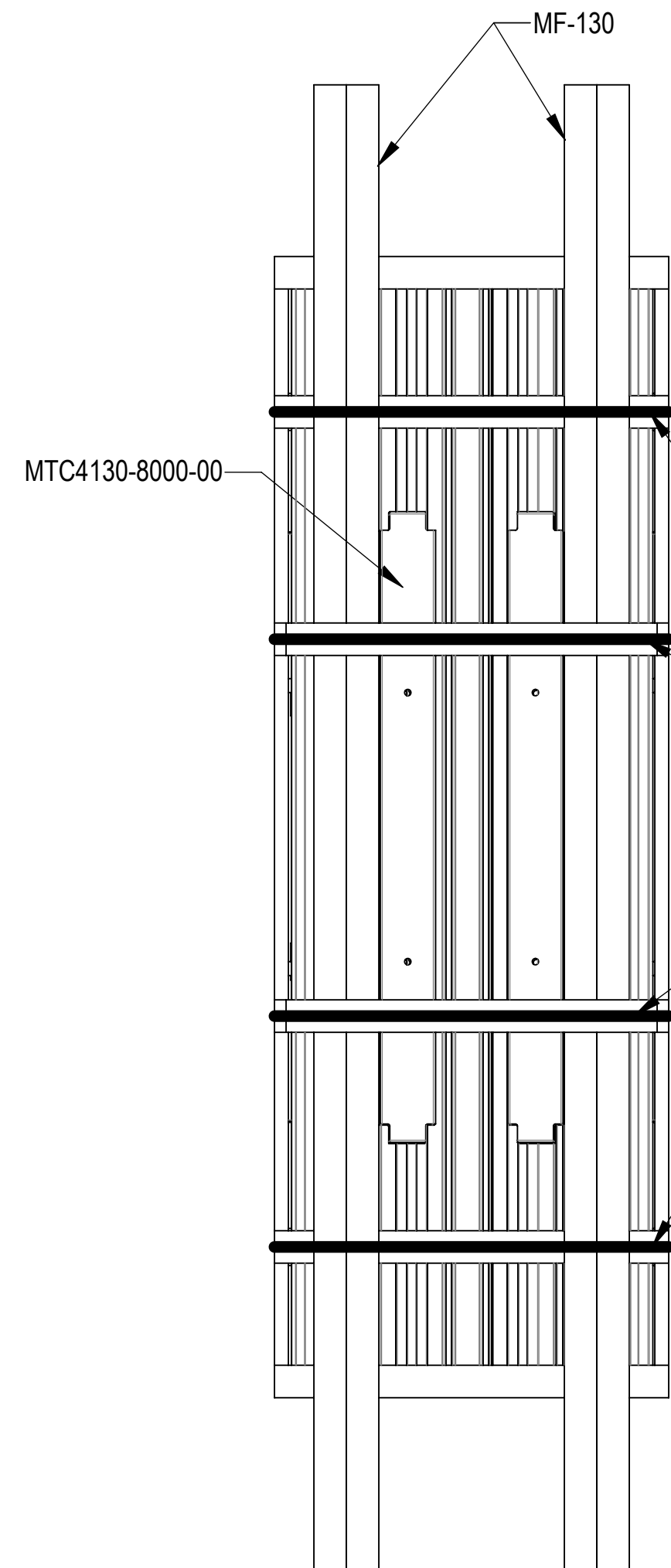
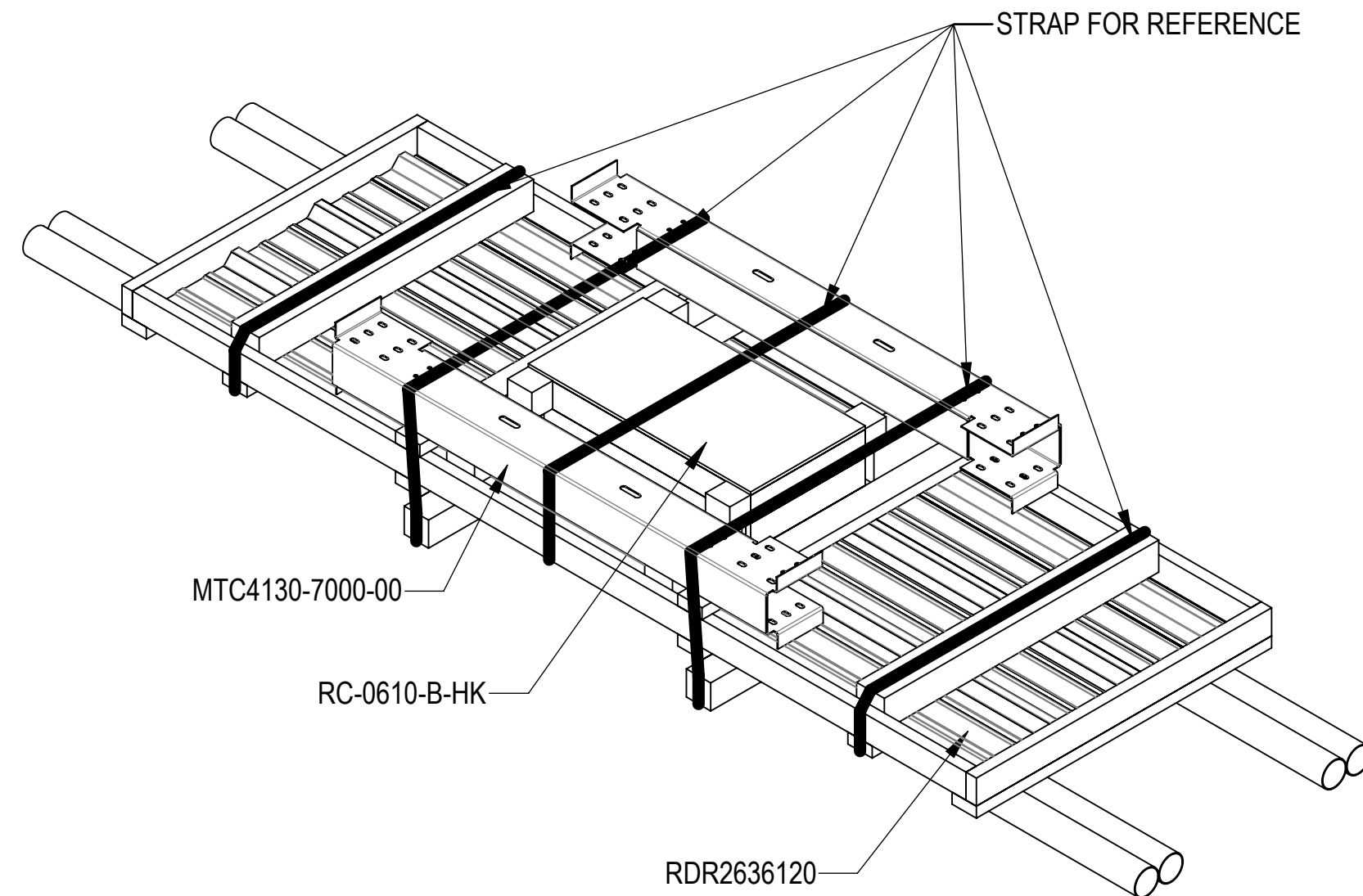


- 1.0 GENERAL NOTES
 1.1 ALL METRIC DIMENSIONS ARE IN BRACKETS [X.X]
 1.2 FOR PATENT INFO: <https://www.cs-pat.com>
- 2.0 DESIGN NOTES
 2.1 ANY HAZARDS OR OBSTRUCTIONS TO THE CLIMBING FACILITY AND SAFETY CLIMB MUST BE IDENTIFIED PRIOR TO INSTALLING THE APPURTENANCE. ADDITIONAL PRODUCTS MAY BE REQUIRED TO MAINTAIN THE INTEGRITY OF THE SAFETY CLIMB. DURING INSTALLATION, TEMPORARY AND/OR PERMANENT PRECAUTIONARY MEASURES SHOULD BE TAKEN TO PRESERVE THE CLIMBING FACILITY AND/OR SAFETY CLIMB.
- 3.0 MANUFACTURING/SPECIAL REQUIREMENTS
 3.1 TIGHTEN ALL BOLTS SECURING FLAT PLATES BY THE TURN-OF-NUT METHOD. TIGHTEN ALL U-BOLTS USING TURN-OF-NUT METHOD WITH ATTENTION TO LEAVE EQUAL DISTANCE AND EQUAL FORCE ON EACH LEG OF THE U-BOLT.
 3.2 THE VERTICAL POSTS CAN BE FIELD TRIMMED AS NEEDED AND ALL CUTS ARE TO BE TREATED WITH COLD GALVANIZING COMPOUND.
- 4.0 TEST
- 5.0 PACKAGING
 5.1 PACKAGING SHALL MEET COMMSCOPE REQUIREMENTS PER DOCUMENT IS-PL-3005
 5.2 PRINTED DOCUMENT TO BE PLACED INSIDE POLYBAG AND THEN IN SHIPPING CONTAINER
 5.3 EXTRA HARDWARE MAY BE SUPPLIED, BAGGED AND SHIPPED

REVISIONS			
REV.	DESCRIPTION	DATE	APPROVED
A	INITIAL RELEASE	YMENG 2APR24	YW1047 40191985CMO



BOTTOM VIEW



PACKAGE

DENSITY	654.75	lbs/in ³
MASS	654.75	lbs
VOLUME	2305.15	in ³
SURFACE AREA	52966.65	in ²
HEIGHT	164.4"	
LENGTH	127.9"	
WIDTH	78.3"	

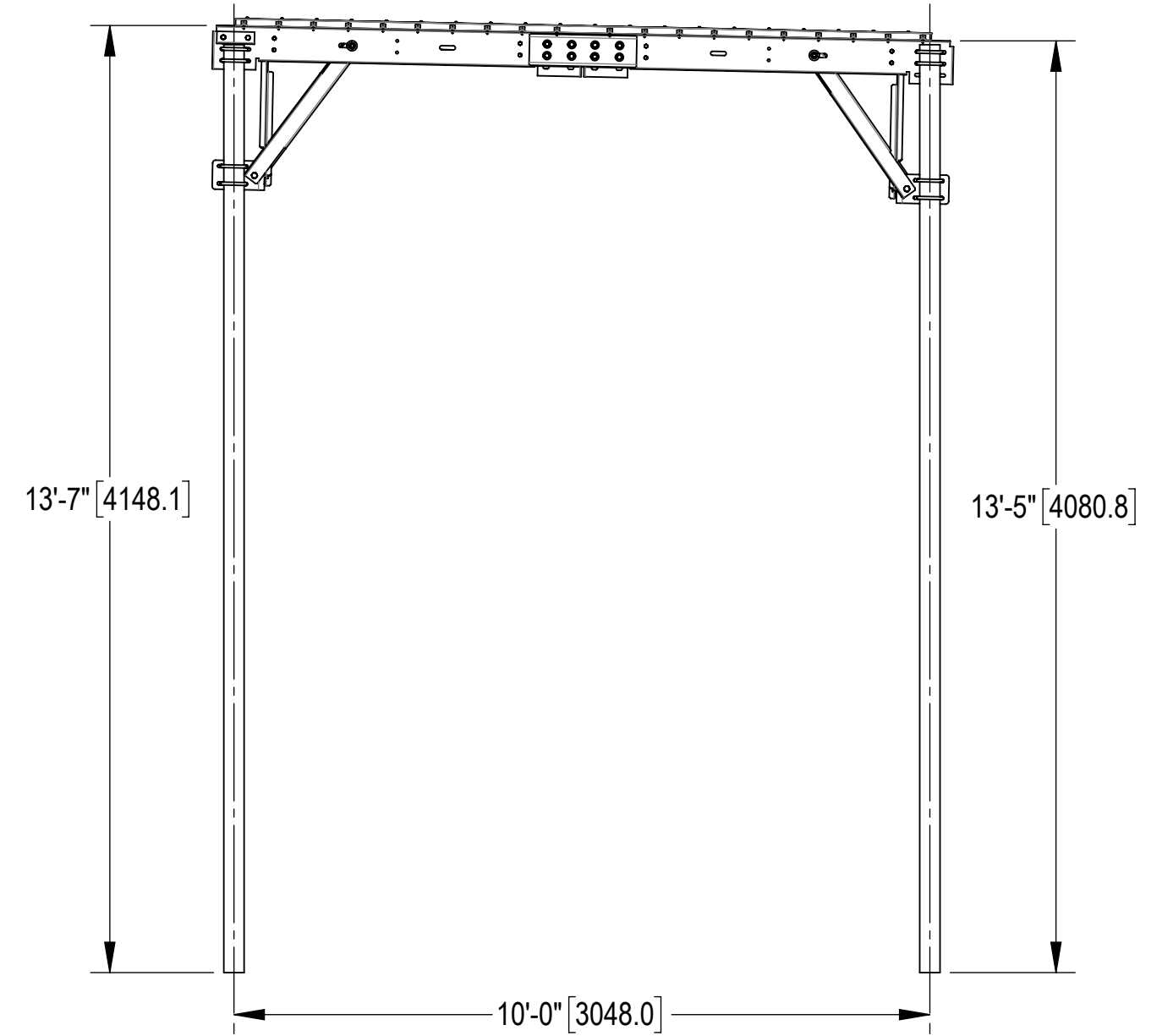
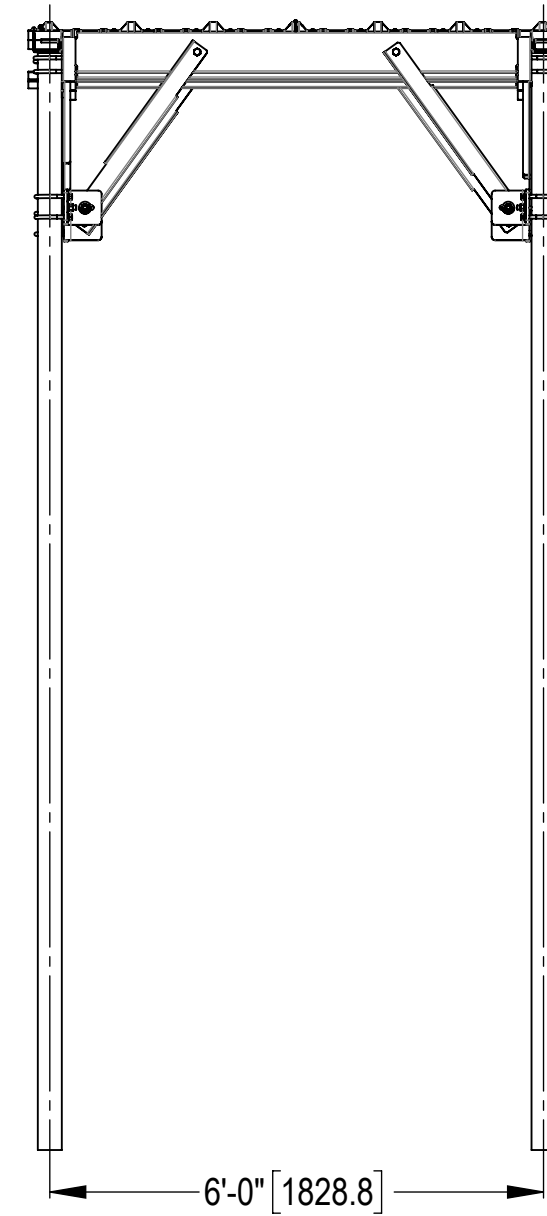
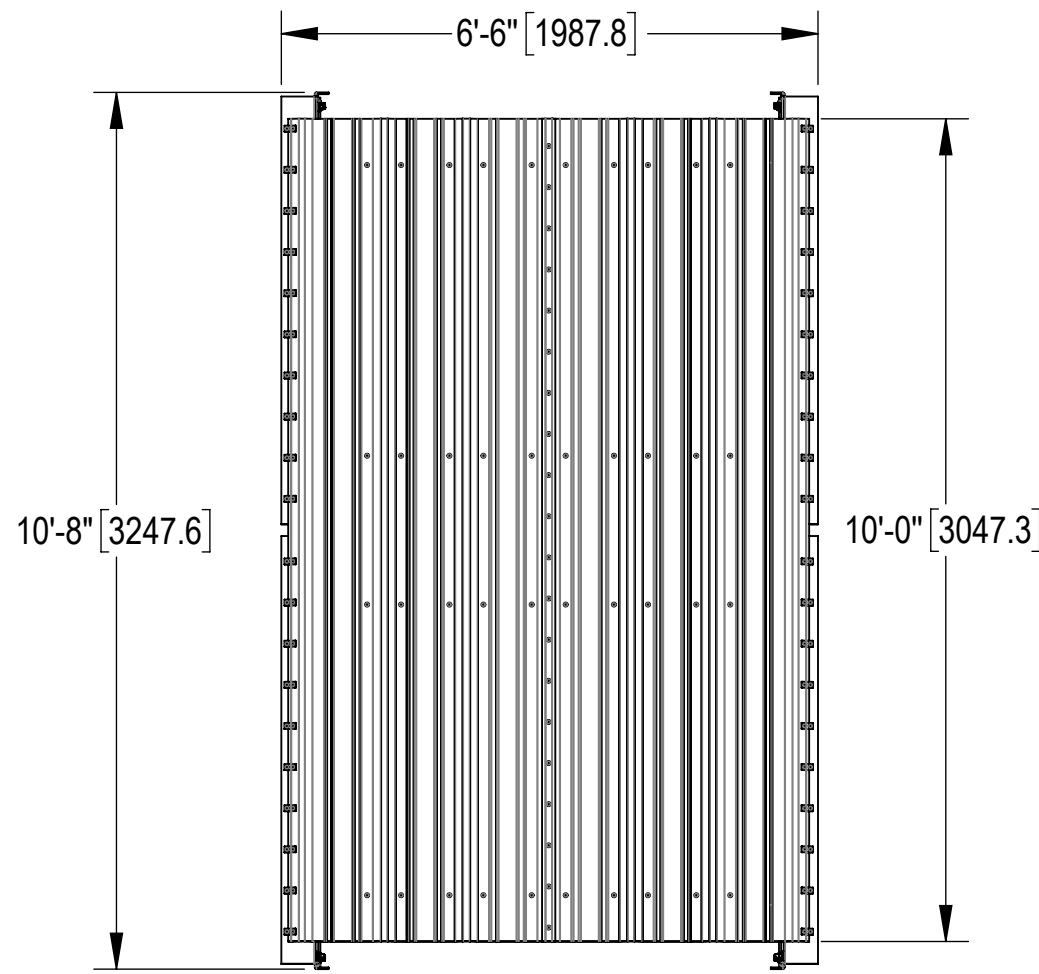
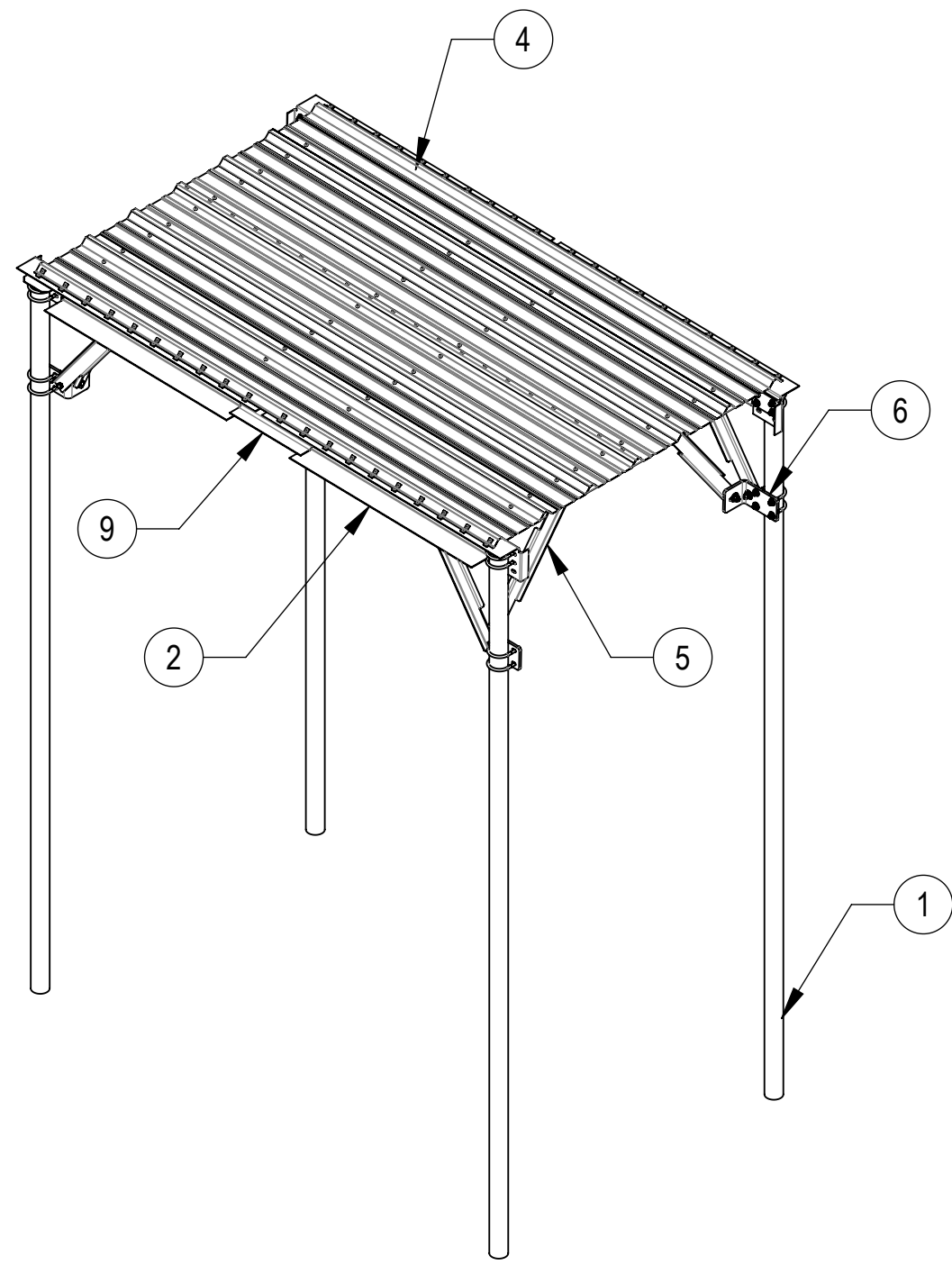
COMMSCOPE, INC. OF NORTH CAROLINA									
TOLERANCES					SAP MATERIAL MASTER				
1 PLACE .X[X] ± 0.2[6.3]			3 PLACE .XXX[X] ± 0.060[1.5]		RC-0610-B				
2 PLACE .XX[X] ± 0.12[3.0]			ANGLES ± 2°						
FINISH					MATERIAL				
UNLESS OTHERWISE SPECIFIED DIMENSIONS ARE IN INCHES INTERPRET PER ANSI Y 14.5M-1994									
	NAME	DATE	TITLE						
CE	YMENG	2APR24	06'X10' RAIN CANOPY, 13'-4" BURIAL POST						
RW	RY1002	04/29/2024							
AD	YW1047	05/05/2024							
RE	YMENG	05/05/2024							
ECN 40191985CMO			SCALE	DOCUMENT NO.					
			1:20	RC-0610-B					
SIZE	Auth Group	INSL	MODEL			DRAWING			
C			VERSION	STATUS	REVISION	VERSION	STATUS	REVISION	SHEET
			00	RE	A	00	RE	A	1 OF 5

4

3

2

1



COMPONENT PART NUMBERS PROVIDED FOR ASSEMBLY PURPOSES;
INDIVIDUAL COMPONENTS MAY BE SHIPPED AS PARTS WITHIN AN INCLUDED KIT.

ITEM	PART NO.	DESCRIPTION	QTY.	WEIGHT	NOTE NO.
1	MF-130	3.5" O.D. X 13'-4" DIRECT BURIAL PIPE COLUMN	4	57.97 LBS	
2	MTC4130-7000-00	OUTER CHANNEL, ROOF SUPPORT	4	32.10 LBS	
3	MTC4130-8000-00	CANOPY CENTER CHANNEL	4	21.85 LBS	
4	RDR2636120	ROOF DECKING PBR 26 GA 36" X 120"	2	29.65 LBS	
5	MTC4130-3000-00	CANOPY BRACE	8	6.52 LBS	
6	MTC4130-4000-00	CANOPY BRACE ADAPTER	4	9.16 LBS	
7	MTC4130-5000-00	PLATE, 7"X 5"	4	2.76 LBS	
8	MTC4130-6000-00	HEIGHT ADJUSTMENT BRACKET	2	1.26 LBS	
9	MTC4130-9000-00	OUTER CONNECTION CHANNEL	2	6.71 LBS	
10	GUB-4355	1/2" X 3-5/8" X 5" GALV U-BOLT	16	0.71 LBS	
11	GB-04145	1/2" X 1-1/2" GALV BOLT KIT	20	0.13 LBS	
12	GB-03105	3/8" X 1" GALV BOLT KIT	16	0.05 LBS	
13	GB-05205FT	5/8" X 2" GALV BOLT KIT	16	0.26 LBS	
14	GWF-04	1/2" GALV FLAT WASHER	36	0.04 LBS	
15	GWF-05	5/8" GALV FLAT WASHER, 1.70D	12	0.06 LBS	
16	MTC3799C26	CLIP, RDR PANEL	40	0.05 LBS	
17	MTC371531	1/4-14X7/8 SELF DRILLING HEX HEAD SCREW	60	0.02 LBS	
18	TS1275	TEK SCREW #12 X 3/4, WITH NEOPRENE WASHER	80	0.02 LBS	

COMMSCOPE, INC. OF NORTH CAROLINA				
TITLE 06'X10' RAIN CANOPY, 13'-4" BURIAL POST				
SIZE C	SCALE 1:32	DOCUMENT NO. RC-0610-B		
DRAWING		VERSION	STATUS	REVISION
		00	RE	A
				SHEET 2 OF 5

© 2024 CommScope, Inc. Confidential

4

3

2

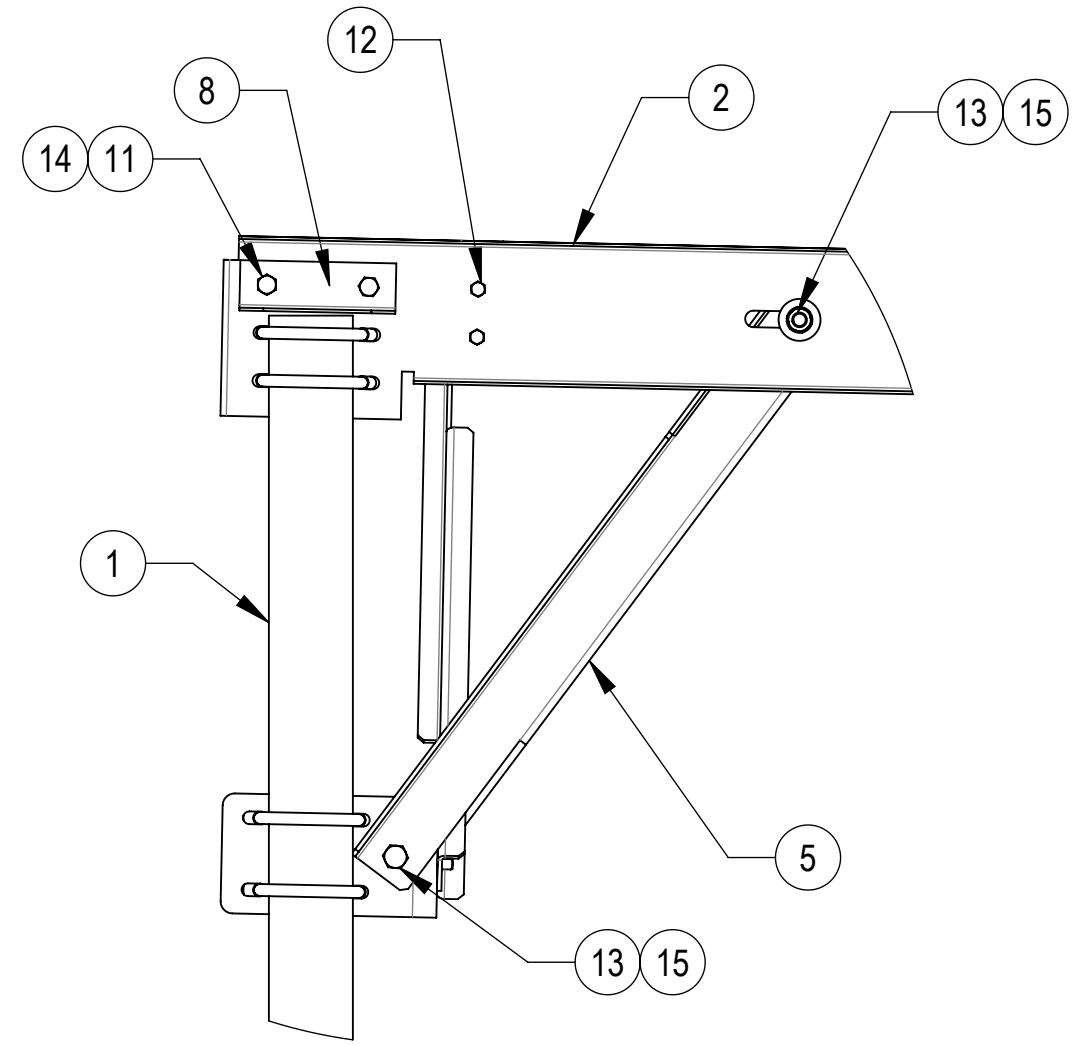
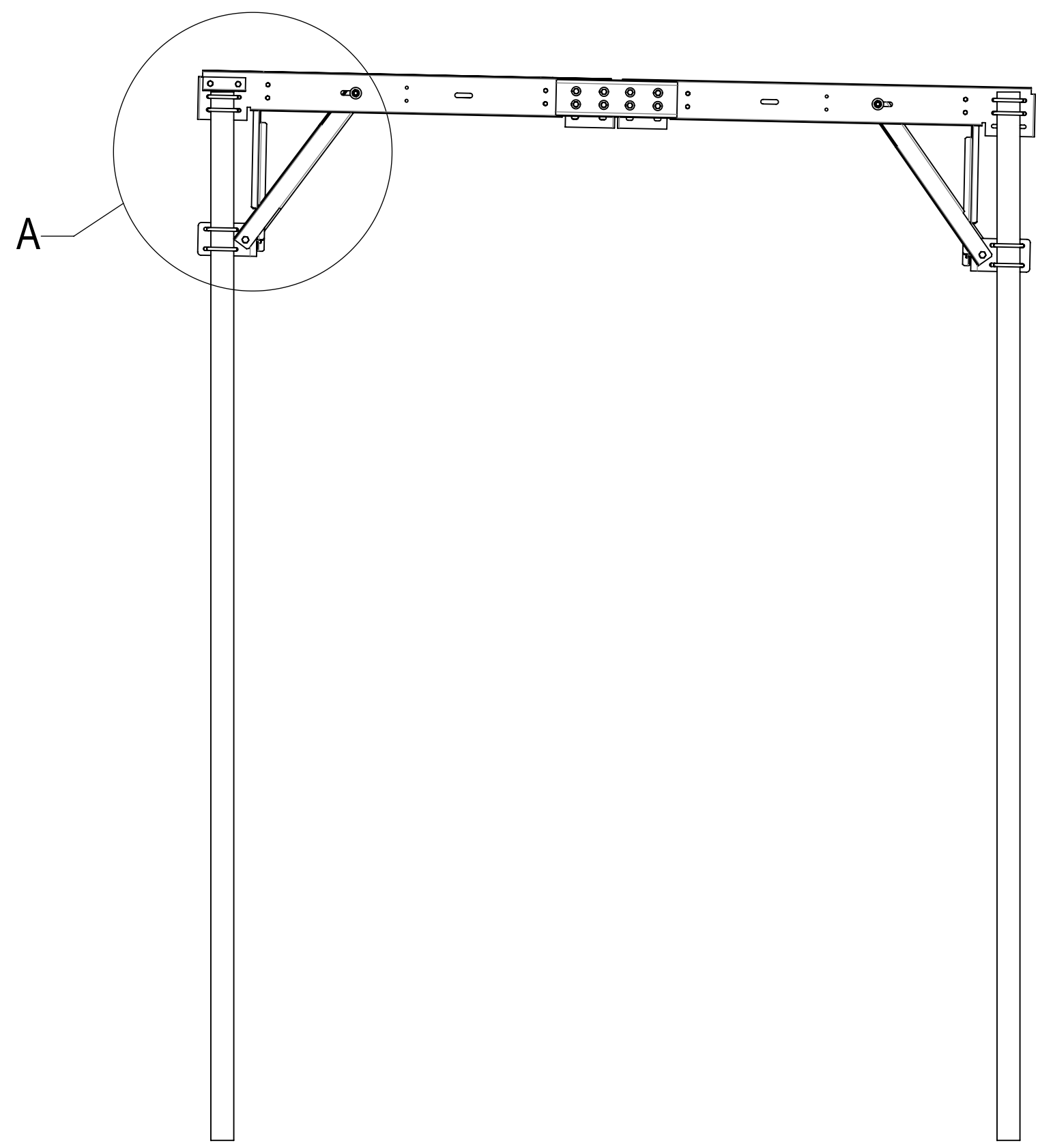
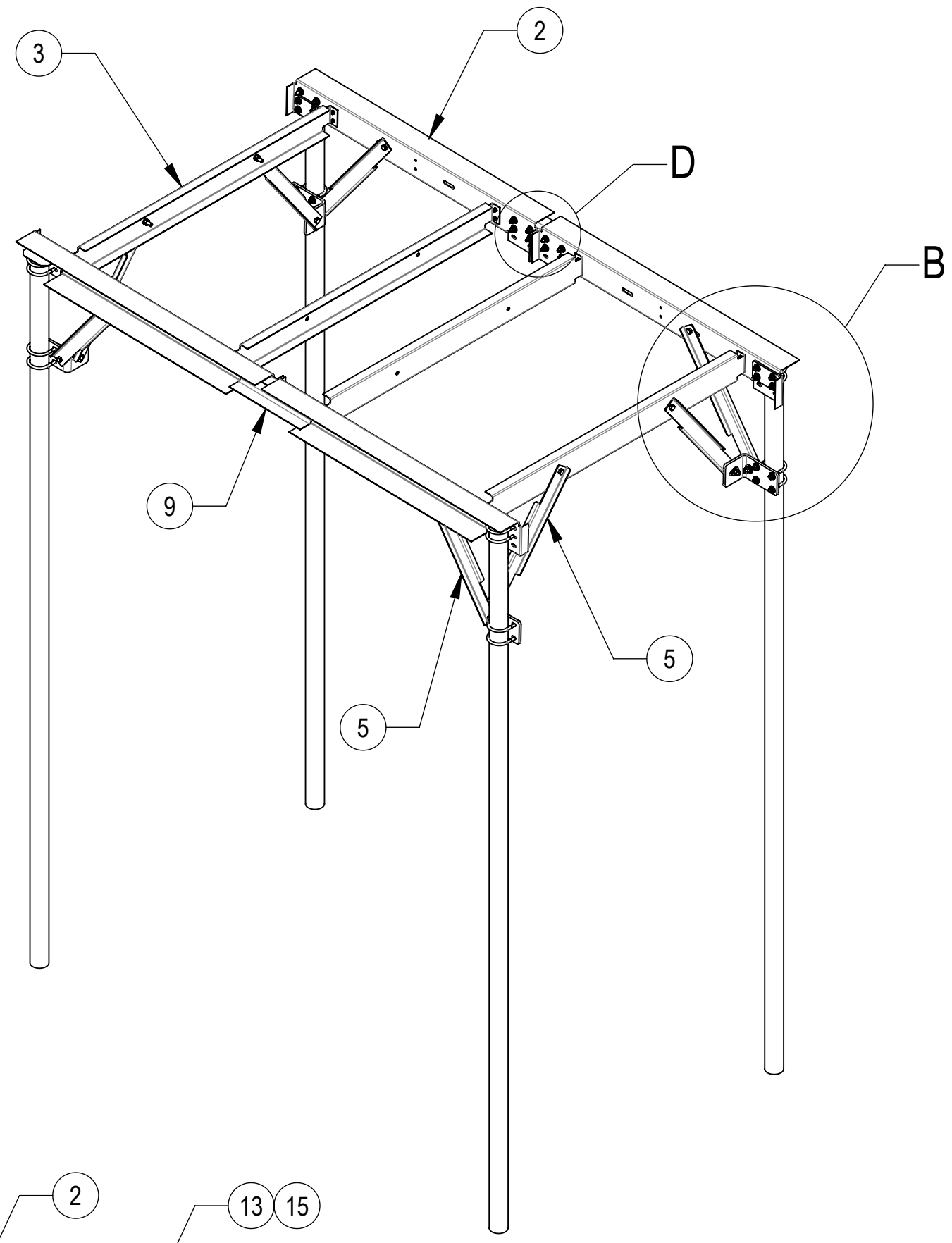
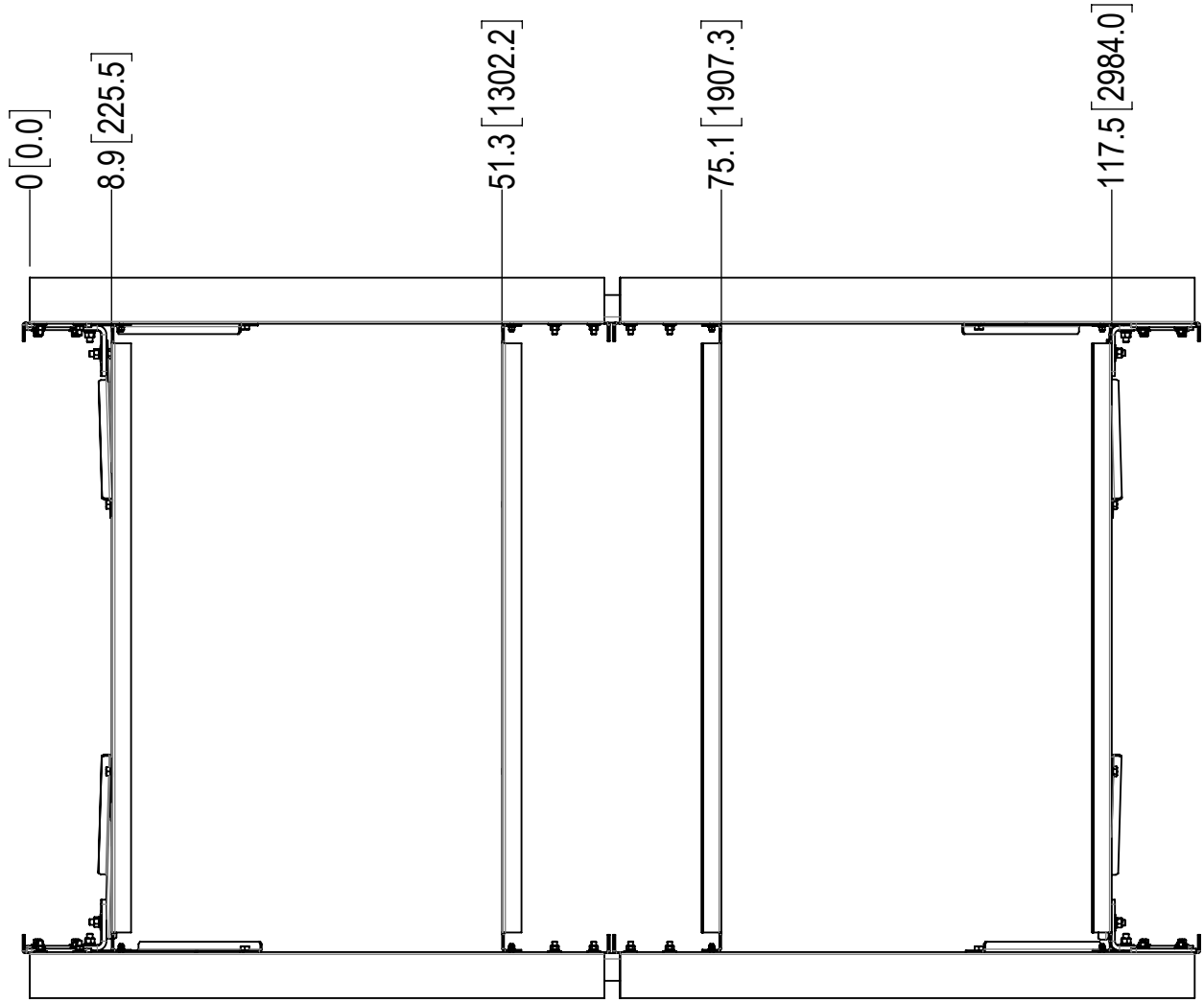
1

4

3

2

1



DETAIL A
SCALE 1 : 8

HIDE ROOF DECKING FOR CLARITY

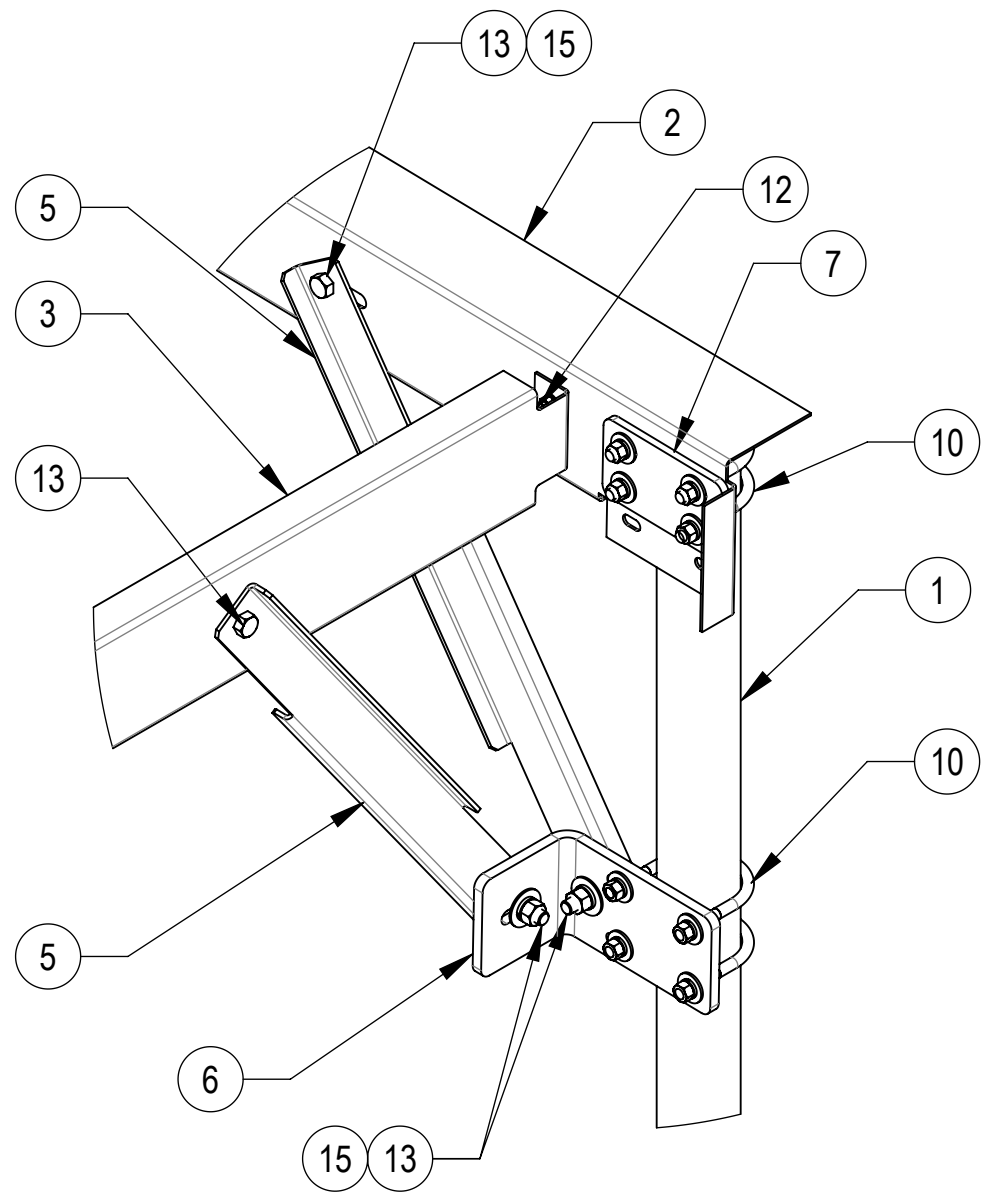
COMMSCOPE, INC. OF NORTH CAROLINA				
TITLE 06'X10' RAIN CANOPY, 13'-4" BURIAL POST				
SIZE C	SCALE 1:20	DOCUMENT NO. RC-0610-B		
		DRAWING		SHEET
		VERSION	STATUS	REVISION
		00	RE	A
				3 OF 5

4

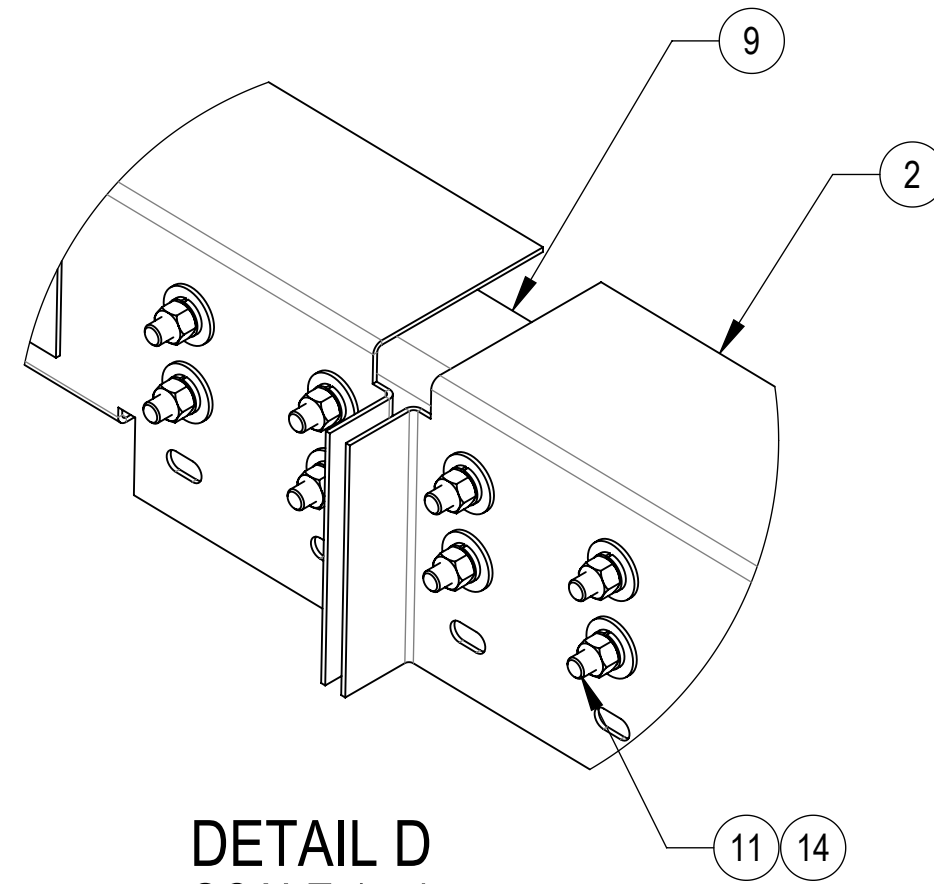
3

2

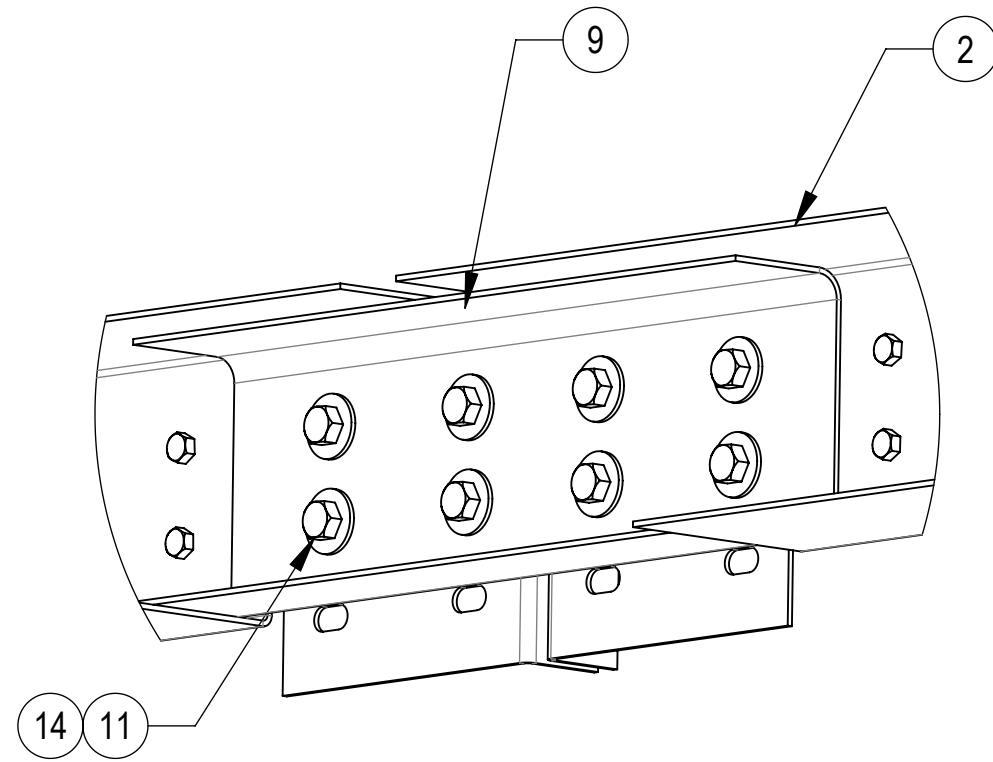
1




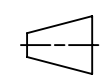
DETAIL B
SCALE 1 : 8

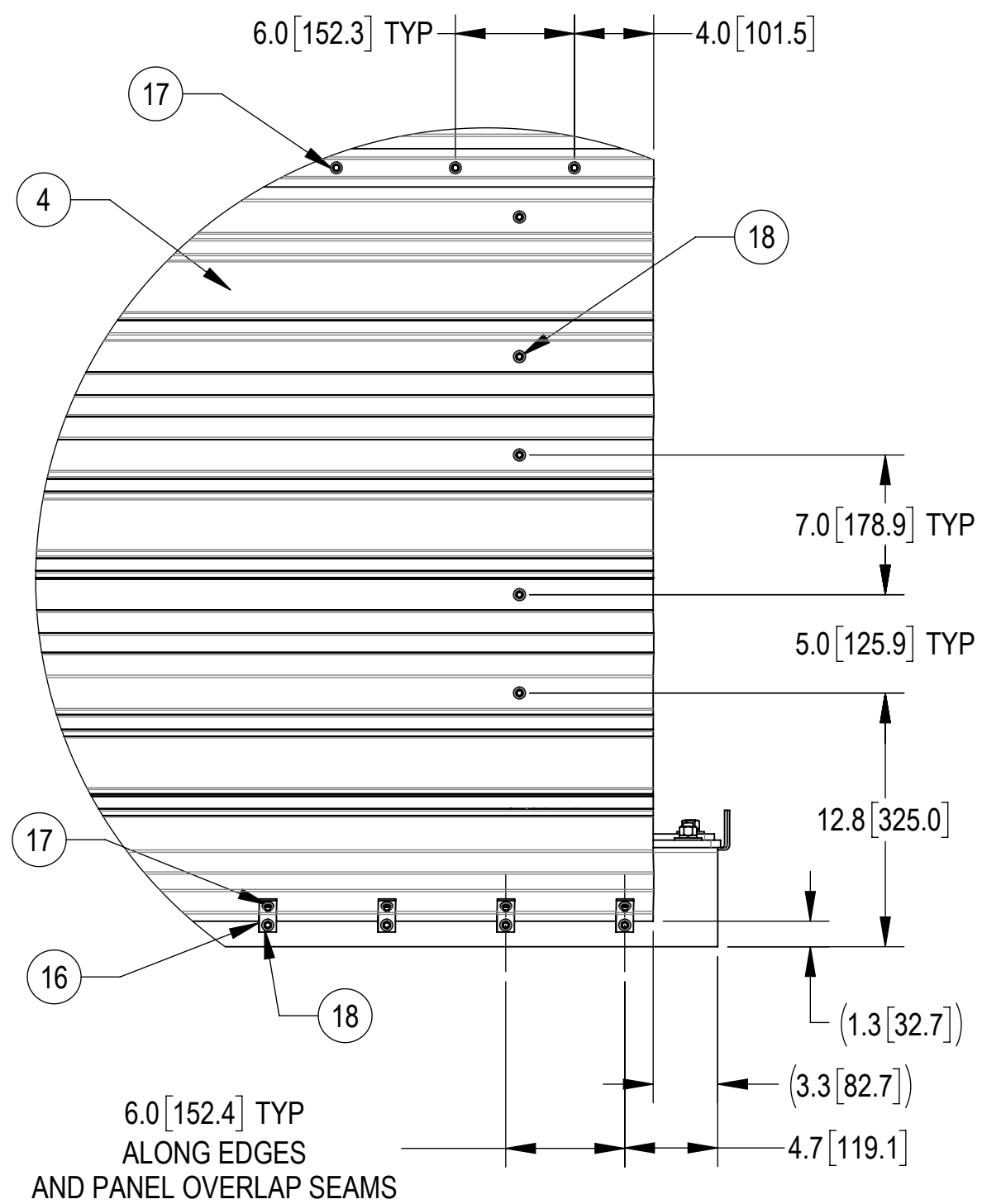
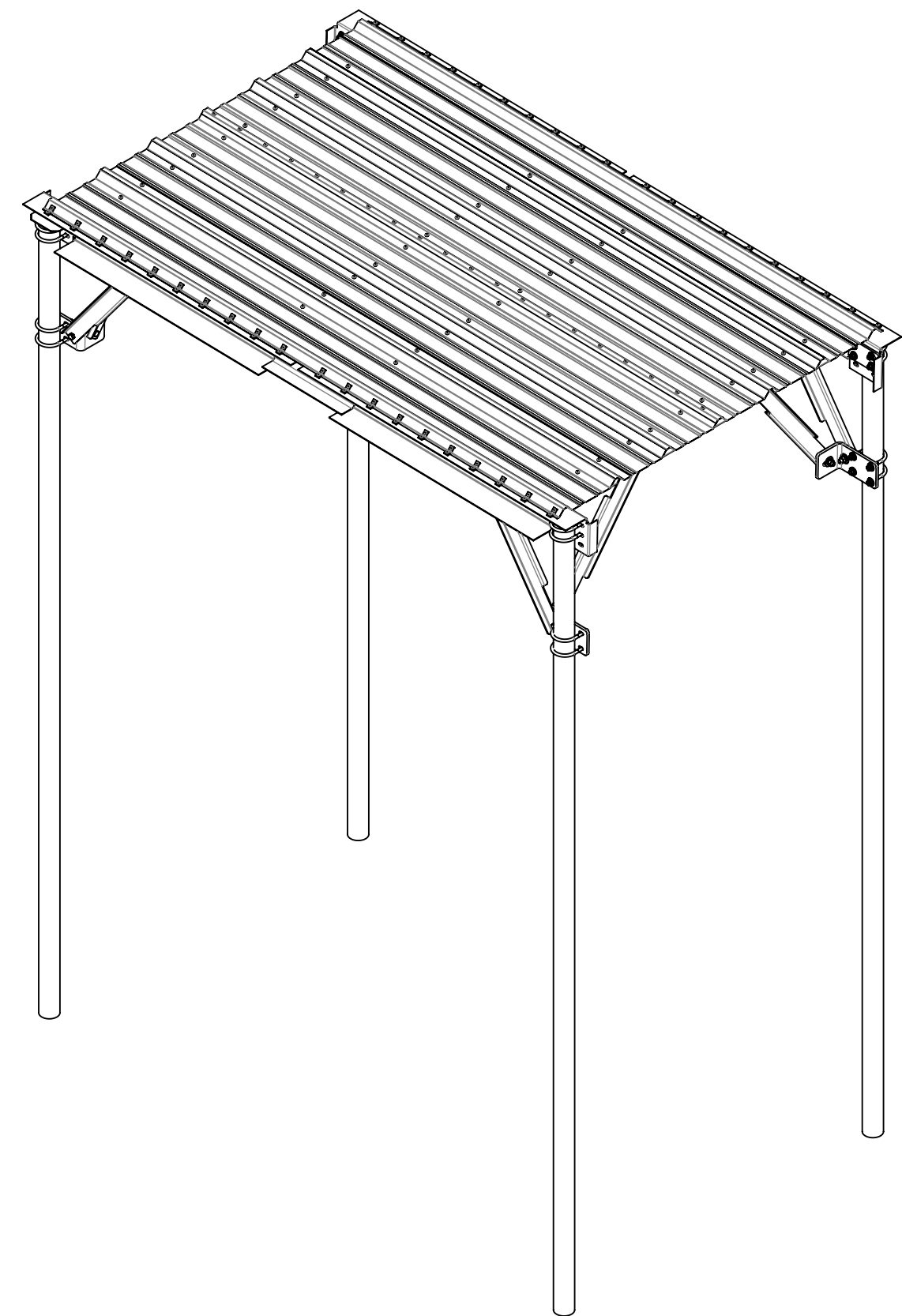
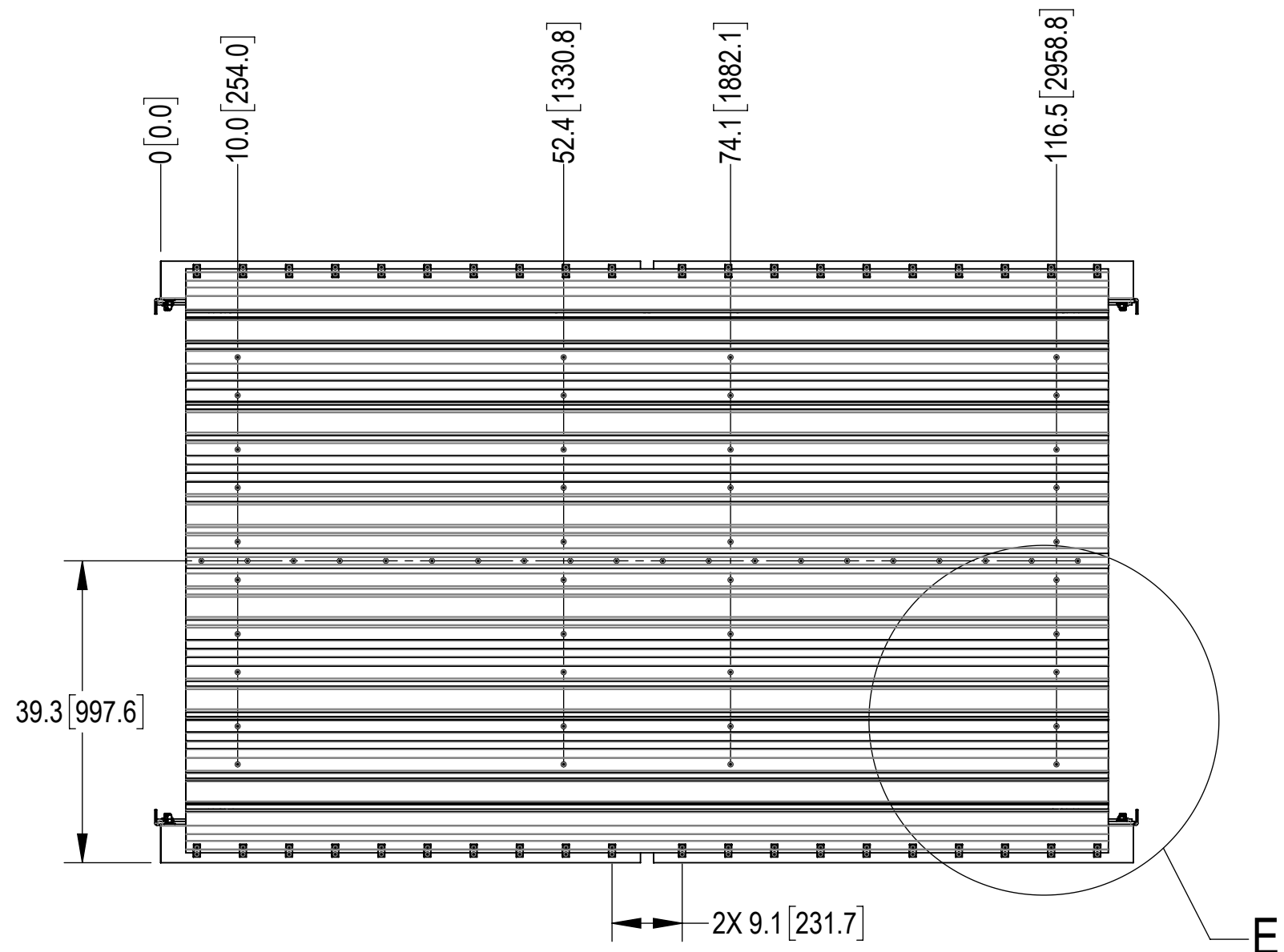


DETAIL D
SCALE 1 : 4


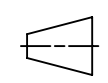


DETAIL D
BACK VIEW
SCALE 1 : 4

COMMSCOPE, INC. OF NORTH CAROLINA				
TITLE 06'X10' RAIN CANOPY, 13'-4" BURIAL POST				
SIZE C	SCALE 1:20	DOCUMENT NO. RC-0610-B		
 		DRAWING		SHEET
		VERSION 00	STATUS RE	REVISION A



DETAIL E
SCALE 1 : 8

COMMSCOPE, INC. OF NORTH CAROLINA				
TITLE 06'X10' RAIN CANOPY, 13'-4" BURIAL POST				
SIZE C	SCALE 1:32	DOCUMENT NO. RC-0610-B		
 		DRAWING		SHEET
		VERSION 00	STATUS RE	REVISION A