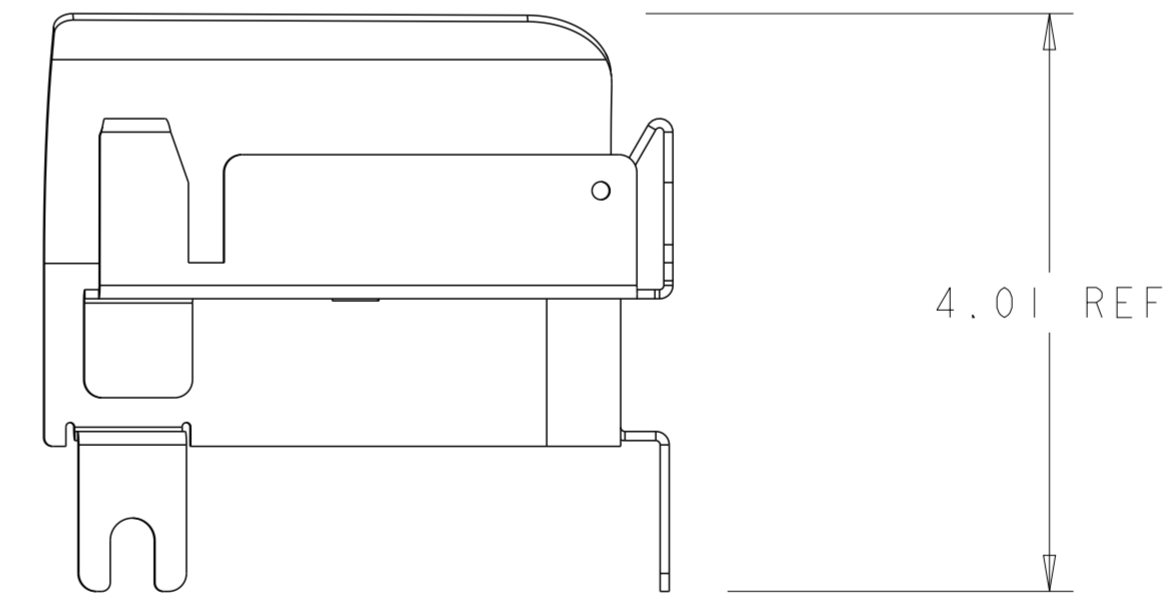
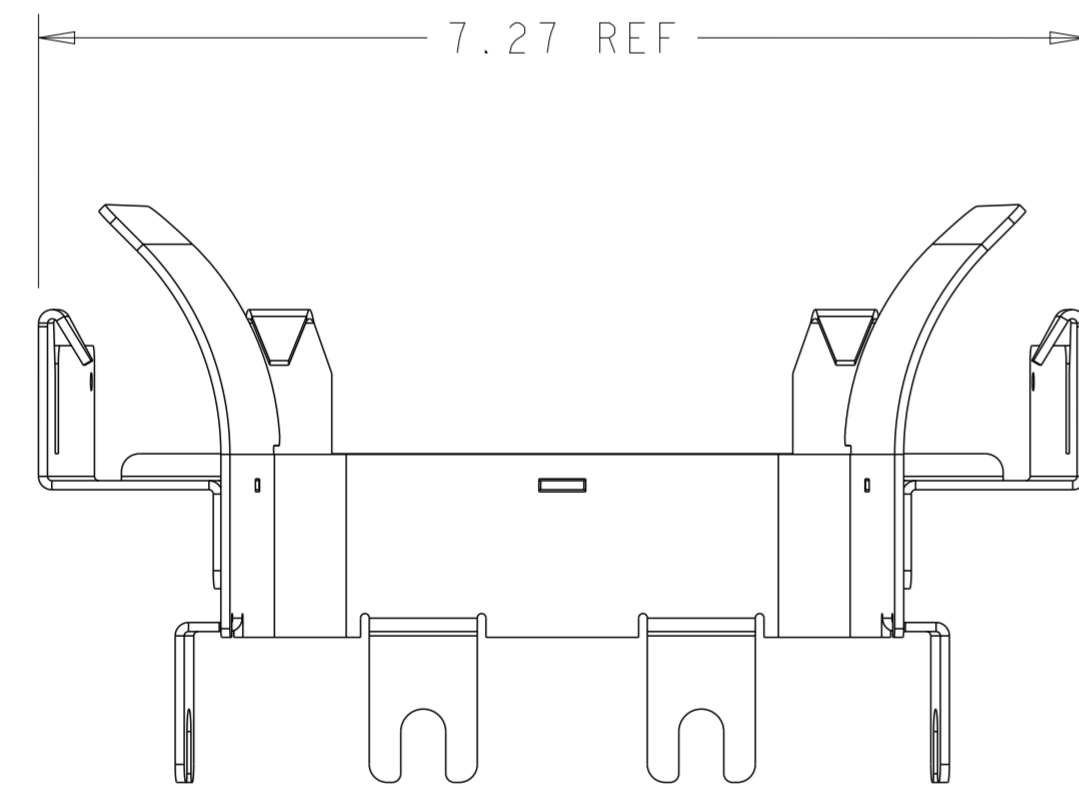
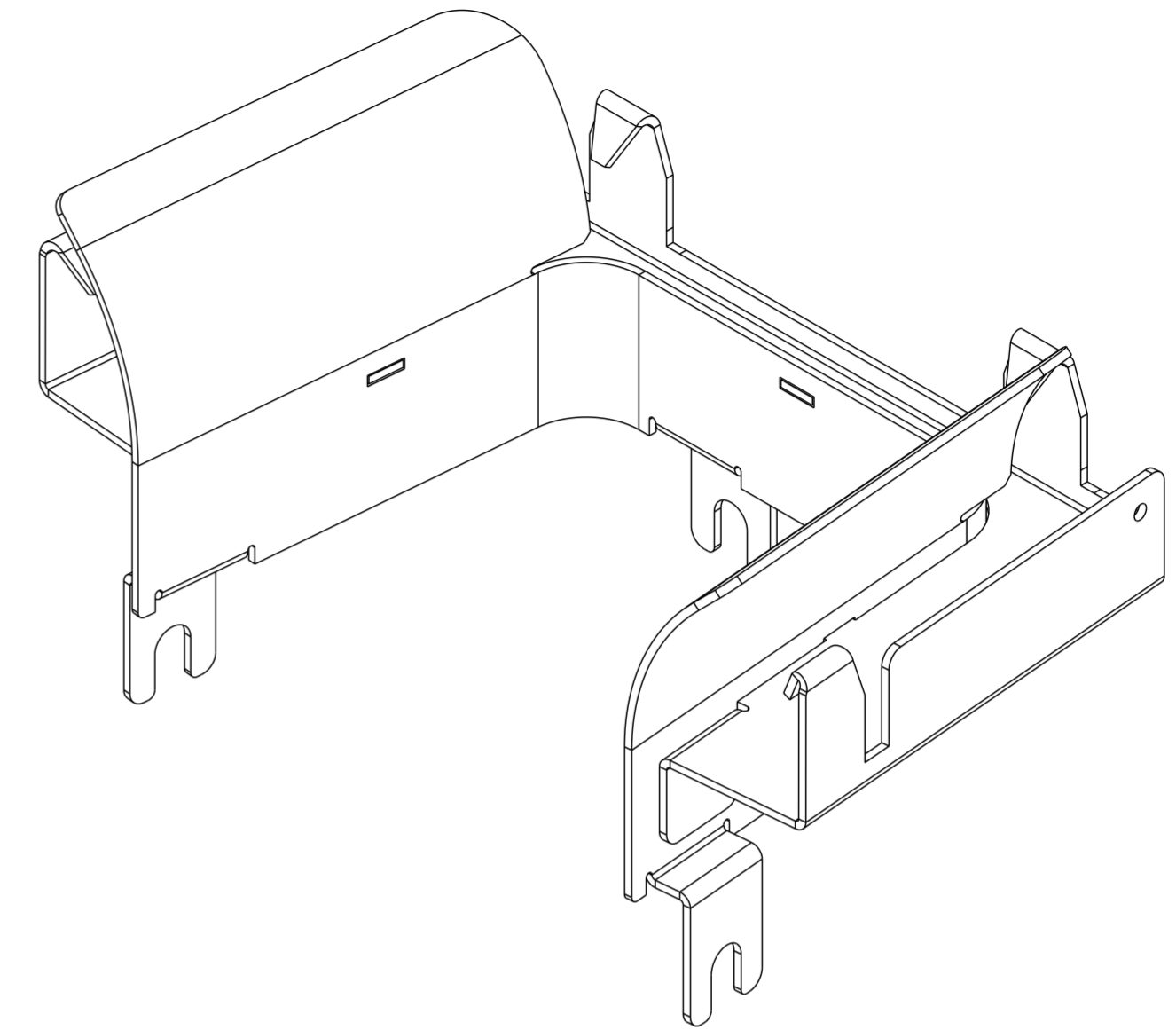
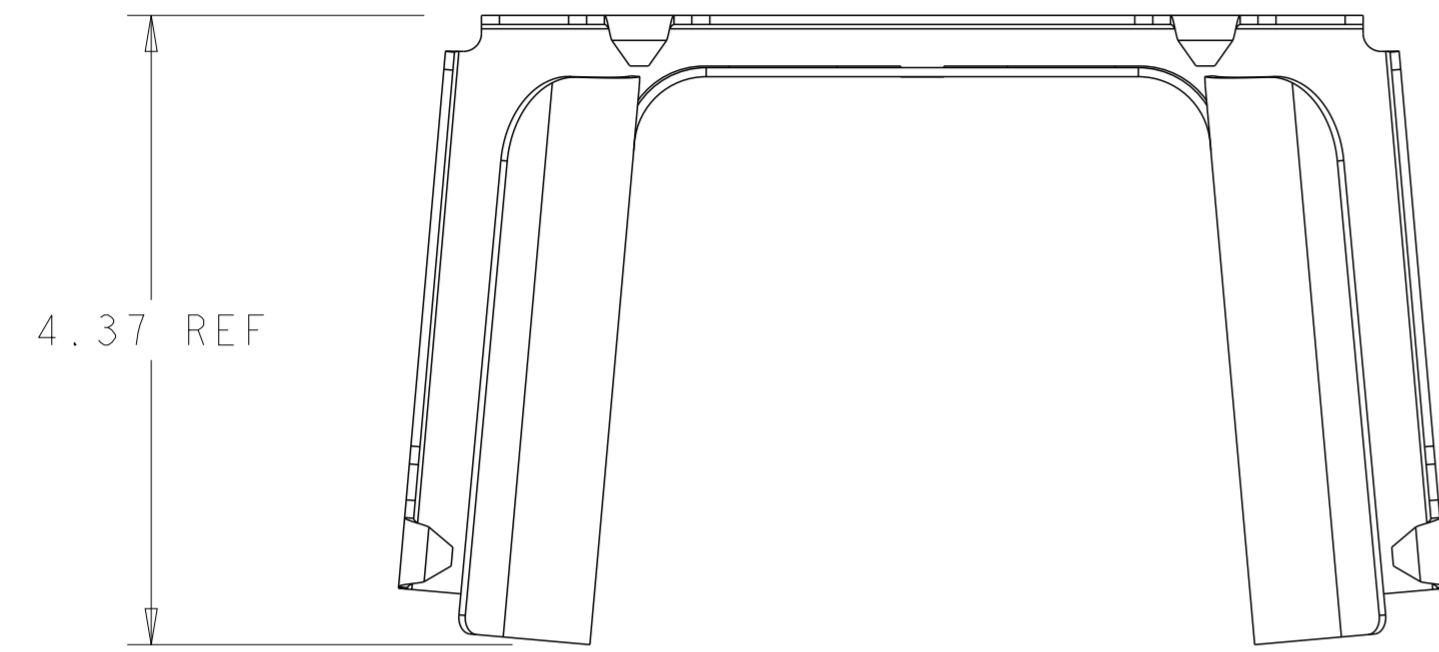


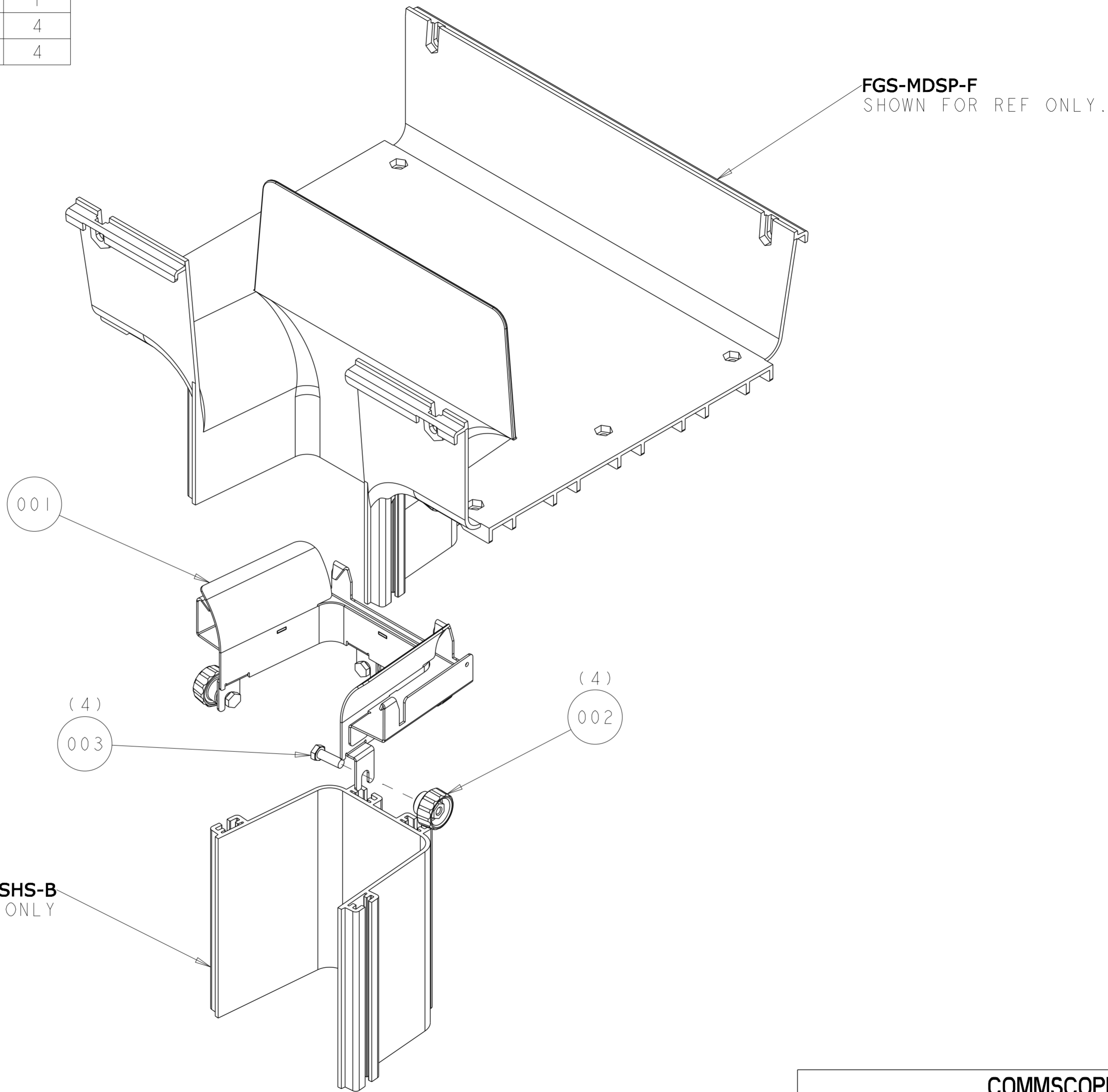
REVISIONS			
REV	DESCRIPTION	DATE	APPROVED
A	40167254CMO	28-JUN-2023	LLBV



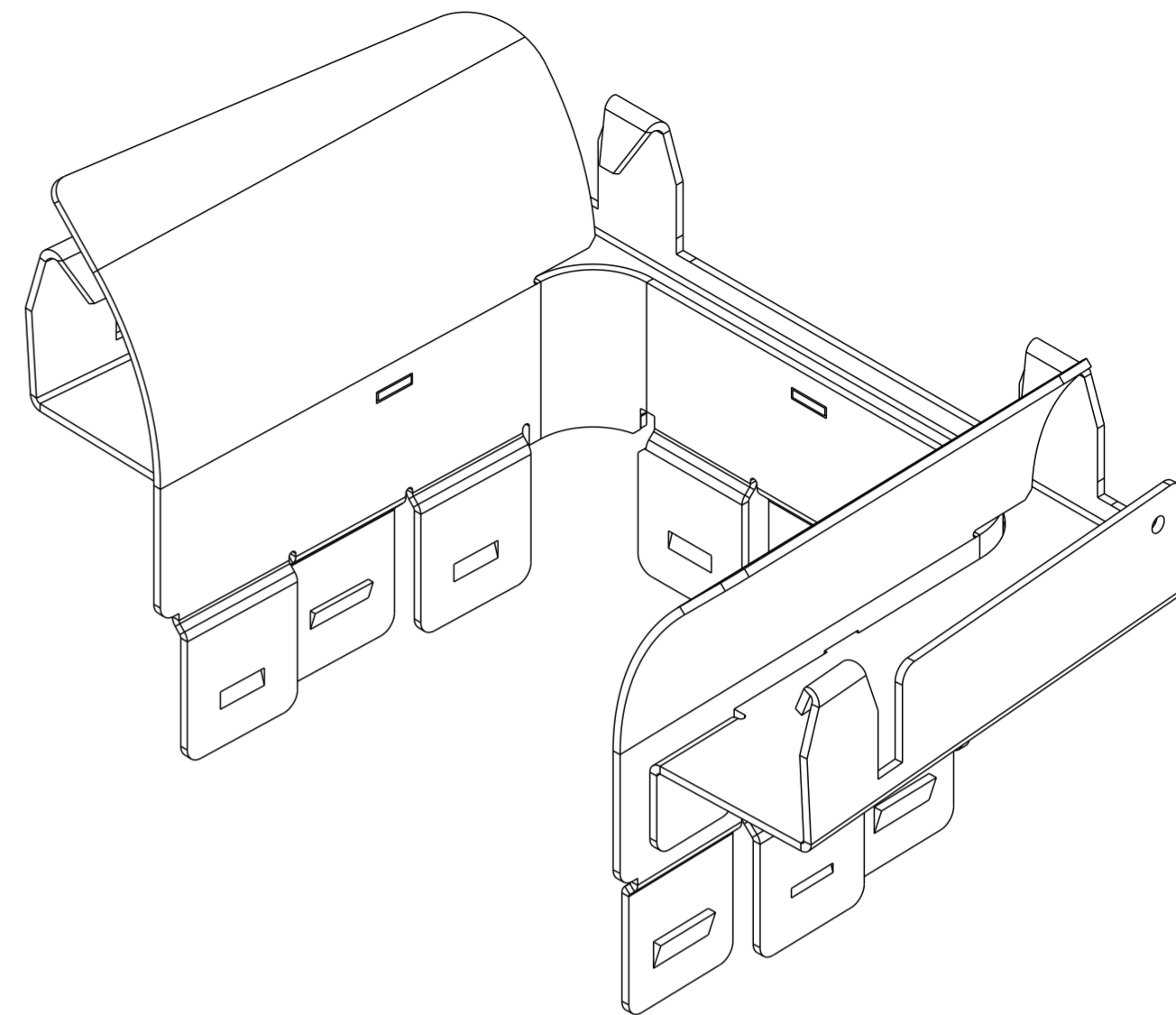
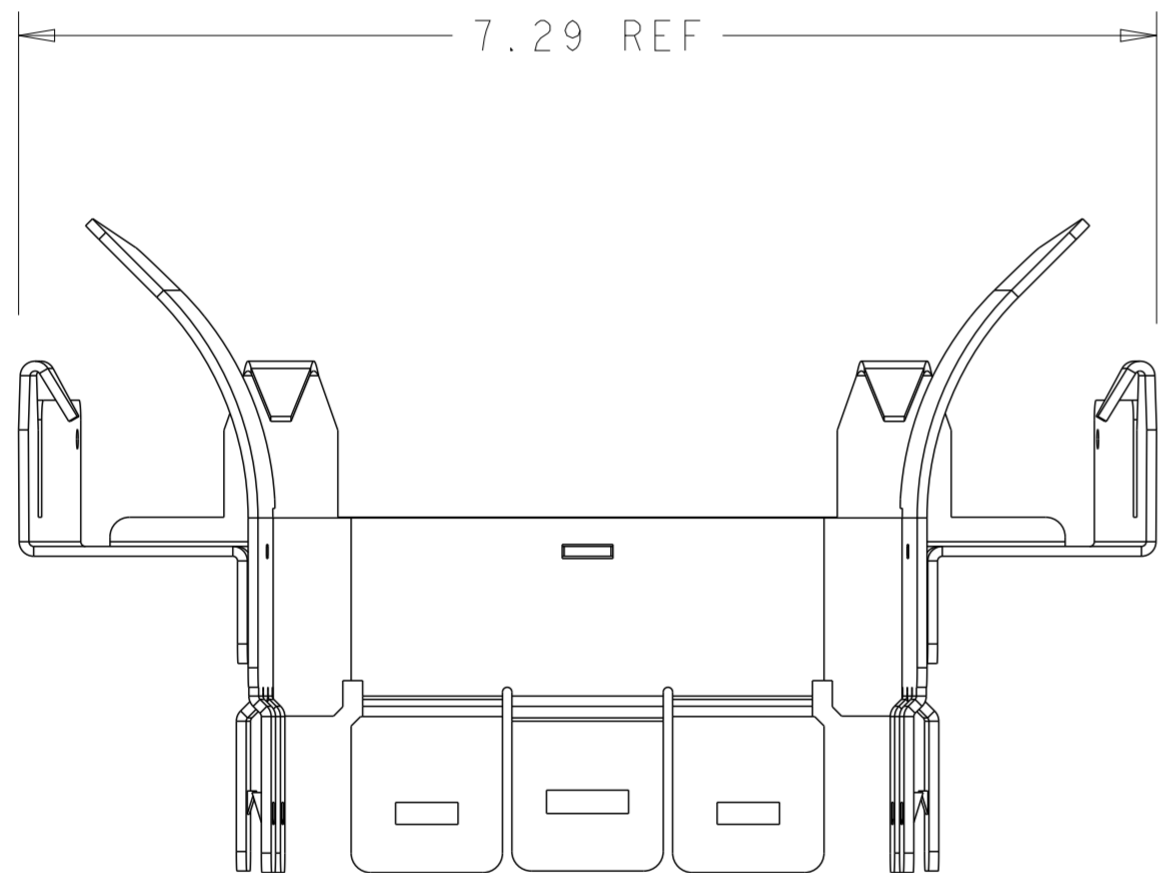
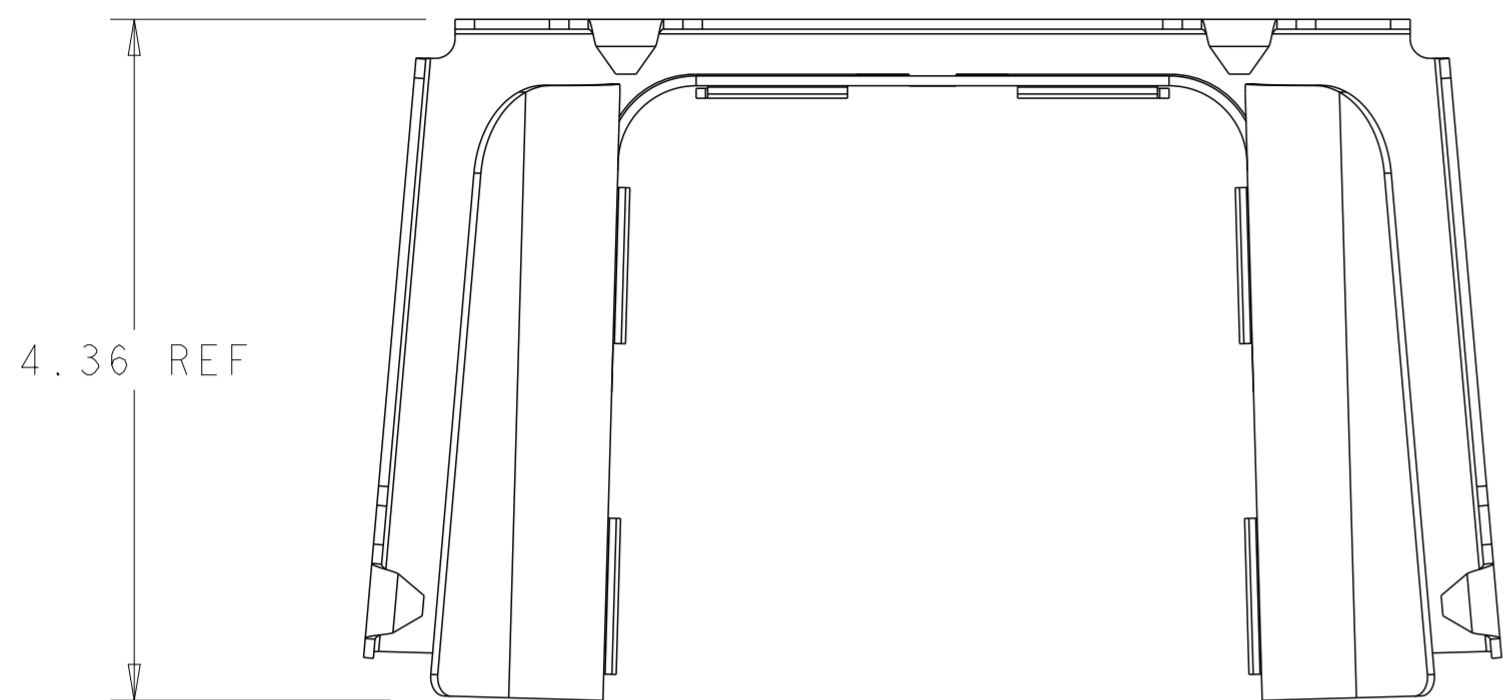
FGS-HDSI-F/DS-AH	3 & 4
FGS-HDSI-F/DS-AV	1 & 2
CATALOG NUMBER	SHEETS

COMMSCOPE, INC.			
DRAFTER MIGUEL MUÑOZ		TITLE DOWNSPOUT 12" INSERT REDUCER 6" TO 4X4" HORZ OR VERT	
ENGINEER LUIS BALANDRAN		SIZE A2	SCALE 1/8
		DOCUMENT NO. 660106189	
CUSTOMER DRAWING			REVISION A
			SHEET 1 OF 4

COMPONENT LIST		
F/N	DESCRIPTION	QTY
001	4" DOWNSPOUT, WELDMENT ASSY	1
002	QUICK KNOB	4
003	HEX HD SCREW 1/4-20 3/4 L	4



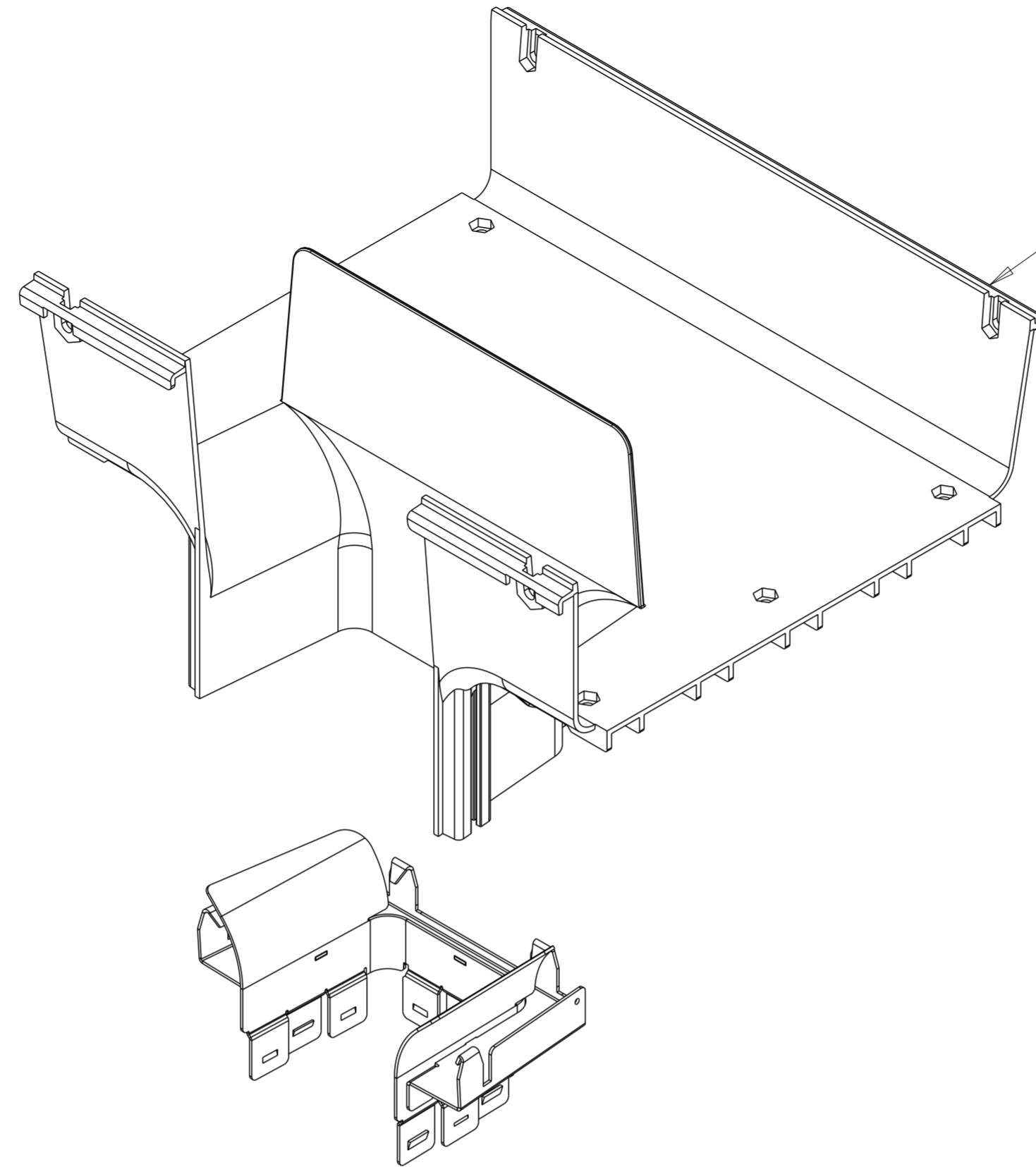
COMMSCOPE, INC.			
DRAFTER MIGUEL MUÑOZ	TITLE DOWNSPOUT 12" INSERT REDUCER 6" TO 4X4" HORZ OR VERT		
ENGINEER LUIS BALANDRAN	SIZE A2	SCALE 1/8	DOCUMENT NO. 660106189
CUSTOMER DRAWING			REVISION A
			SHEET 2 OF 4



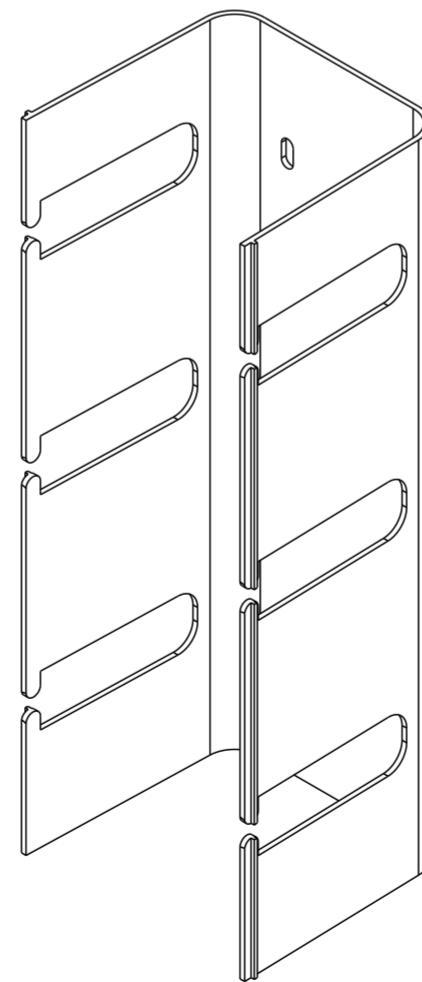
SCALE 7/8

COMMSCOPE, INC.			
DRAFTER MIGUEL MUÑOZ		TITLE DOWNSPOUT 12" INSERT REDUCER 6" TO 4X4" HORZ OR VERT	
ENGINEER LUIS BALANDRAN		SIZE A2	SCALE 1/8
		DOCUMENT NO. 660106189	
CUSTOMER DRAWING			REVISION A
			SHEET 3 OF 4

FGS-MDSP-F
SHOWN FOR REF ONLY.



VERT FGS 4X4
BLANK OR SLOTTED
SHOWN FOR REF ONLY.



COMMSCOPE, INC.			
DRAFTER MIGUEL MUÑOZ	TITLE DOWNSPOUT 12" INSERT REDUCER 6" TO 4X4" HORZ OR VERT		
ENGINEER LUIS BALANDRAN	SIZE A2	SCALE 1/8	DOCUMENT NO. 660106189
		CUSTOMER DRAWING	
			REVISION A
			SHEET 4 OF 4