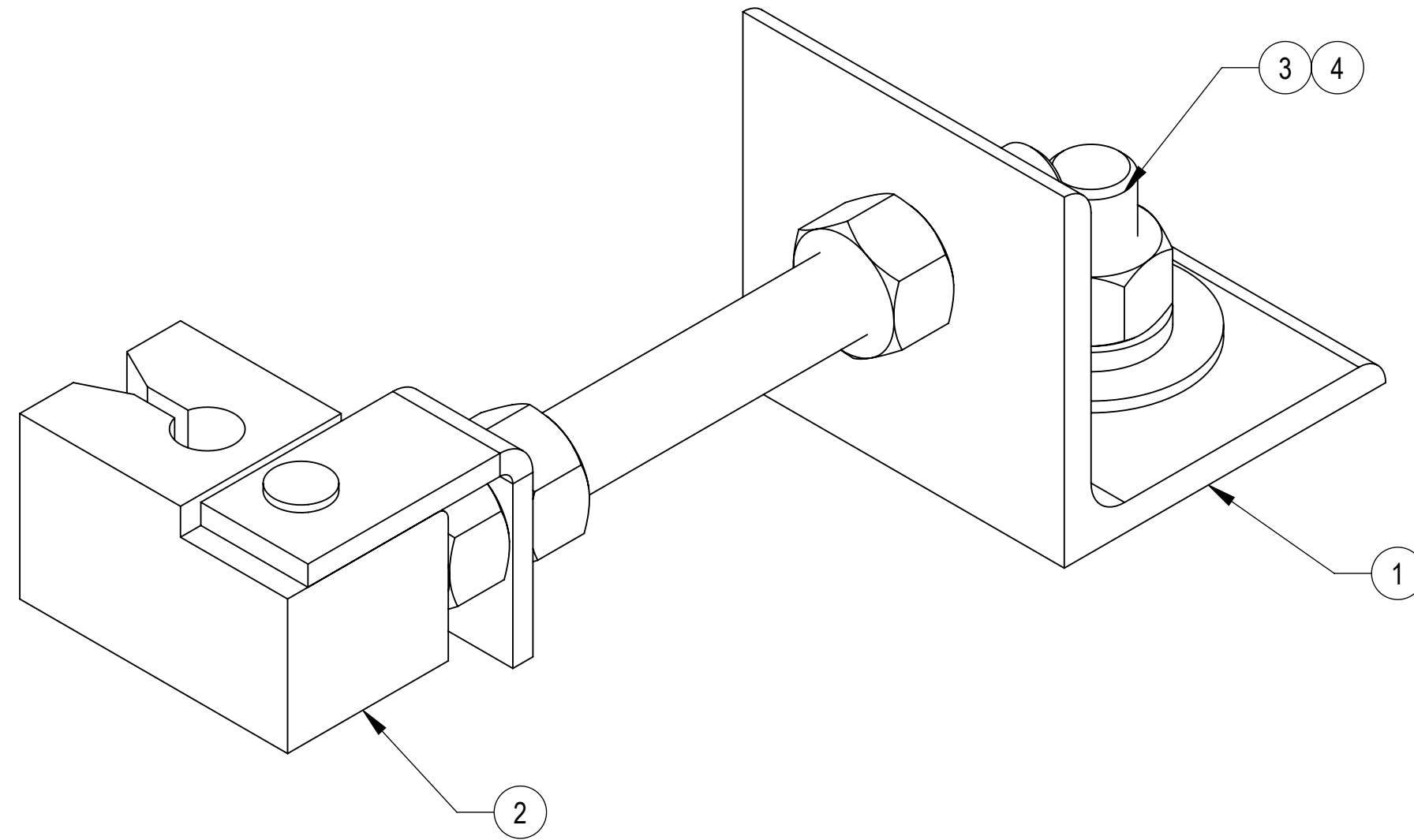


- 1.0 GENERAL NOTES  
 1.1 ALL METRIC DIMENSIONS ARE IN BRACKETS [X. X]  
 1.2 FOR PATENT INFO: <https://www.cs-pat.com>  
 2.0 DESIGN NOTES  
 2.1 ANY HAZARDS OR OBSTRUCTIONS TO THE CLIMBING FACILITY AND SAFETY CLIMB MUST BE IDENTIFIED PRIOR TO INSTALLING THE APPURTENANCE. ADDITIONAL PRODUCTS MAY BE REQUIRED TO MAINTAIN THE INTEGRITY OF THE SAFETY CLIMB. DURING INSTALLATION, TEMPORARY AND/OR PERMANENT PRECAUTIONARY MEASURES SHOULD BE TAKEN TO PRESERVE THE CLIMBING FACILITY AND/OR SAFETY CLIMB.  
 3.0 MANUFACTURING/SPECIAL REQUIREMENTS  
 3.1 TIGHTEN ALL BOLTS SECURING FLAT PLATES BY THE TURN-OF-NUT METHOD. TIGHTEN ALL U-BOLTS USING TURN-OF-NUT METHOD WITH ATTENTION TO LEAVE EQUAL DISTANCE AND EQUAL FORCE ON EACH LEG OF THE U-BOLT.  
 4.0 TEST  
 5.0 PACKAGING  
 5.1 PACKAGING SHALL MEET COMMSCOPE REQUIREMENTS PER DOCUMENT IS-PL-3005  
 5.2 PRINTED DOCUMENT TO BE PLACED INSIDE POLYBAG AND THEN IN SHIPPING CONTAINER  
 5.3 EXTRA HARDWARE MAY BE SUPPLIED, BAGGED AND SHIPPED

REVISIONS			
REV.	DESCRIPTION	DATE	APPROVED
A	INITIAL RELEASE	LS1146 30MAY24	XK1001 40196865CMO



COMPONENT PART NUMBERS PROVIDED FOR ASSEMBLY PURPOSES;  
 INDIVIDUAL COMPONENTS MAY BE SHIPPED AS PARTS WITHIN AN INCLUDED KIT.

ITEM NO.	PART NUMBER	DESCRIPTION	QTY.	WEIGHT	NOTE NO.
1	AL-333	BRACKET, V-BRACING CLIP	1	1.17 LBS	
2	MUK-CG-SM	WIRE ROPE GUIDE - STUD MOUNT	1	1.23 LBS	
3	GB-05205FT	5/8" X 2" GALV BOLT KIT	1	0.26 LBS	INCLUDED BOLT, LOCK WASHER AND NUT
4	GWF-05	5/8" GALV FLAT WASHER, 1.70D	1	0.06 LBS	

DENSITY		lbs/in <sup>3</sup>
MASS	2.82	lbs
VOLUME	13.99	in <sup>3</sup>
SURFACE AREA	120.90	in <sup>2</sup>
HEIGHT	3.0"	
LENGTH	10.0"	
WIDTH	3.0"	

<b>COMMSCOPE, INC. OF NORTH CAROLINA</b>									
TOLERANCES			SAP MATERIAL MASTER						
1 PLACE .X[X] ± 0.2[6.3]		3 PLACE .XXX[X] ± 0.060[1.5]		<b>VZWSMART-MSK16</b>					
2 PLACE .XX[X] ± 0.12[3.0]		ANGLES ± 2°							
FINISH			MATERIAL						
UNLESS OTHERWISE SPECIFIED DIMENSIONS ARE IN INCHES INTERPRET PER ANSI Y 14.5M-1994	NAME	DATE	<b>STUD MOUNTED WIRE ROPE GUIDE</b>						
	CE LS1146	30MAY24							
	RW LS1146	05/30/2024							
	AD XK1001	05/30/2024							
	RE YMENG	05/30/2024							
ECN 40196865CMO			SCALE	DOCUMENT NO.					
			<b>1:2</b>	<b>VZWSMART-MSK16</b>					
SIZE	Auth Group	INSL	MODEL		DRAWING				
<b>C</b>			VERSION	STATUS	REVISION	VERSION	STATUS	REVISION	SHEET
			01	RE	B	00	RE	A	1 OF 1