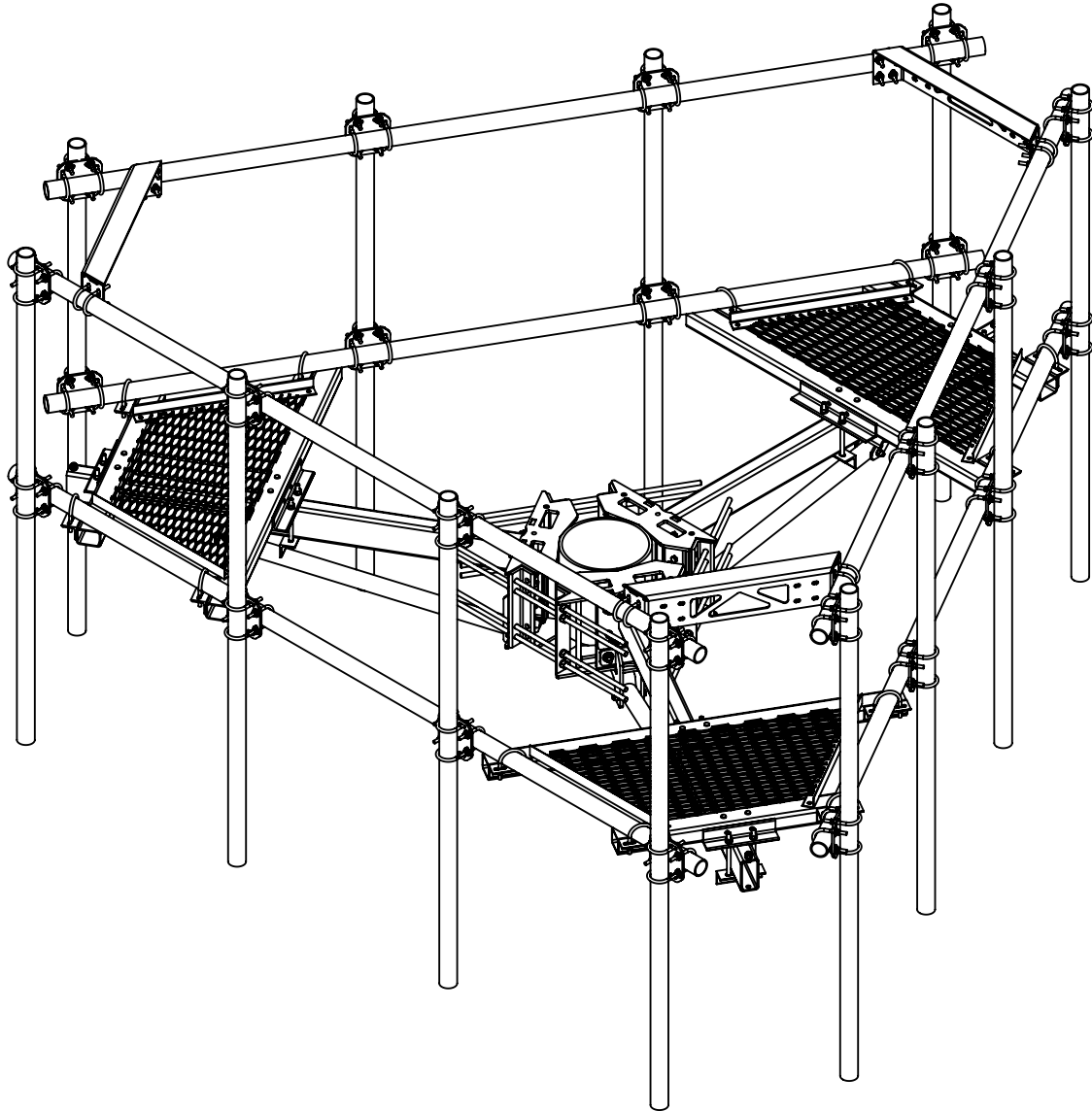
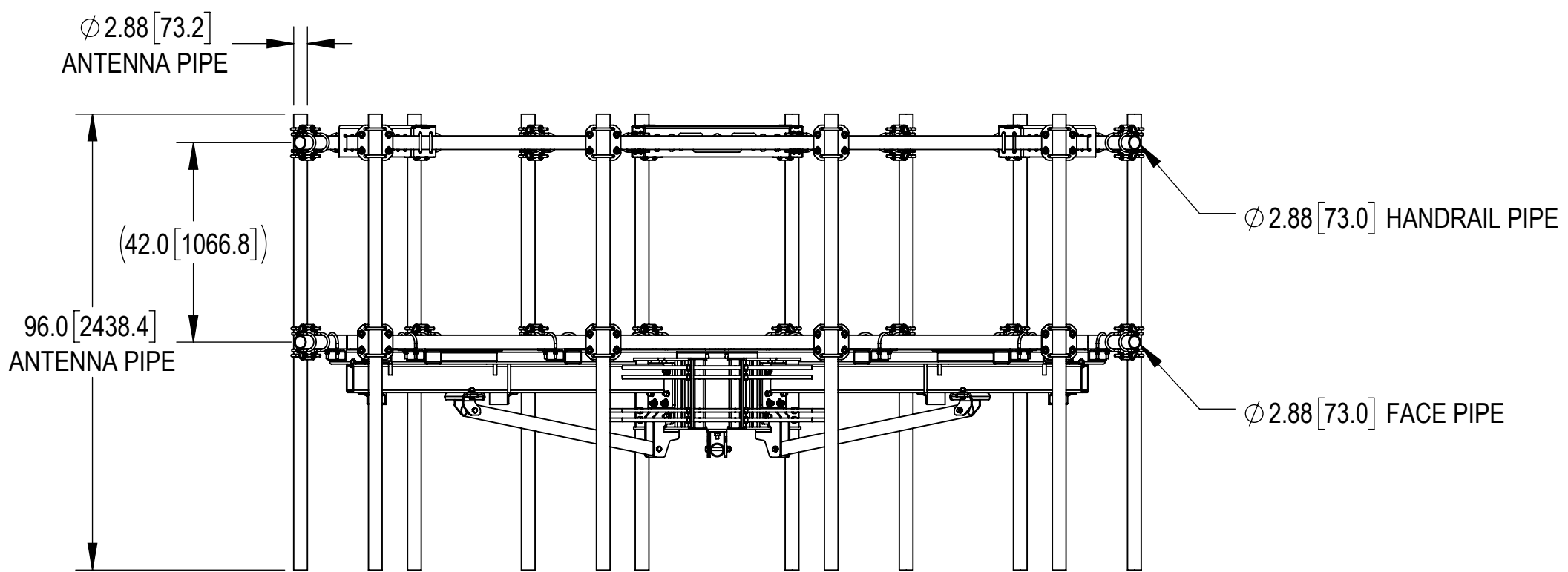
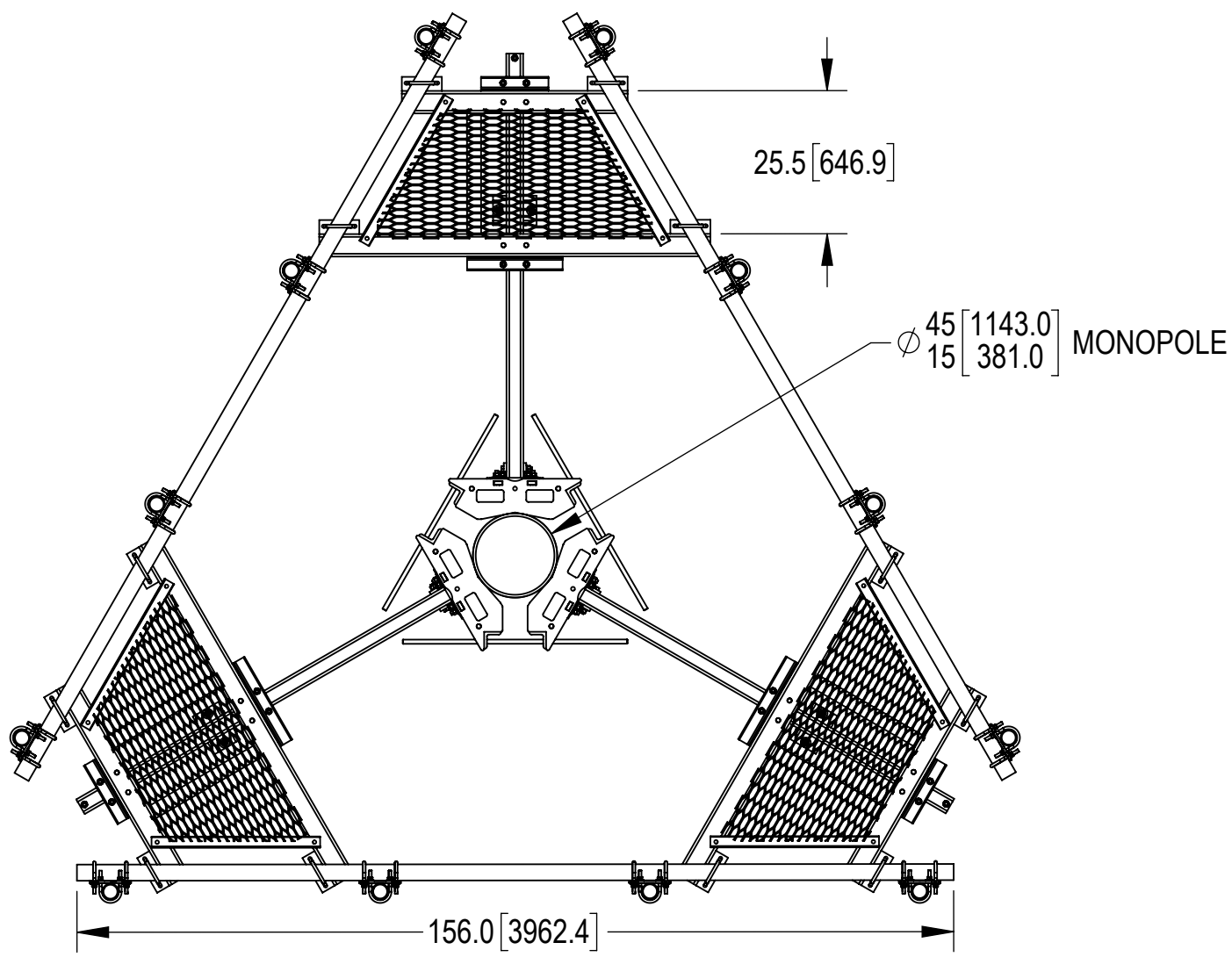


- 1.0 GENERAL NOTES
 1.1 ALL METRIC DIMENSIONS ARE IN BRACKETS [X.X]
 1.2 FOR PATENT INFO: <https://www.cs-pat.com>
- 2.0 DESIGN NOTES
 2.1 ANY HAZARDS OR OBSTRUCTIONS TO THE CLIMBING FACILITY AND SAFETY CLIMB MUST BE IDENTIFIED PRIOR TO INSTALLING THE APPURTENANCE. ADDITIONAL PRODUCTS MAY BE REQUIRED TO MAINTAIN THE INTEGRITY OF THE SAFETY CLIMB. DURING INSTALLATION, TEMPORARY AND/OR PERMANENT PRECAUTIONARY MEASURES SHOULD BE TAKEN TO PRESERVE THE CLIMBING FACILITY AND/OR SAFETY CLIMB.
 2.2 FITS MONOPOLES 15"-45" O.D.
 2.3 ANTENNA PIPES SHOULD BE CENTERED AND EVENLY SPACED.
 2.4 POSITION MOUNT OR ADJUST SAFETY CLIMB CABLE SO NOT TO HINDER OR DAMAGE OR OBSTRUCT THE SAFETY CLIMB. SAFETY CABLE ROUTING BRACKET MAY BE PURCHASED SEPARATELY.
- 3.0 MANUFACTURING/SPECIAL REQUIREMENTS
 3.1 TIGHTEN ALL BOLTS SECURING FLAT PLATES BY THE TURN-OF-NUT METHOD. TIGHTEN ALL U-BOLTS USING TURN-OF-NUT METHOD WITH ATTENTION TO LEAVE EQUAL DISTANCE AND EQUAL FORCE ON EACH LEG OF THE U-BOLT. ALL FASTENERS SHOULD BE TIGHTENED PER AISC 6.5.2.
 3.2 SUGGEST PRE-ASSEMBLE MINI KICKER BRACKET TO RING MOUNT ON THE GROUND.
- 4.0 TEST
- 5.0 PACKAGING
 5.1 PACKAGING SHALL MEET COMMSCOPE REQUIREMENTS PER DOCUMENT IS-PL-3005
 5.2 PRINTED DOCUMENT TO BE PLACED INSIDE POLYBAG AND THEN IN SHIPPING CONTAINER
 5.3 EXTRA HARDWARE MAY BE SUPPLIED, BAGGED AND SHIPPED

REVISIONS			
REV.	DESCRIPTION	DATE	APPROVED
C	CREATED INDIVIDUAL DRAWING	YMENG 05JUN24	CB1094 40197348CMO



COMMSCOPE, INC. OF NORTH CAROLINA									
TOLERANCES					SAP MATERIAL MASTER				
1 PLACE .X[X] ± 0.2[6.3]			3 PLACE .XXX[X] ± 0.060[1.5]		MP-PP13M-12C-96				
2 PLACE .XX[X] ± 0.12[3.0]			ANGLES ± 2°						
FINISH					MATERIAL				
UNLESS OTHERWISE SPECIFIED DIMENSIONS ARE IN INCHES INTERPRET PER ANSI Y 14.5M-1994	NAME	DATE	TITLE						
	CE YMENG	05JUN24	MP, 13', 3S, (12) 2.88" X 96" PIPE, W/HR						
	RW YMENG	06/06/2024							
	AD CB1094	06/07/2024							
	RE YMENG	06/07/2024							
ECN 40197348CMO	SCALE		DOCUMENT NO.						
	1:28		MP-PP13M-12C-96						
SIZE	Auth Group	INSL	MODEL			DRAWING			
C			VERSION	STATUS	REVISION	VERSION	STATUS	REVISION	SHEET
			03	RE	D	00	RE	C	1 OF 10

DENSITY	lbs/in ³
MASS	2548.22 lbs
VOLUME	9377.99 in ³
SURFACE AREA	80745.00 in ²
HEIGHT	
LENGTH	
WIDTH	

PART NUMBERS, WEIGHTS, & EPA

TABLE 1: CONFIGURATIONS

PART NUMBER	DESCRIPTION	WEIGHT (LBS)	(EPA)A (FT^2)*	(EPA)A 1/2" ICE THICKNESS (FT^2)*	ANTENNA PIPES	INCLUDED PARTS							
						MC-RMHD-1245-3	MC-AS-SB02	RK-48-3MK	MPPP-HK01	MT546156	HRK-13-12-01	XP-2525-12	MT54696
MP-PP13M-12C-96	MP,13',3S,(12)2.88"X96"PIPE,W/HR	2548.22	29.99	38.05	12	1	1	1	1	3	1	2	12

* (EPA)A DOES NOT INCLUDE ANTENNA PIPES AND MOUNTING HARDWARE. IF DESIRED, ADD ANTENNA PIPE PER TABLE 2

TABLE 2: EPA OF EACH ANTENNA PIPE

ANTENNA PIPE	(EPA)A (FT^2)	(EPA)A W/ 1/2" ICE THICKNESS (FT^2)
2-7/8" X 96"	1.84	2.48

NOTE:

- ANTENNA PIPES ARE CONSIDERED SEPARATELY.
- KA FACTOR OF 3-SECTOR EPA INCLUDED.
- COMBINE THE ASSOCIATED EPA VALUES IN THE TABLES ABOVE TO DETERMINE THE EPA OF A MOUNT MODEL WITH A LISTED MOUNT PIPE CONFIGURATION.
FOR EXAMPLE, MP-PP13M-12C-96 HAS A 3-SECTOR EPA OF 29.99 FT2 WITH NO ICE PLUS 12 ANTENNA PIPES WITH A 3-SECTOR EPA OF 12X1.84=22.08 FT2 WITH NO ICE.
SO, THE TOTAL EPA OF 52.07 FT2 FOR THE MP-PP13M-12C-96

COMMSCOPE, INC. OF NORTH CAROLINA

TITLE
MP,13',3S,(12)2.88"X96"PIPE,W/HR

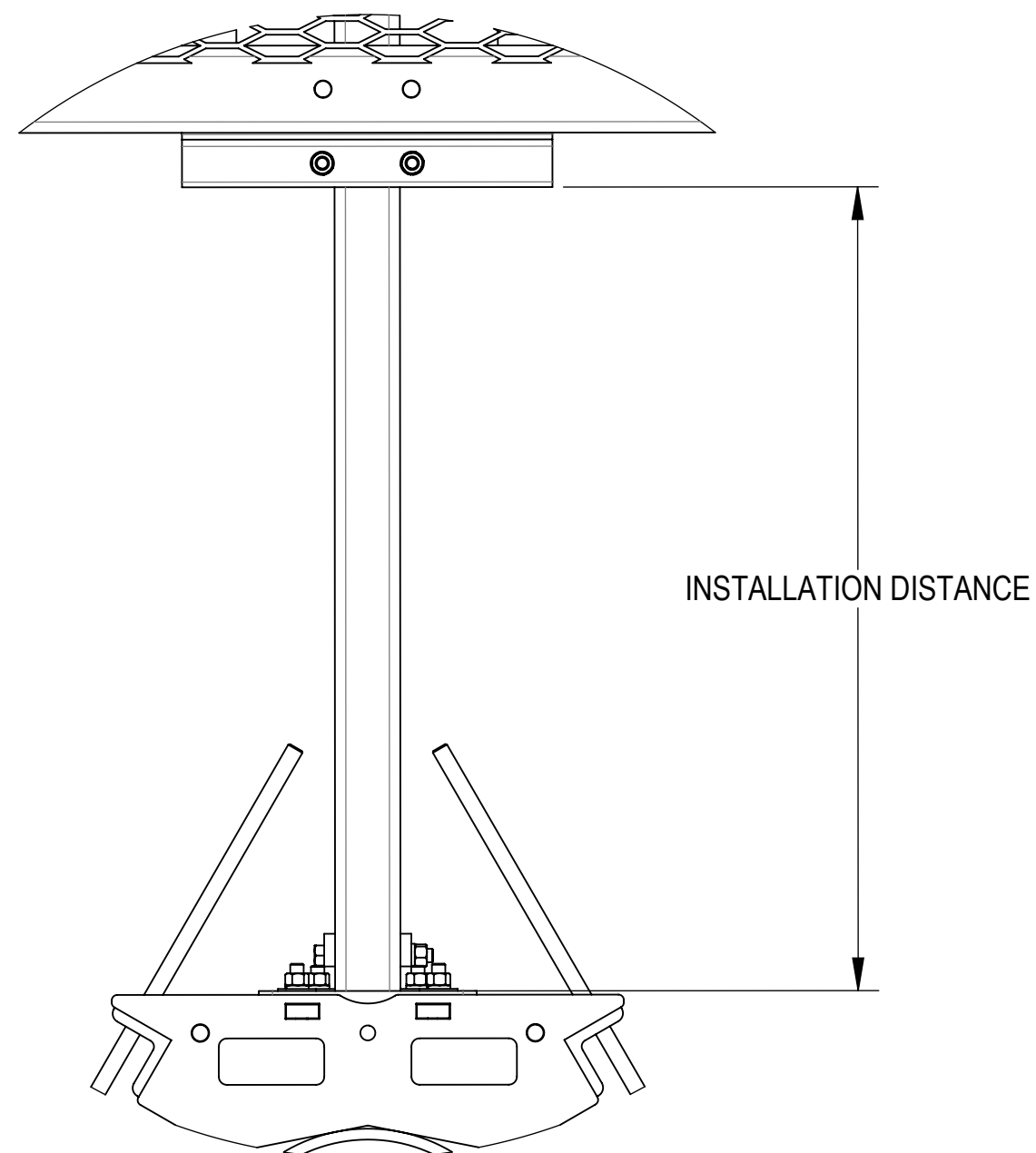
SIZE C	SCALE 1:48	DOCUMENT NO. MP-PP13M-12C-96
------------------	----------------------	---------------------------------



DRAWING			SHEET 2 OF 10
VERSION	STATUS	REVISION	
00	RE	C	

PLATFORM FOR INSTALLATION

ADJUST THE INSTALLATION DISTANCE ACCORDING TO THE DIAMETER OF THE MONOPOLE WHEN INSTALL PLATFORM MC-AS-4000-00.
SEE TABLE 3 DETAIL FOR THE DISTANCE ADJUSTED.



DETAIL X
SCALE 1 : 8

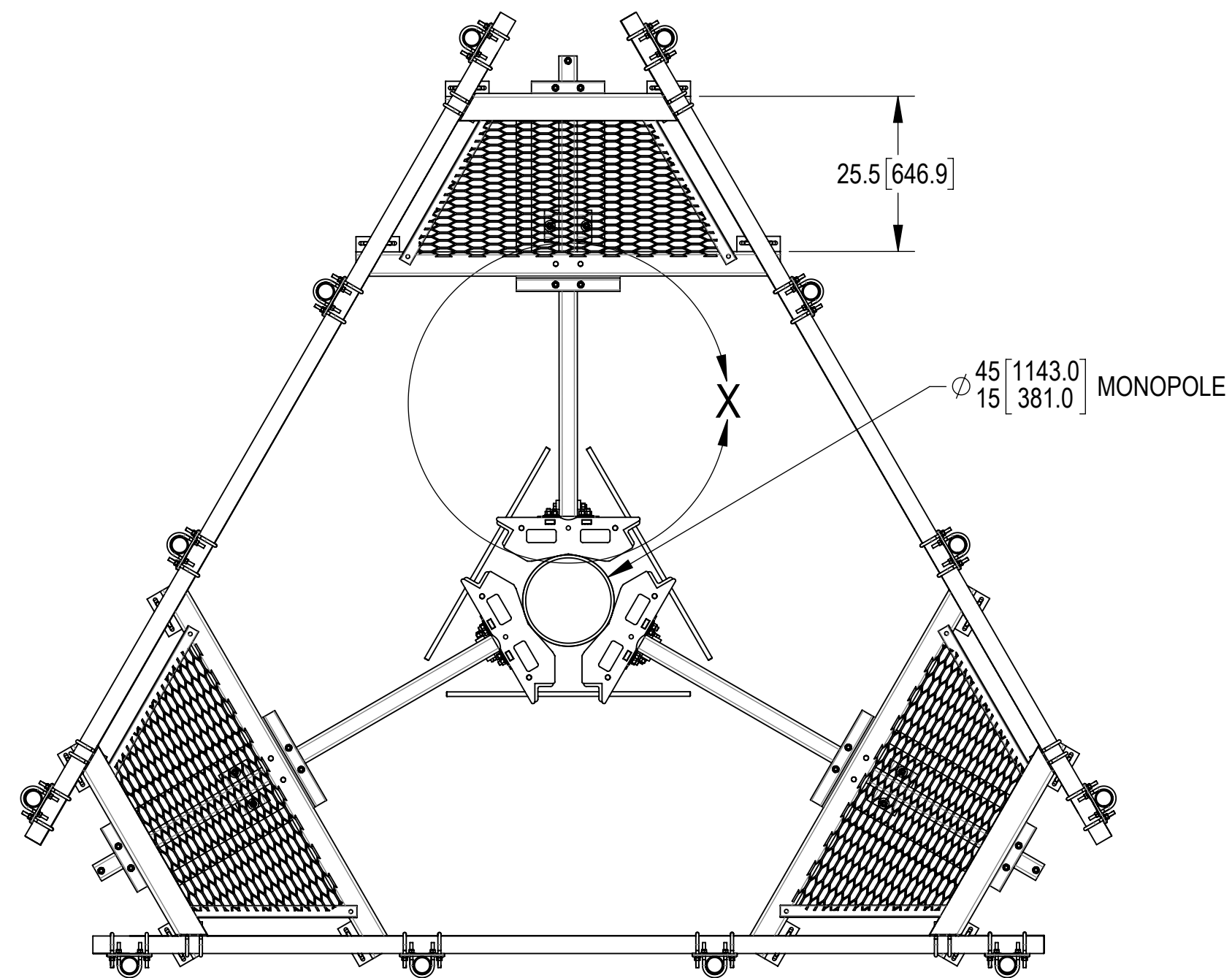


TABLE 3: PLATFORM INSTALLATION POSITION

DIAMETER OF MONOPOLE (INCH)	DISTANCE (INCH)	DIAMETER OF MONOPOLE (MM)	DISTANCE (MM)
15	36.89	381.0	937.0
17.5	35.62	444.5	904.7
20	34.34	508.0	872.2
22.5	33.07	571.5	840.0
25	31.79	635.0	807.5
27.5	30.52	698.5	775.2
30	29.24	762.0	742.7
32.5	27.97	825.5	710.4
35	26.70	889.0	678.2
37.5	25.42	952.5	645.7
40	24.15	1016.0	613.4
42.5	22.87	1079.5	580.9
45	21.60	1143.0	548.6

NOTE: FOR MONOPOLE DIAMETERS THAT ARE NOT IN THE TABLE, USE BELOW FORMULA TO GET THE VALUE OF THE ADJUSTMENT:
DISTANCE OF ADJUSTMENT = $44.54 - 0.51 \cdot D$ (INCH), WHERE D(INCH) IS THE DIAMETER OF MONOPOLE

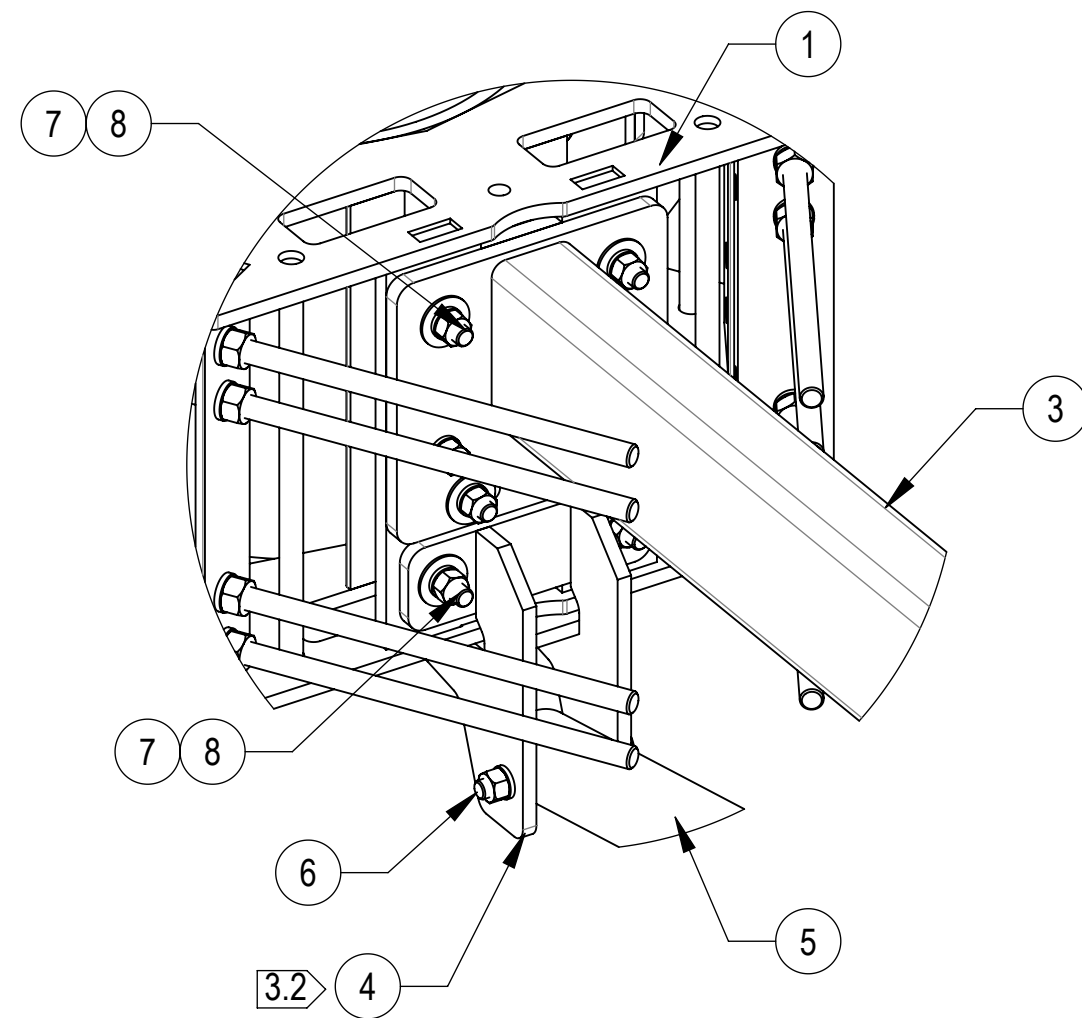
COMMSCOPE, INC. OF NORTH CAROLINA

TITLE
MP,13',3S,(12)2.88"X96"PIPE,W/HR

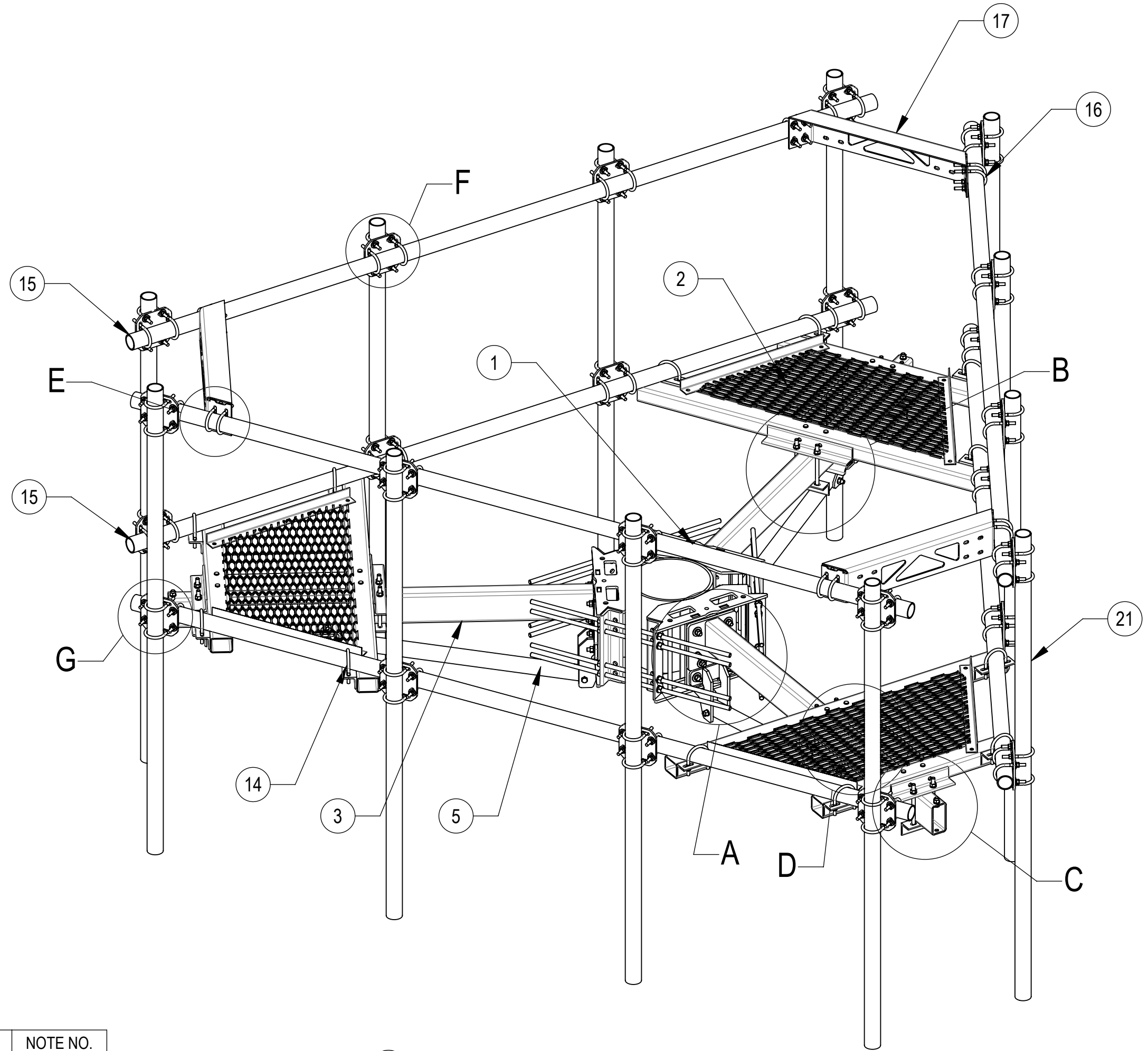
SIZE C SCALE 1:23 DOCUMENT NO. MP-PP13M-12C-96



DRAWING			SHEET 3 OF 10
VERSION	STATUS	REVISION	
00	RE	C	

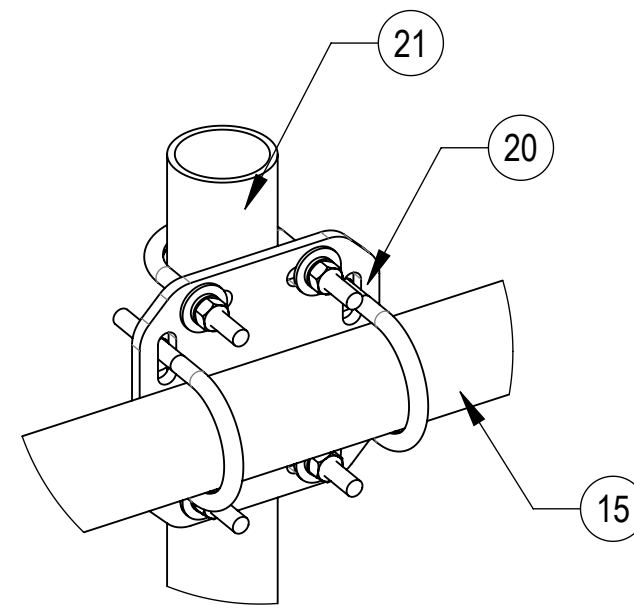


DETAIL A
SCALE 1 : 6

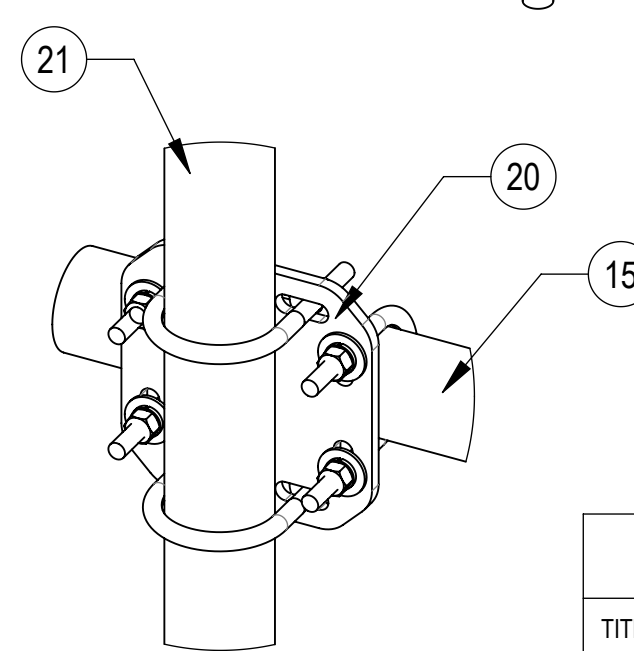


B COMPONENT PART NUMBERS PROVIDED FOR ASSEMBLY PURPOSES;
INDIVIDUAL COMPONENTS MAY BE SHIPPED AS PARTS WITHIN AN INCLUDED KIT.

ITEM NO.	PART NUMBER	DESCRIPTION	QTY.	WEIGHT	NOTE NO.
1	MC-RMHD-1245-3	3 SECTOR RING MOUNT, 12"-45" POLE	1	329.19 LBS	
2	MC-AS-4000-00	WELDMENT, CO-LOCATION PLATFORM DECK	3	142.23 LBS	
3	MC-AS-5000-00	WELDMENT, MONO PLATF SPINDLE	3	107.22 LBS	
4	MC-AS-6100-00	WELDMENT, MINI KICKER BRACKET	3	14.77 LBS	
5	RK48-00	MINI KICKER ARM SUPPORT TUBE 48"	3	22.96 LBS	
6	GB-0550A	5/8" X 5" GALV BOLT KIT (A325)	6	0.52 LBS	
7	GWF-05	5/8" GALV FLAT WASHER, 1.7OD	33	0.06 LBS	
8	GB-0524A	5/8" X 2-1/2" GALV HEX BOLT (A325)	27	0.31 LBS	
9	MC-AS-1200-00	CLAMP PLATE, CO-LOCATION PLATFORM	6	2.97 LBS	
10	9615-14	BOLT, CARRIAGE, 5/8-11, 8.5, STL GALV	12	0.82 LBS	
11	GWL-05	5/8" GALV LOCK WASHER	12	0.03 LBS	
12	GN-05	5/8" GALV HEX NUT	12	0.08 LBS	
13	GB-05125	5/8" X 1-1/4" GALV BOLT KIT	3	0.20 LBS	
14	GUB-4355	1/2" X 3-5/8" X 5" GALV U-BOLT	12	0.71 LBS	
15	MT546156	2.875" O.D. X 156" PIPE	6	75.58 LBS	
16	GUB-4352	1/2" X 3" X 5-1/4" GALV U-BOLT	12	0.71 LBS	
17	MC-AS-6200-00	CORNER WELDMEMT, HANDRAIL	3	23.91 LBS	
18	MC-AS-6400-00	WELDMENT, MINI KICKER CLIP	3	5.97 LBS	
19	GB-0520A	5/8" X 2" GALV BOLT KIT (A325)	6	0.26 LBS	
20	XP-2525	CROSSOVER PLATE KIT, 2-7/8 OD X 2-7/8 OD	24	8.37 LBS	
21	MT54696	PIPE, 2.875"OD X 96"	12	45.96 LBS	



DETAIL F
SCALE 1 : 5



DETAIL G
SCALE 1 : 5

SOME ITEMS OMITTED FOR CLARITY

COMMSCOPE, INC. OF NORTH CAROLINA				
TITLE MP, 13', 3S, (12) 2.88" X 96" PIPE, W/HR				
SIZE C	SCALE 1:20	DOCUMENT NO. MP-PP13M-12C-96		
DRAWING		VERSION	STATUS	REVISION
SHEET 4 OF 10		00	RE	C

4

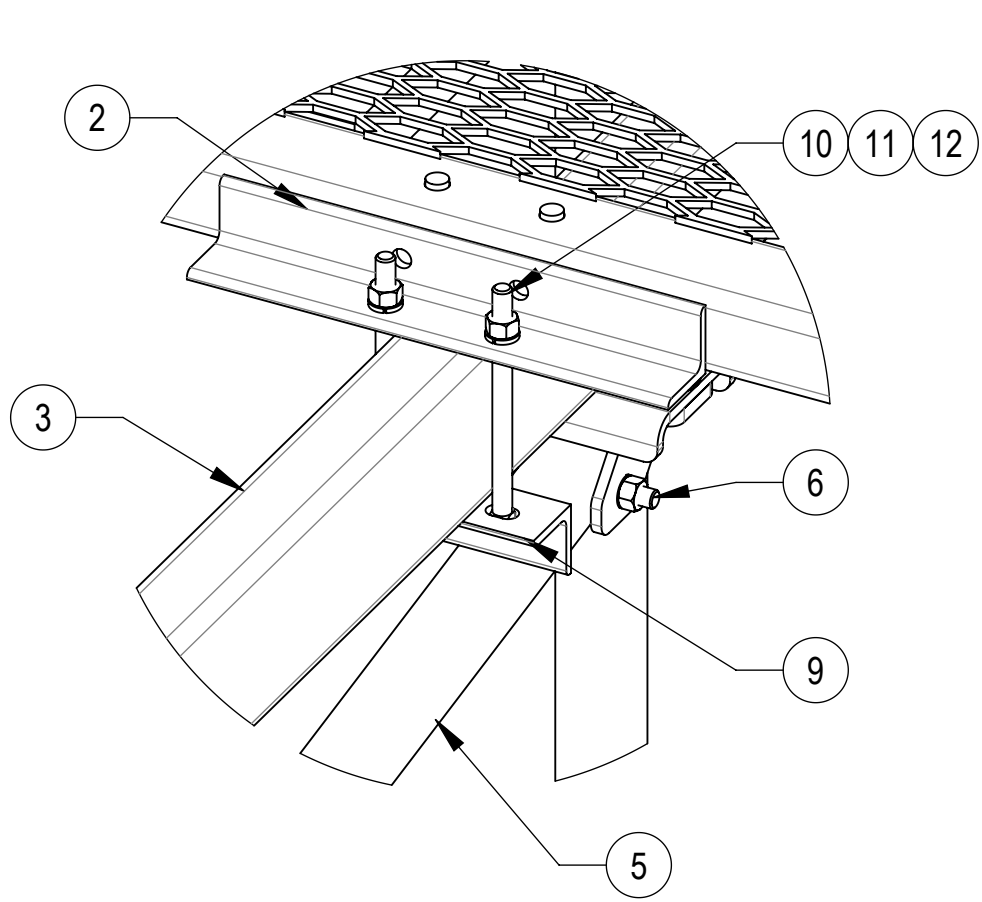
3

2

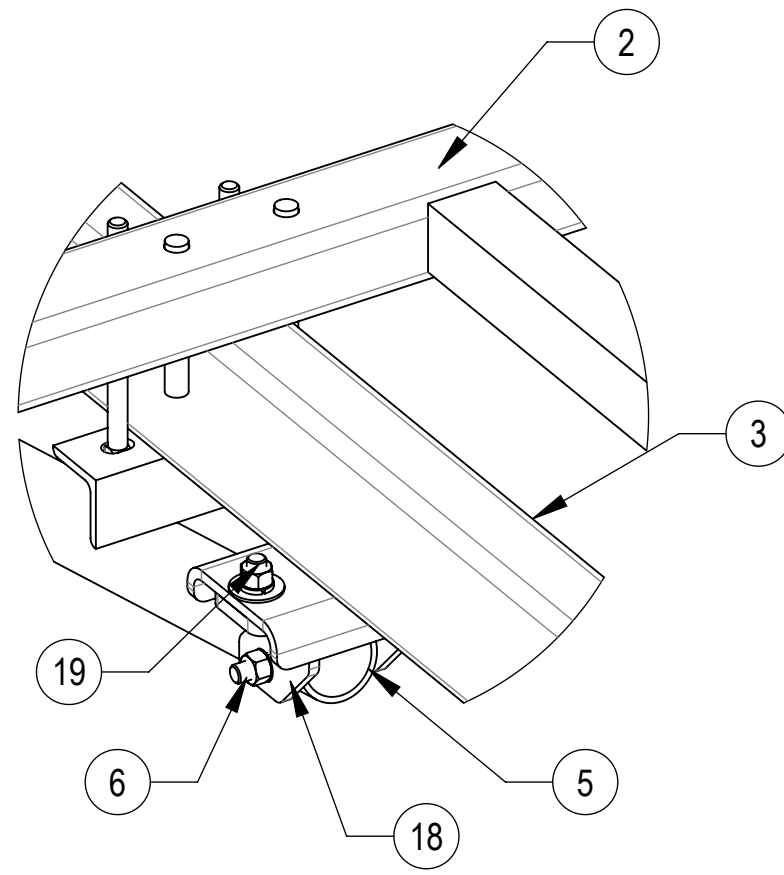
1

D

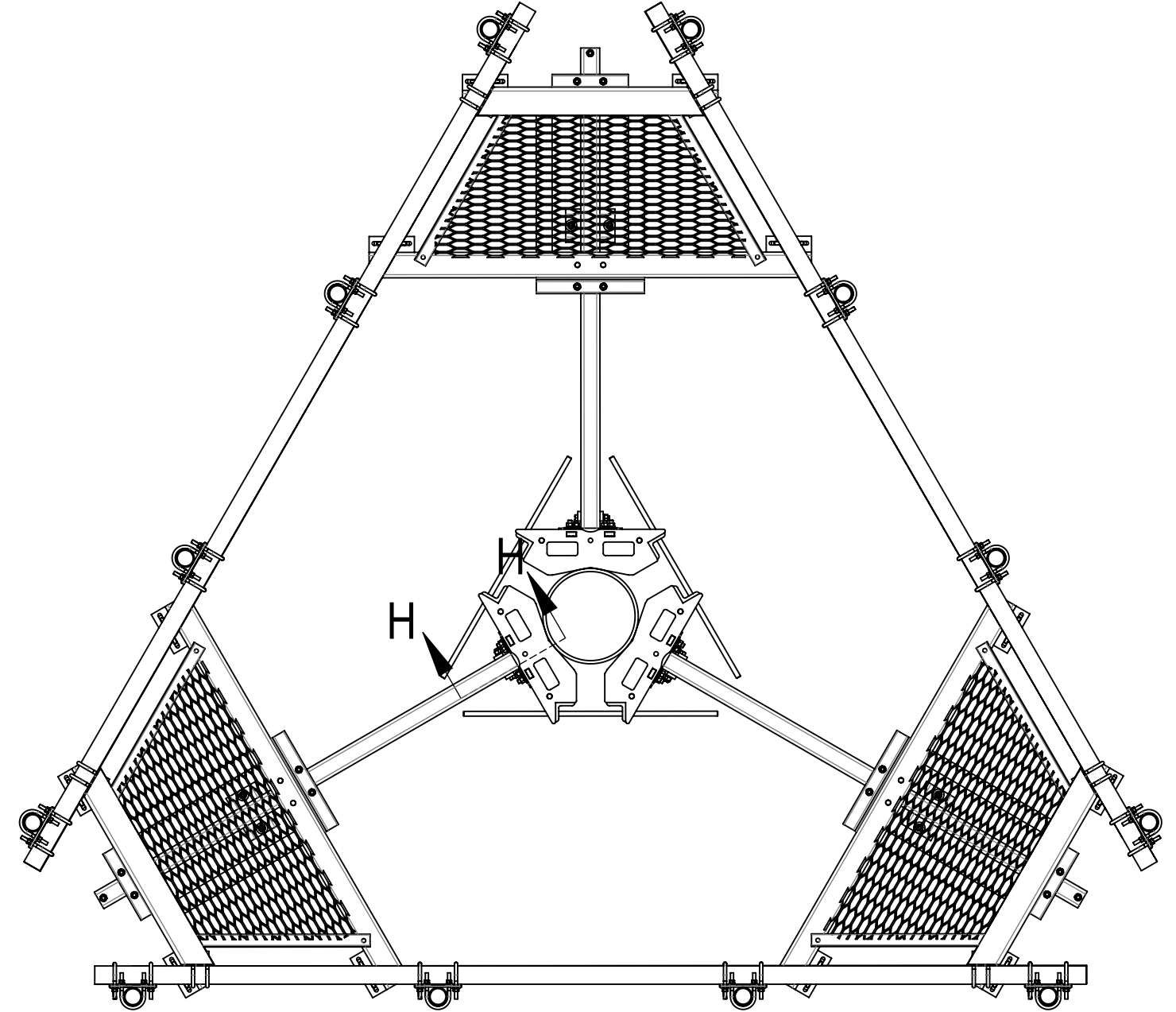
D



DETAIL B
SCALE 1:6



DETAIL D
SCALE 1:6

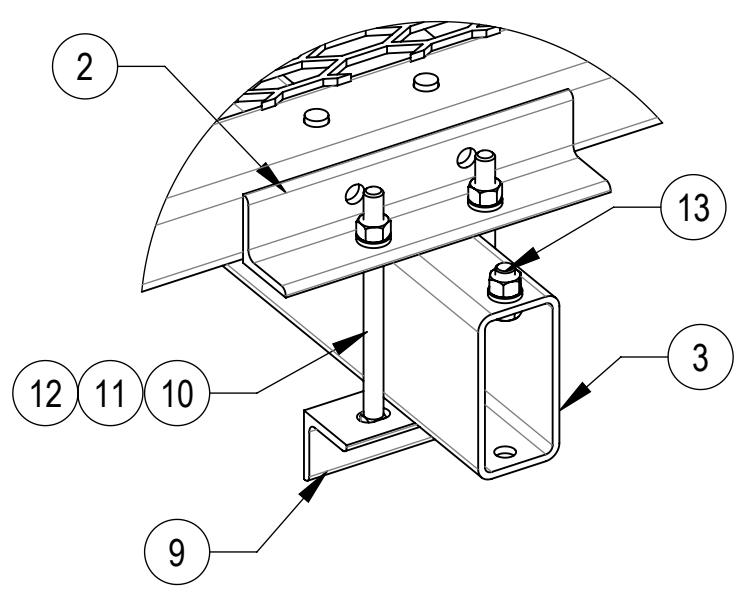


C

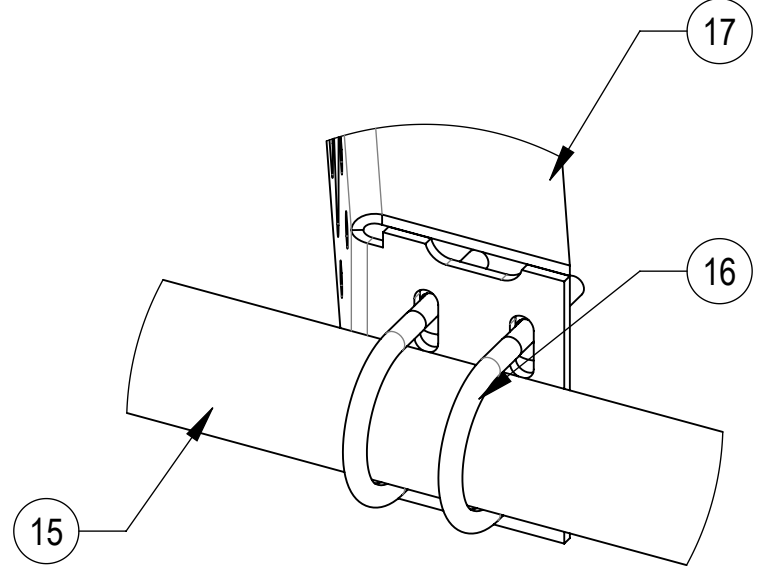
C

B

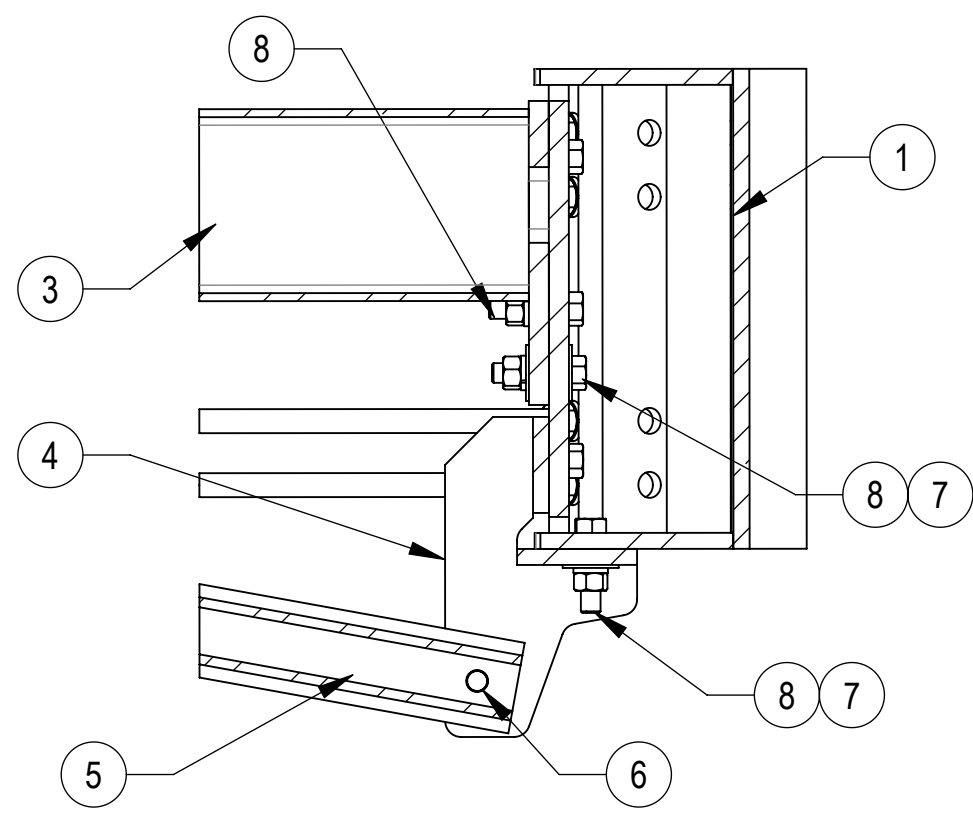
B



DETAIL C
SCALE 1:6



DETAIL E
SCALE 1:4



SECTION H-H
SCALE 1:6

A

A

SOME ITEMS OMITTED FOR CLARITY

COMMSCOPE, INC. OF NORTH CAROLINA				
TITLE MP,13',3S,(12)2.88"X96"PIPE,W/HR				
SIZE C	SCALE 1:20	DOCUMENT NO. MP-PP13M-12C-96		
		DRAWING		SHEET
		VERSION	STATUS	REVISION
		00	RE	C
				5 OF 10

4

3

2

1

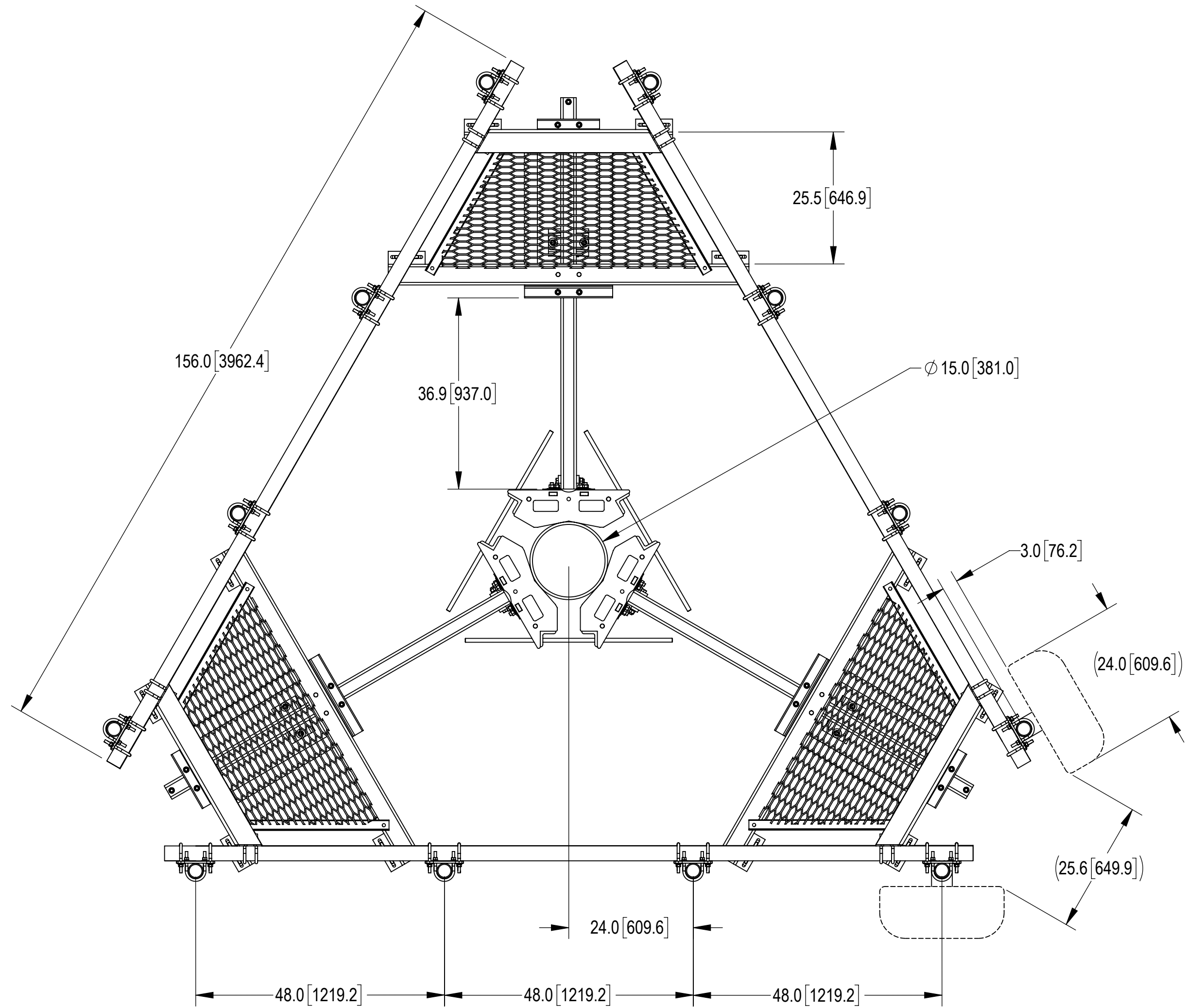
4

3

2

1

ANTENNA SPACING SHOWN



15" MONOPOLE

COMMSCOPE, INC. OF NORTH CAROLINA				
TITLE MP,13',3S,(12)2.88"X96"PIPE,W/HR				
SIZE C	SCALE 1:23	DOCUMENT NO. MP-PP13M-12C-96		
		DRAWING		SHEET
		VERSION	STATUS	REVISION
		00	RE	C
				6 OF 10

© 2024 CommScope, Inc. Confidential

4

3

2

1

D

D

C

C

B

B

A

A

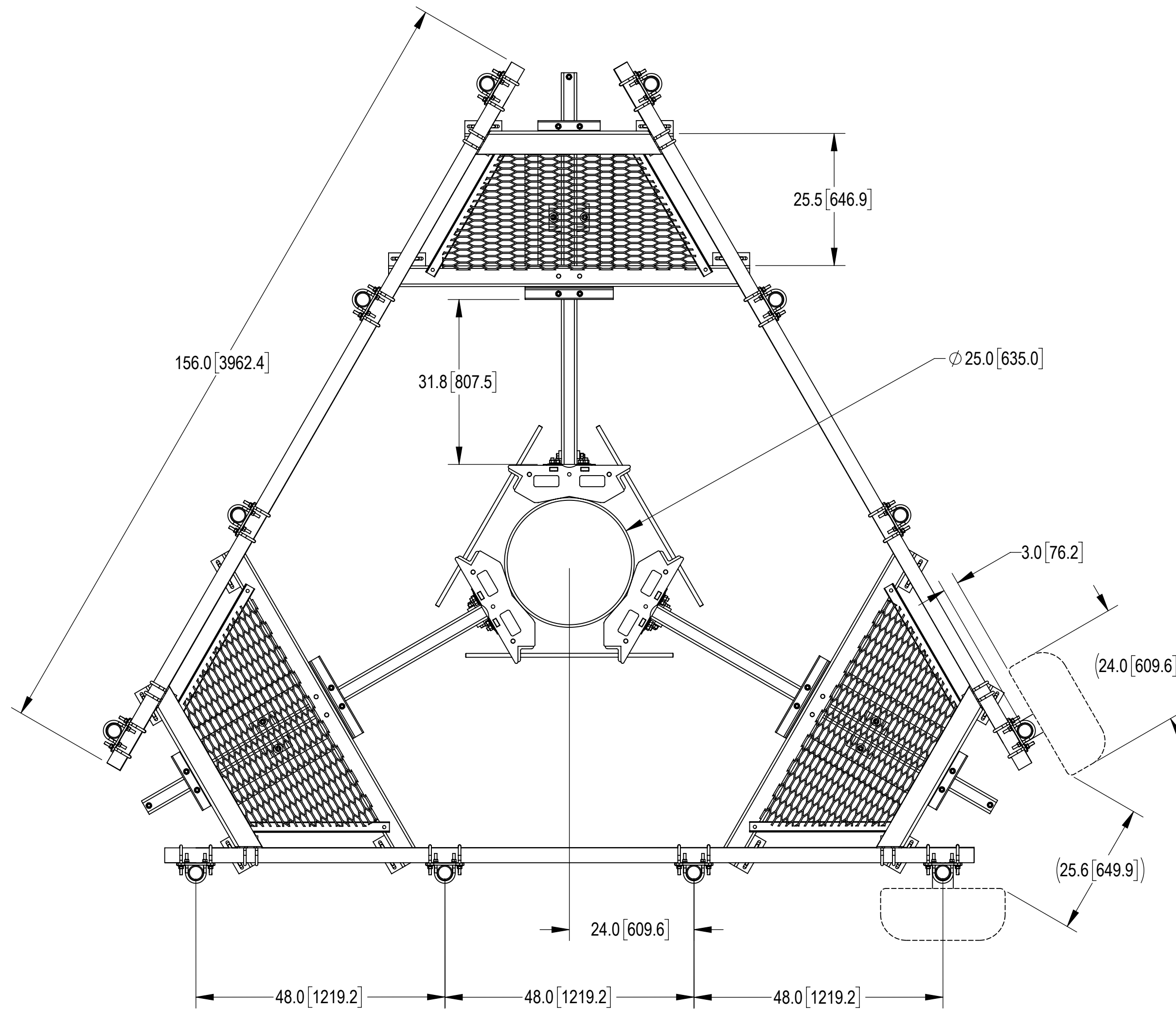
4

3

2

1

ANTENNA SPACING SHOWN



25" MONOPOLE

COMMSCOPE, INC. OF NORTH CAROLINA

TITLE
MP, 13', 3S, (12) 2.88" X 96" PIPE, W/HR

SIZE C	SCALE 1:23	DOCUMENT NO. MP-PP13M-12C-96	
------------------	----------------------	---------------------------------	--



DRAWING		
VERSION	STATUS	REVISION
00	RE	C

SHEET
7 OF 10

4

3

2

1

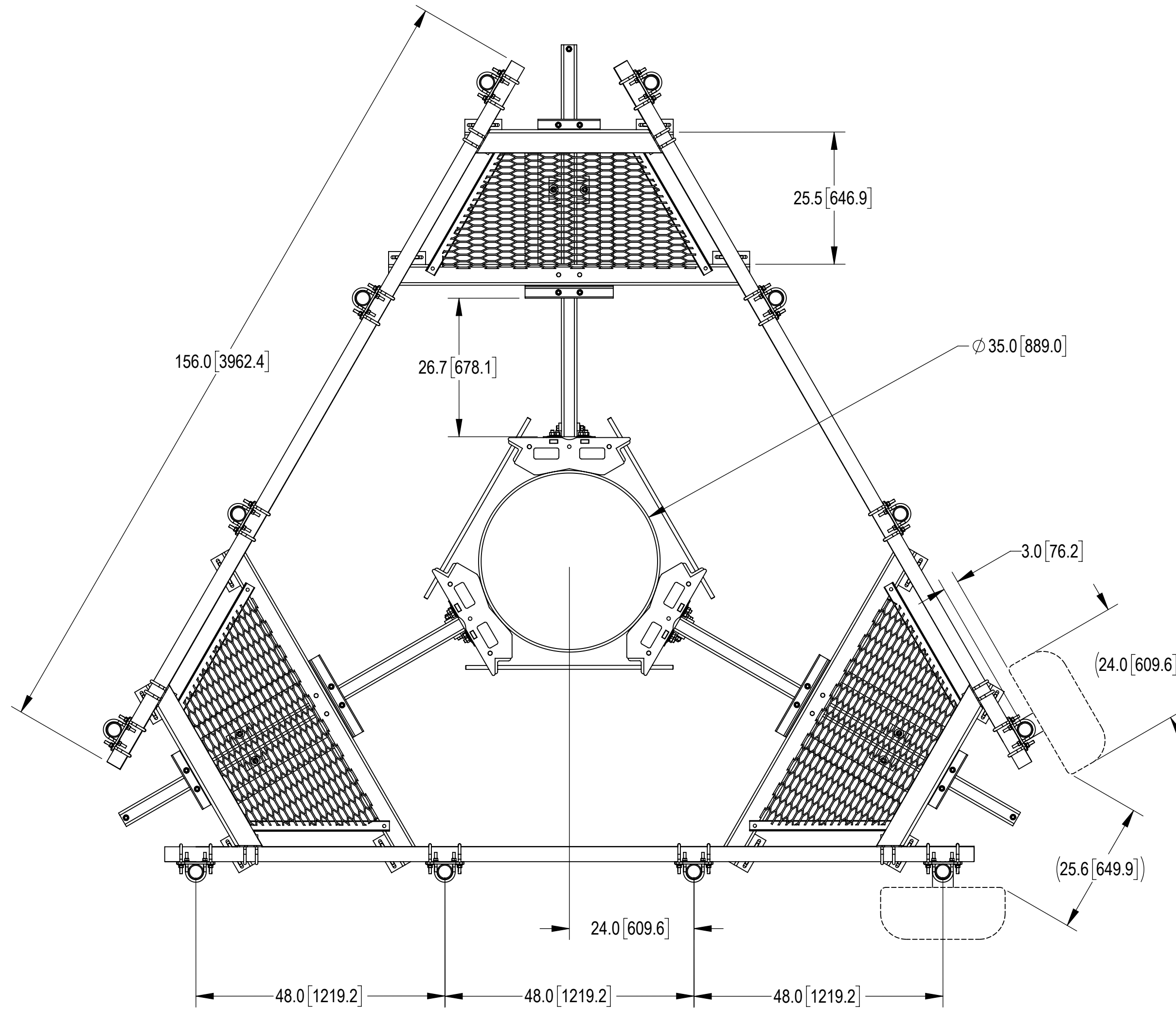
4

3

2

1

ANTENNA SPACING SHOWN



35" MONOPOLE

COMMSCOPE, INC. OF NORTH CAROLINA				
TITLE MP, 13', 3S, (12) 2.88" X 96" PIPE, W/HR				
SIZE C	SCALE 1:23	DOCUMENT NO. MP-PP13M-12C-96		
		DRAWING		SHEET
		VERSION	STATUS	REVISION
		00	RE	C
				8 OF 10

© 2024 CommScope, Inc. Confidential

4

3

2

1

D

D

C

C

B

B

A

A

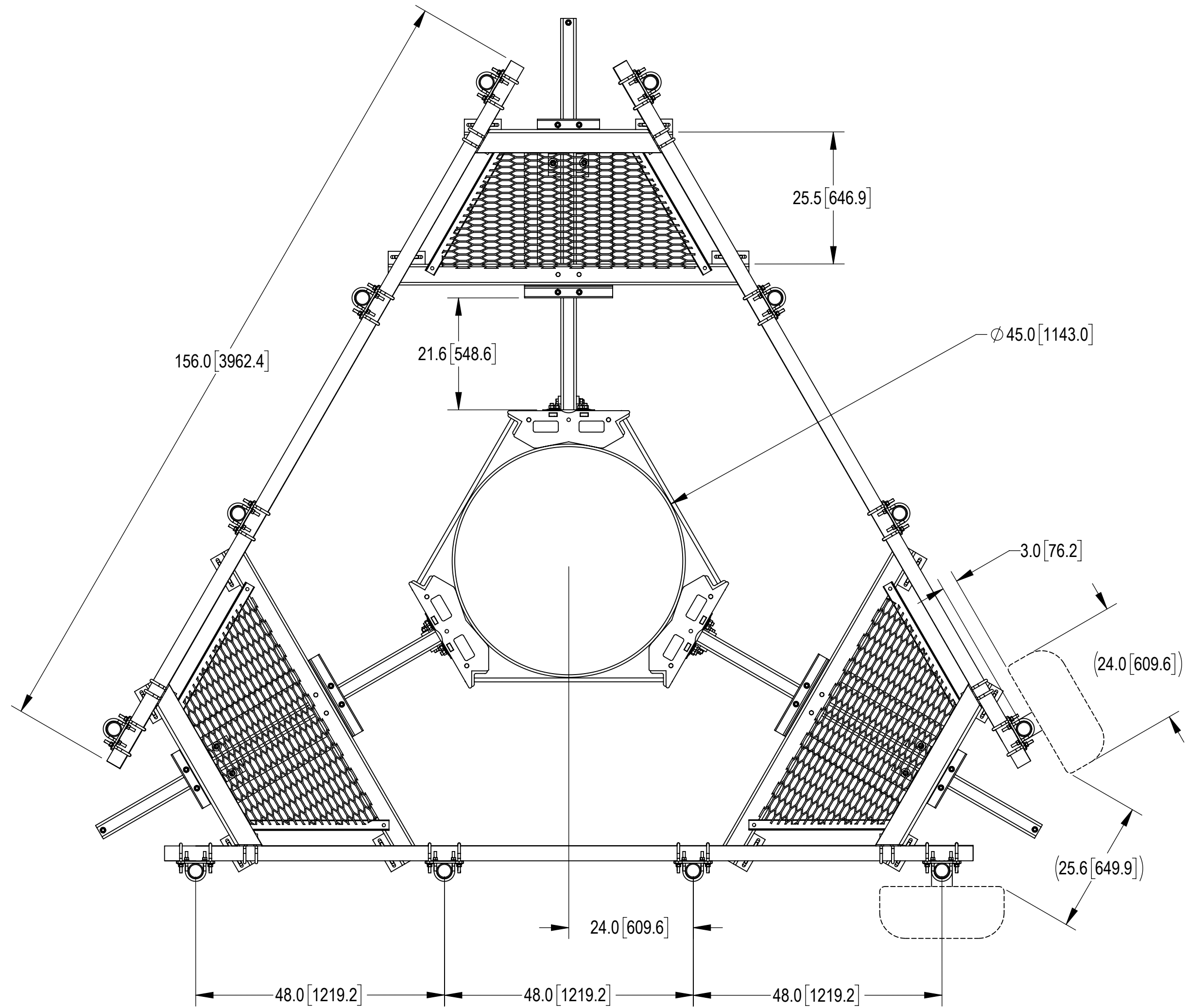
4

3

2

1

ANTENNA SPACING SHOWN



45" MONOPOLE

COMMSCOPE, INC. OF NORTH CAROLINA				
TITLE MP,13',3S,(12)2.88"X96"PIPE,W/HR				
SIZE C	SCALE 1:23	DOCUMENT NO. MP-PP13M-12C-96		
		DRAWING		SHEET
		VERSION	STATUS	REVISION
		00	RE	C
				9 OF 10

© 2024 CommScope, Inc. Confidential

4

3

2

1

D

D

C

C

B

B

A

A

4

3

2

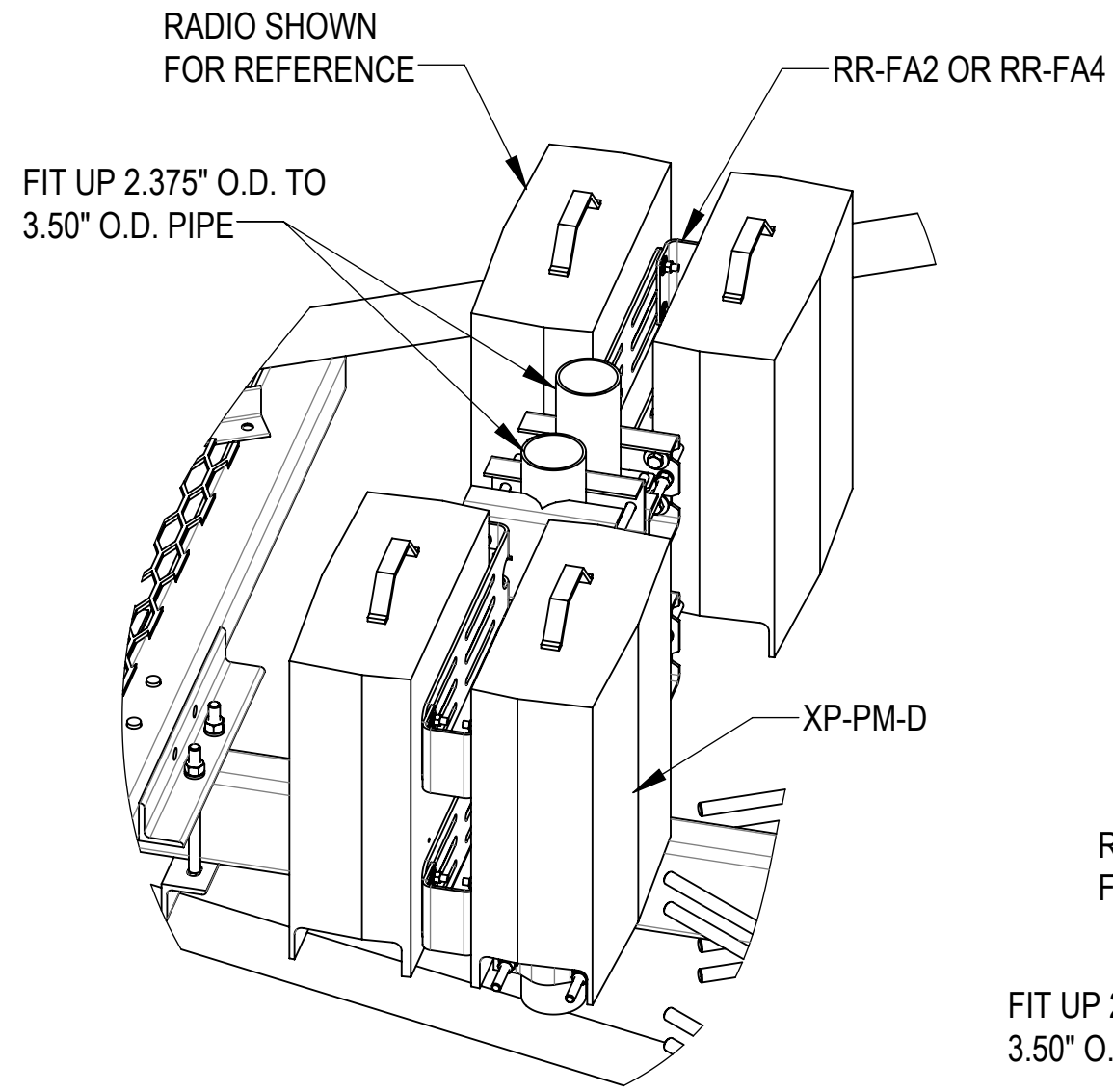
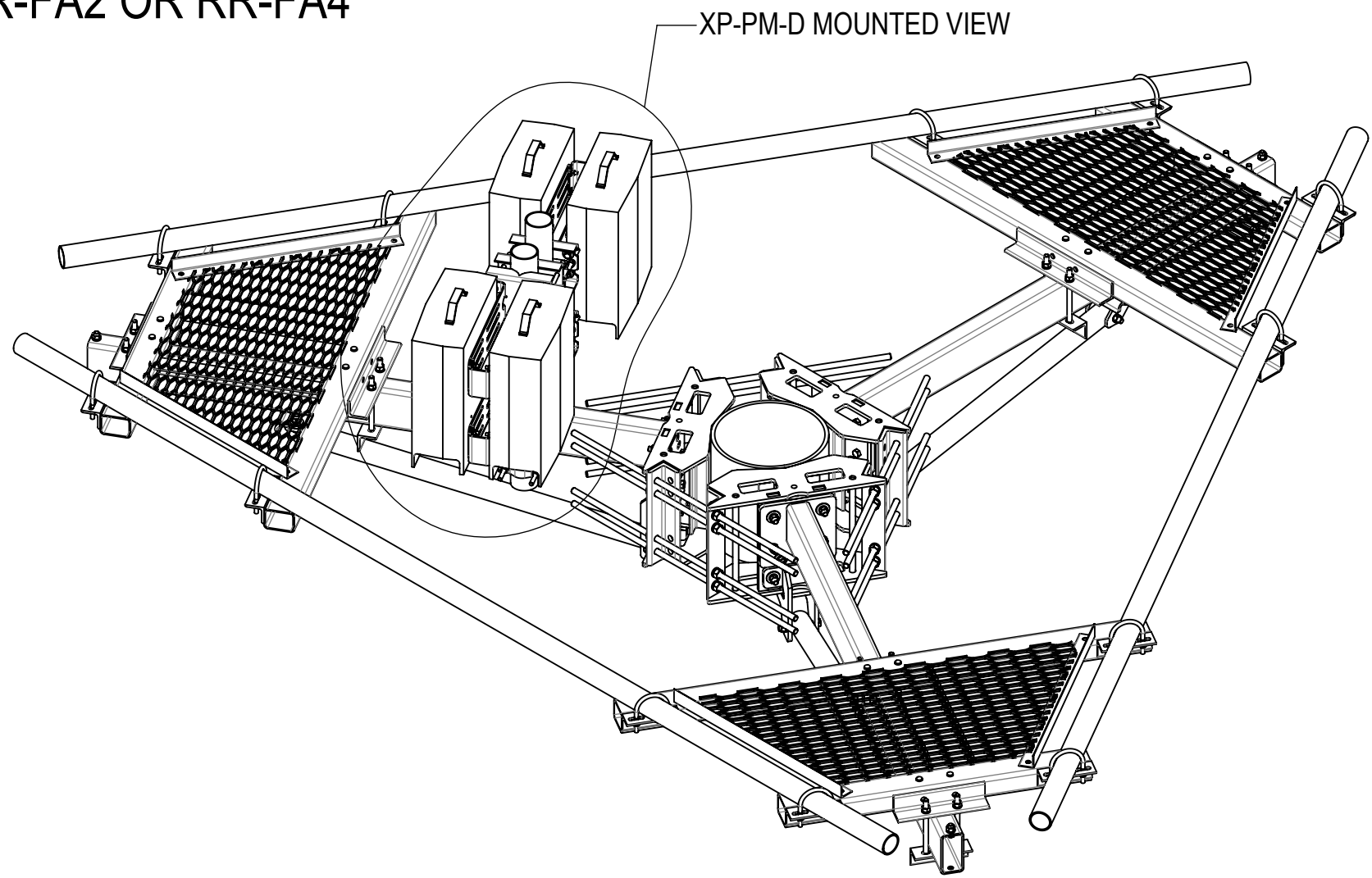
1

OPTIONAL ACCESSORIES

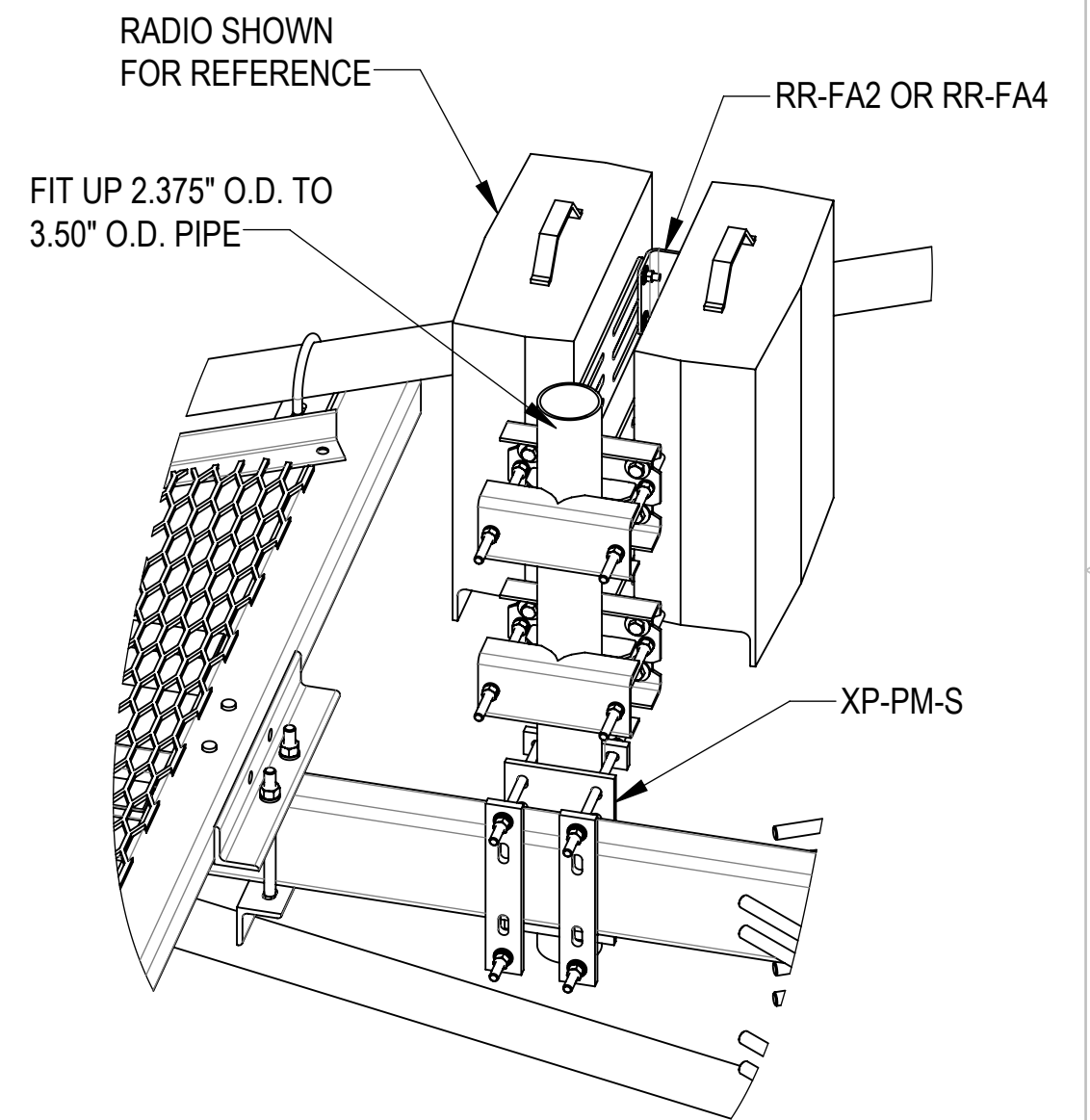
(ALL THE ACCESSORY ITEMS TO BE PURCHASED SEPARATELY)

MP RRU SUPPORT KIT:

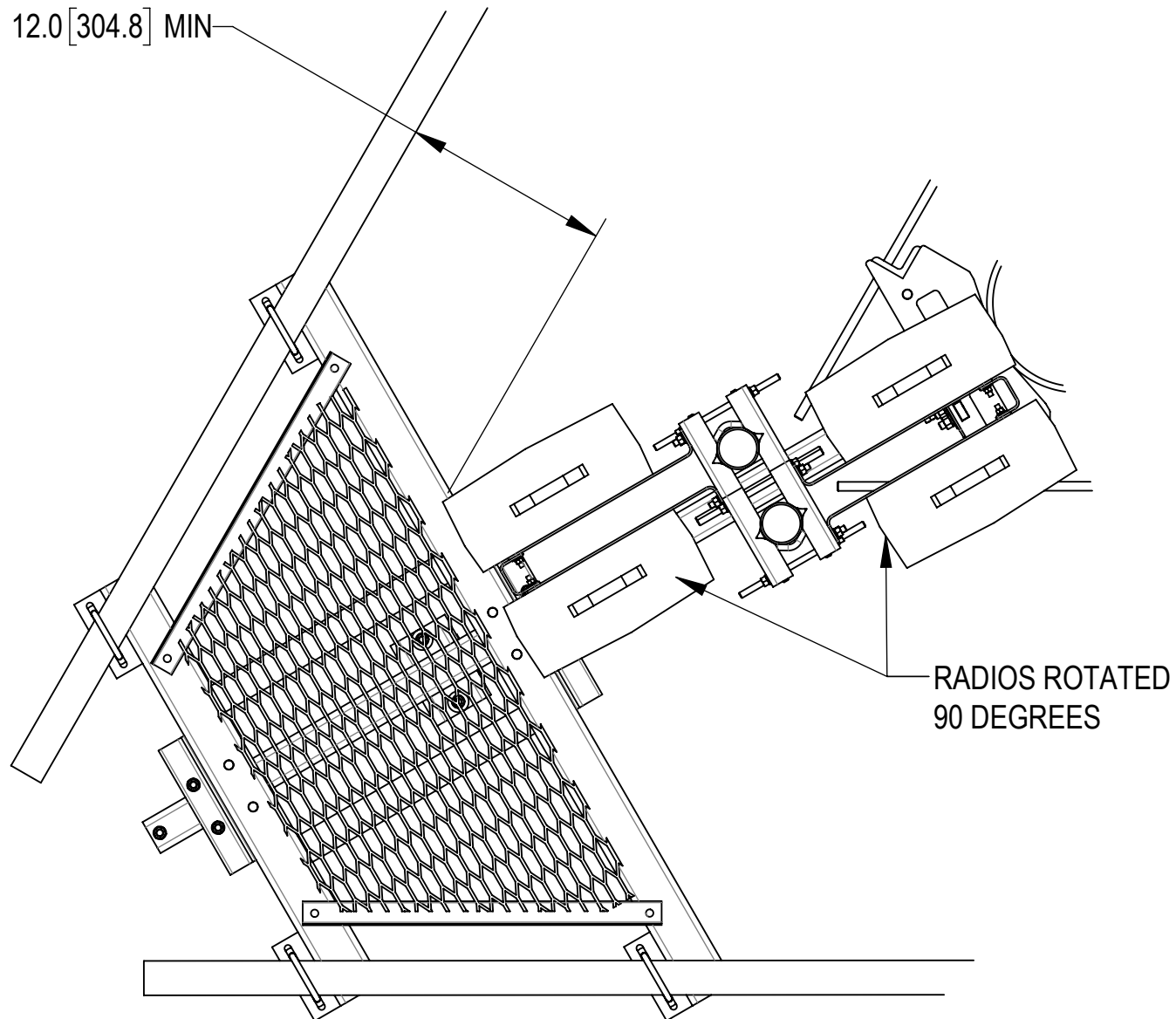
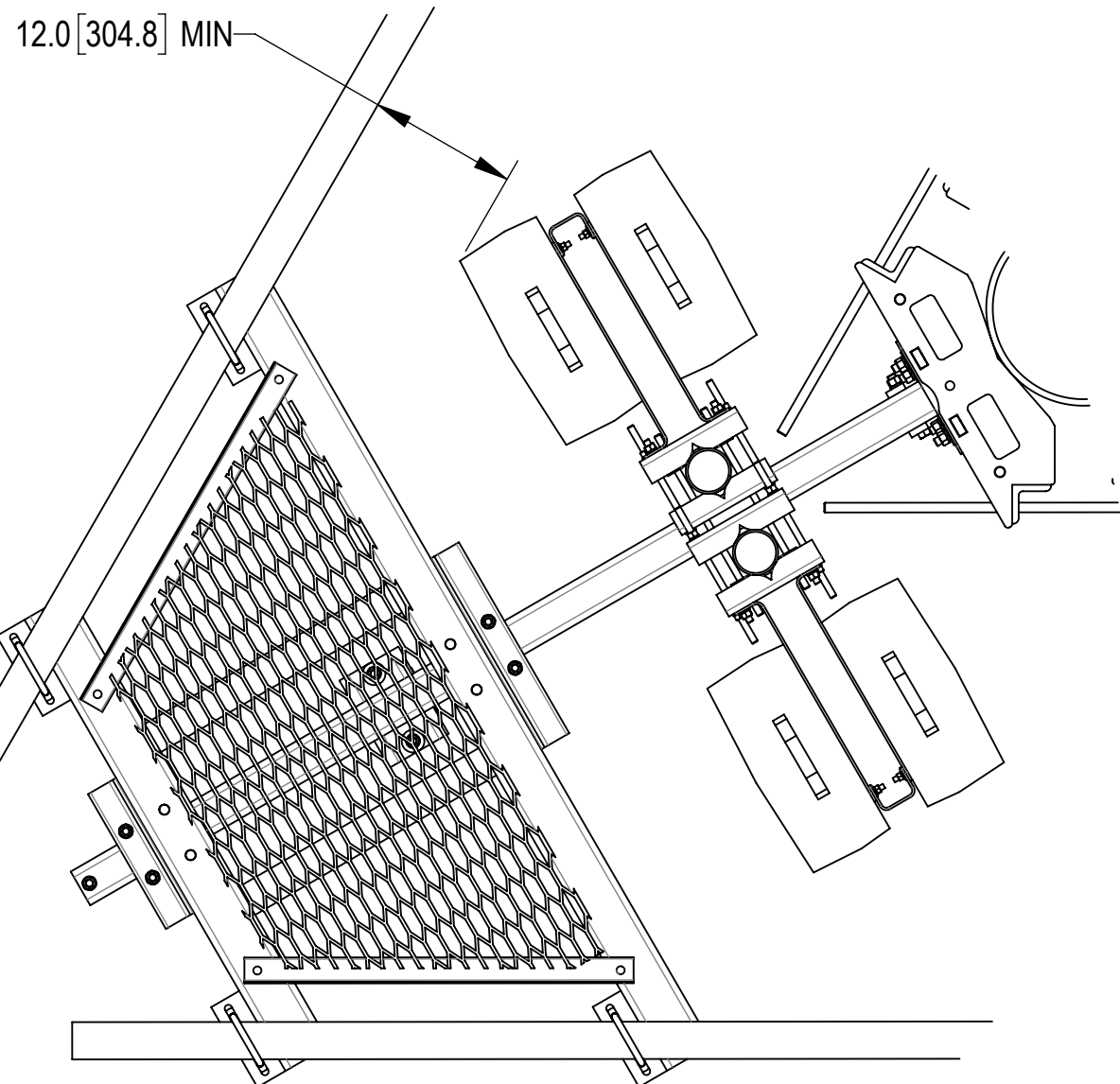
- XP-PM-D
- XP-PM-S
- RR-FA2 OR RR-FA4



(HIDE ONE SIDE OF THE RRU FOR CLARITY)
 DETAIL XP-PM-D MOUNTED VIEW
 SCALE 1 : 10



DETAIL XP-PM-S MOUNTED VIEW
 SCALE 1 : 10



COMMSCOPE, INC. OF NORTH CAROLINA				
TITLE MP,13',3S,(12)2.88"X96"PIPE,W/HR				
SIZE C	SCALE 1:20	DOCUMENT NO. MP-PP13M-12C-96		
		DRAWING		SHEET
		VERSION	STATUS	REVISION
		00	RE	C
				10 OF 10

4

3

2

1